

Strategic Coalitions with Perfect Recall

Pavel Naumov

Department of Computer Science
Vassar College
Poughkeepsie, New York 12604
pnaumov@vassar.edu

Jia Tao

Department of Computer Science
Lafayette College
Easton, Pennsylvania 18042
taoj@lafayette.edu

Abstract

The paper proposes a bimodal logic that describes an interplay between distributed knowledge modality and coalition know-how modality. Unlike other similar systems, the one proposed here assumes perfect recall by all agents. Perfect recall is captured in the system by a single axiom. The main technical results are the soundness and the completeness theorems for the proposed logical system.

Introduction

Autonomous agents such as self-driving cars and robotic vacuum cleaners are facing the challenge of navigating without having complete information about the current situation. Such a setting could be formally captured by an *epistemic transition system* where an agent uses instructions to transition the system between states without being able to distinguish some of these states. In this paper we study properties of strategies in such systems. An example of such a system is the epistemic transition system T_1 , depicted in Figure 1. It has six states named $w_0, w'_0, w_1, w'_1, w_2, w'_2$ and two instructions 0 and 1 that an agent a can use to transition the system from one state to another. For instance, if an instruction 0 is given in state w_0 , then the system transitions into state w_1 . The system is called *epistemic* because the agent cannot distinguish state w_i from state w'_i for each $i = 0, 1, 2$. The indistinguishability relation is shown in the figure using dashed lines. Atomic proposition p is true only in state w_2 .

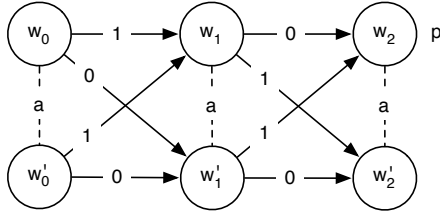


Figure 1: Epistemic Transition System T_1 .

The logical system that we propose consists of two modalities. The first is the knowledge modality K . Imagine that the system starts in state w_2 . Since agent a cannot distinguish state w_2 from state w'_2 where statement p is not satisfied, the agent does not know if p is true or not. We write

this as $(w_2) \not\vdash K_a p$. Next, suppose that the system started in state w_1 and the agent used instruction 0 to transition the system into state w_2 . In this paper we assume that all agents have perfect recall, so in state w_2 the agent remembers *history* $(w_1, 0, w_2)$. However, such a history is indistinguishable from history $(w'_1, 0, w'_2)$ because the agent cannot distinguish state w_1 from state w'_1 and state w_2 from state w'_2 . Thus, the agent does not know that proposition p is true in the state w_2 even with history $(w_1, 0, w_2)$. We denote this by $(w_1, 0, w_2) \not\vdash K_a p$. Finally, assume that the system started in state w_0 and the agent first used instruction 1 to transition it into state w_1 and later instruction 0 to transition it to state w_2 . Thus, the history of the system is $(w_0, 1, w_1, 0, w_2)$. The only history that the agent cannot distinguish from this one is history $(w'_0, 1, w'_1, 0, w'_2)$. Since both of these histories end in a state where proposition p is satisfied, agent a *does* know that proposition p is true in state w_2 , given history $(w_0, 1, w_1, 0, w_2)$. We write this as $(w_0, 1, w_1, 0, w_2) \vdash K_a p$.

The other modality that we consider is the strategic power. In system T_1 , the agent can transition the system from state w_1 to state w_2 by using instruction 0. Similarly, the agent can transition the system from state w'_1 to state w_2 by using instruction 1. In other words, given either history (w_1) or history (w'_1) the agent can transition the system to a state in which atomic proposition p is satisfied. We say that, given either history, agent a has a *strategy* to achieve p . Histories (w_1) and (w'_1) are the only histories indistinguishable by agent a from history (w_1) . Since she has a strategy to achieve p under all histories indistinguishable from history (w_1) , we say that given history (w_1) the agent *knows that she has a strategy*. Similarly, given history (w'_1) , she also knows that she has a strategy. However, since indistinguishable histories (w_1) and (w'_1) require different strategies to achieve p , given history (w_1) she *does not know what the strategy is*. We say that she does not have a know-how strategy. We denote this by $(w_1) \not\vdash H_a p$, where H stands for know-How. Of course, it is also true that $(w'_1) \not\vdash H_a p$.

The situation changes if the transition system starts in state w_0 instead of state w_1 and transitions to state w_1 under instruction 1. Now the history is $(w_0, 1, w_1)$ and the histories that the agent cannot distinguish from this one are history $(w'_0, 1, w'_1)$ and history $(w_0, 1, w_1)$ itself. Given both of these two histories, agent a can achieve p using the same

transition 0. Thus, $(w_0, 1, w_1) \Vdash H_a p$.

Finally note that there are only two histories: (w_0) and (w'_0) indistinguishable from (w_0) . Given either history, agent a can achieve $H_a p$ using instruction 1. Thus, $(w_0) \Vdash H_a H_a p$. That is, given history (w_0) agent a knows how to transition to a state in which formula $H_a p$ is satisfied.

Multiagent Systems Like many other autonomous agents, self-driving cars are expected to use vehicle-to-vehicle communication to share traffic information and to coordinate actions (Harding et al. 2014). Thus, it is natural to consider epistemic transition systems that have more than one agent. An example of such a system T_2 is depicted in Figure 2. This

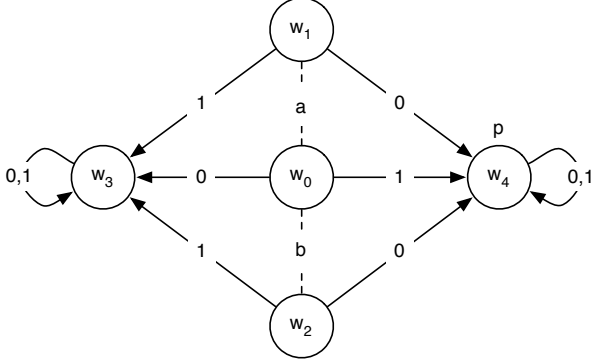


Figure 2: Epistemic Transition System T_2 .

system has five epistemic states: w_0, w_1, w_2, w_3 , and w_4 and three agents: a, b , and c . In each state the agents vote either 0 or 1 and the system transitions into the next state based on the majority vote. For example, since the directed edge from state w_0 to state w_4 is labelled with 1, if the majority of agents in state w_0 votes 1, then the system transitions into state w_4 . Since coalition $\{a, b\}$ forms a majority, this coalition has a strategy to transition the system from state w_0 to state w_4 and, thus, to achieve p . Note that agent a cannot distinguish state w_0 from state w_1 and thus agent a does not know what she should vote for to achieve p . Similarly, agent b also does not know what she should vote for to achieve p because she cannot distinguish state w_0 from state w_2 . In this paper, we assume that members of a coalition make the decisions based on combined (distributed) knowledge of the whole coalition. In our example, coalition $\{a, b\}$ can distinguish state w_0 from both state w_1 and state w_2 . Thus, given history (w_0) the coalition $\{a, b\}$ knows how to achieve p . We denote this by $(w_0) \Vdash H_{\{a,b\}} p$, or simply as $(w_0) \Vdash H_{a,b} p$.

Universal Principles We have discussed a statement being true or false given a certain history. This paper focuses on the logical principles that are true for each history in each epistemic transition system. An example of such a principle is the *strategic positive introspection*: $H_C \varphi \rightarrow K_C H_C \varphi$. This principle says that if a coalition knows how to achieve φ , then the coalition knows that it knows how to achieve φ . Informally, this principle is true because in order for statement $H_C \varphi$ to be satisfied for a given history h , coalition C must have a strategy to achieve φ that works under any

history h' indistinguishable from history h by the coalition. Thus, the same strategy must work for any history h'' indistinguishable from history h' by the coalition. In other words, it is also true that $h' \Vdash H_C \varphi$. Recall that h' is an arbitrary history indistinguishable from history h by coalition C . Hence, $h \Vdash K_C H_C \varphi$ according to the standard semantics of the epistemic modality K_C . A similar argument can be used to justify the *strategic negative introspection*: $\neg H_C \varphi \rightarrow K_C \neg H_C \varphi$.

Another universal principle is the *empty coalition* principle: $K_\emptyset \varphi \rightarrow H_\emptyset \varphi$. Indeed, $K_\emptyset \varphi$ means that statement φ is true under any history indistinguishable from the given history by an empty coalition. Since an empty coalition cannot distinguish any two histories, the assumption $K_\emptyset \varphi$ means that statement φ is true under any history. In particular, this statement is true after the next transition no matter how agents vote. Hence, $H_\emptyset \varphi$.

The epistemic modality K_C also satisfies axioms of epistemic logic S5 for distributed knowledge. Know-how modality satisfies the *unachievability of falsehood* principle: $\neg H_C \perp$, stating that no coalition can achieve \perp . Know-how modality also satisfies a form of *cooperation* principle (Pauly 2001; 2002):

$$H_C(\varphi \rightarrow \psi) \rightarrow (H_D \varphi \rightarrow H_{C \cup D} \psi), \text{ where } C \cap D = \emptyset.$$

Perfect Recall A complete trimodal logical system describing the interplay between distributed knowledge modality K_C , coalition know-how modality H_C , and standard (not know-how) strategic power modality in the *imperfect* recall setting was proposed by (Naumov and Tao 2017b). We provide a complete axiomatization of the interplay between modalities K_C and H_C in the *perfect* recall setting. Surprisingly, the assumption of perfect recall by all agents is captured by a single principle that we call the *perfect recall* principle: $H_D \varphi \rightarrow H_D K_C \varphi$, where $D \subseteq C \neq \emptyset$. This principle says that if a sub-coalition $D \subseteq C$ can achieve φ , then after the vote the whole coalition will know that φ is true. Informally, this principle is true because coalition C is able to recall how sub-coalition D voted and, thus, will deduce that formula φ is true after the transition. As an empty coalition has no memory even in the perfect recall setting, it is essential for coalition C to be nonempty. However, the sub-coalition D can be empty.

Literature Review Non-epistemic logics of coalition power were developed by (Pauly 2001; 2002), who also proved the completeness of the basic logic of coalition power. His approach has been widely studied in the literature (Goranko 2001; van der Hoek and Wooldridge 2005; Borgo 2007; Sauro et al. 2006; Ågotnes et al. 2010; Ågotnes, van der Hoek, and Wooldridge 2009; Belardinelli 2014; Goranko, Jamroga, and Turrini 2013). An alternative logical system for coalition power was proposed by (More and Naumov 2012).

(Alur, Henzinger, and Kupferman 2002) introduced Alternating-Time Temporal Logic (ATL) that combines temporal and coalition modalities. (van der Hoek and Wooldridge 2003) proposed to combine ATL with epistemic modality to form Alternating-Time Temporal Epis-

temic Logic. They did not prove the completeness theorem for the proposed logical system. Aminof, Murano, Rubin and Zuleger (Aminof et al. 2016) studied model-checking problems of an extension of ATL with epistemic and “prompt eventually” modal operators.

(Ågotnes and Alechina 2012) proposed a complete logical system that combines the coalition power and epistemic modalities. Since their system does not have epistemic requirements on strategies, it does not contain any axioms describing the interplay of these modalities. In the extended version, (Ågotnes and Alechina 2016) added a complete axiomatization of an interplay between single-agent knowledge and know-how modalities.

Know-how strategies were studied before under different names. While (Jamroga and Ågotnes 2007) talked about “knowledge to identify and execute a strategy”, (Jamroga and van der Hoek 2004) discussed “difference between an agent knowing that he has a suitable strategy and knowing the strategy itself”. (van Benthem 2001) called such strategies “uniform”. (Broersen 2008) investigated a related notion of “knowingly doing”, while (Broersen, Herzig, and Troquard 2009) studied modality “know they can do”. (Wang 2015; 2016) captured the “knowing how” as a binary modality in a complete logical system with a single agent and without the knowledge modality.

Coalition know-how strategies for enforcing a condition indefinitely were investigated by (Naumov and Tao 2017a). Such strategies are similar to (Pauly 2001, p. 80) “goal maintenance” strategies in “extended coalition logic”. A similar complete logical system in a *single-agent* setting for know-how strategies to achieve a goal in multiple steps rather than to maintain a goal is developed by (Fervari et al. 2017).

(Naumov and Tao 2017b) also proposed a complete trimodal logical system describing an interplay between distributed knowledge modality K_C , coalition know-how modality H_C , and standard (not know-how) strategic power modality in the *imperfect* recall setting.

In this paper we provide a complete axiomatization of an interplay between modalities K_C and H_C in the *perfect* recall setting. The main challenge in proving the completeness, compared to (Ågotnes and Alechina 2016; Fervari et al. 2017; Naumov and Tao 2017b; 2017a), is the need to construct not only “possible worlds”, but the entire “possible histories”, see the proof of Lemma 22.

Outline The rest of the paper is organized as follows. First, we introduce the syntax and semantics of our logical system. Next, we list the axioms and give examples of proofs in the system. Then, we prove the soundness and the completeness of this system.

Syntax and Semantics

Throughout the rest of the paper we assume a fixed set of agents \mathcal{A} . By X^Y we denote the set of all functions from set Y to set X , or in other words, the set of all tuples of elements from set X indexed by the elements of set Y . If $t \in X^Y$ is such a tuple and $y \in Y$, then by $(t)_y$ we denote the y -th component of tuple t .

We now proceed to describe the formal syntax and semantics of our logical system starting with the definition of a transition system. Although our introductory examples used voting to decide on the next state of the system, in this paper we investigate universal properties of an arbitrary nondeterministic action aggregation mechanism.

Definition 1 A tuple $(W, \{\sim_a\}_{a \in \mathcal{A}}, V, M, \pi)$ is called an *epistemic transition system*, if

1. W is a set of epistemic states,
2. \sim_a is an indistinguishability equivalence relation on W for each $a \in \mathcal{A}$,
3. V is a nonempty set called domain of choices,
4. $M \subseteq W \times V^{\mathcal{A}} \times W$ is an aggregation mechanism,
5. π is a function that maps propositional variables into subsets of W .

For example, in the transition system T_1 depicted in Figure 1, the set of states W is $\{w_0, w_1, w_2, w'_0, w'_1, w'_2\}$ and relation \sim_a is a transitive reflexive closure of $\{(w_0, w'_0), (w_1, w'_1), (w_2, w'_2)\}$.

Informally, an epistemic transition system is *regular* if there is at least one next state for each outcome of the vote.

Definition 2 An epistemic transition system $(W, \{\sim_a\}_{a \in \mathcal{A}}, V, M, \pi)$ is *regular* if for each $w \in W$ and each $\mathbf{s} \in V^{\mathcal{A}}$, there is $w' \in W$ such that $(w, \mathbf{s}, w') \in M$.

A *coalition* is a subset of \mathcal{A} . A *strategy profile* of coalition C is any tuple in the set V^C .

Definition 3 For any states $w_1, w_2 \in W$ and any coalition C , let $w_1 \sim_C w_2$ if $w_1 \sim_a w_2$ for each agent $a \in C$.

Lemma 1 For each coalition C , relation \sim_C is an equivalence relation on the set of epistemic states W . \square

Definition 4 For all strategy profiles \mathbf{s}_1 and \mathbf{s}_2 of coalitions C_1 and C_2 respectively and any coalition $C \subseteq C_1 \cap C_2$, let $\mathbf{s}_1 =_C \mathbf{s}_2$ if $(\mathbf{s}_1)_a = (\mathbf{s}_2)_a$ for each $a \in C$.

Lemma 2 For any coalition C , relation $=_C$ is an equivalence relation on the set of all strategy profiles of coalitions containing coalition C . \square

Definition 5 A *history* is an arbitrary sequence $h = (w_0, \mathbf{s}_1, w_1, \mathbf{s}_2, w_2, \dots, \mathbf{s}_n, w_n)$ such that $n \geq 0$ and

1. $w_i \in W$ for each $i \leq n$,
2. $\mathbf{s}_i \in V^{\mathcal{A}}$ for each $i \leq n$,
3. $(w_i, \mathbf{s}_{i+1}, w_{i+1}) \in M$ for each $i < n$.

In this paper we assume that votes of all agents are private. Thus, an individual agent only knows her own votes and the equivalence classes of the states that the system has been at. This is formally captured in the following definition of indistinguishability of histories by an agent.

Definition 6 For any history $h = (w_0, \mathbf{s}_1, w_1, \dots, \mathbf{s}_n, w_n)$, any history $h' = (w'_0, \mathbf{s}'_1, w'_1, \dots, \mathbf{s}'_m, w'_m)$, and any agent $a \in \mathcal{A}$, let $h \approx_a h'$ if $n = m$ and

1. $w_i \sim_a w'_i$ for each $i \leq n$,
2. $(\mathbf{s}_i)_a = (\mathbf{s}'_i)_a$ for each $i \leq n$.

Definition 7 For any histories h_1, h_2 and any coalition C , let $h_1 \approx_C h_2$ if $h_1 \approx_a h_2$ for each agent $a \in C$.

Lemma 3 For any coalition C , relation \approx_C is an equivalence relation on the set of histories. \square

The length $|h|$ of a history $h = (w_0, s_1, w_1, \dots, s_n, w_n)$ is the value of n . By Definition 7, the empty coalition cannot distinguish any two histories, even of different lengths.

Lemma 4 $|h_1| = |h_2|$ for each histories h_1 and h_2 such that $h_1 \approx_C h_2$ for some nonempty coalition C . \square

For any sequence $x = x_1, \dots, x_n$ and an element y , by sequence $x :: y$ we mean x_1, \dots, x_n, y . If sequence x is nonempty, then by $hd(x)$ we mean element x_n .

Lemma 5 If $(h_1 :: s_1 :: w_1) \approx_C (h_2 :: s_2 :: w_2)$, then $h_1 \approx_C h_2$, $s_1 =_C s_2$, and $w_1 \sim_C w_2$. \square

Definition 8 Let Φ be the language specified as follows $\varphi := p \mid \neg\varphi \mid \varphi \rightarrow \varphi \mid K_C\varphi \mid H_C\varphi$, where $C \subseteq \mathcal{A}$.

Boolean constants \perp and \top are defined as usual.

Definition 9 For any history h of an epistemic transition system $(W, \{\sim_a\}_{a \in \mathcal{A}}, V, M, \pi)$ and any formula $\varphi \in \Phi$, let satisfiability relation $h \Vdash \varphi$ be defined as follows

1. $h \Vdash p$ if $hd(h) \in \pi(p)$ and p is a propositional variable,
2. $h \Vdash \neg\varphi$ if $h \not\Vdash \varphi$,
3. $h \Vdash \varphi \rightarrow \psi$ if $h \not\Vdash \varphi$ or $h \Vdash \psi$,
4. $h \Vdash K_C\varphi$ if $h' \Vdash \varphi$ for each history h' s.t. $h \approx_C h'$,
5. $h \Vdash H_C\varphi$ if there is a strategy profile $s \in V^C$ such that for any history $h' :: s' :: w'$, if $h \approx_C h'$ and $s =_C s'$, then $h' :: s' :: w' \Vdash \varphi$.

Axioms

In addition to propositional tautologies in language Φ , our logical system consists of the following axioms:

1. Truth: $K_C\varphi \rightarrow \varphi$,
2. Negative Introspection: $\neg K_C\varphi \rightarrow K_C\neg K_C\varphi$,
3. Distributivity: $K_C(\varphi \rightarrow \psi) \rightarrow (K_C\varphi \rightarrow K_C\psi)$,
4. Monotonicity: $K_C\varphi \rightarrow K_D\varphi$, if $C \subseteq D$,
5. Strategic Positive Introspection: $H_C\varphi \rightarrow K_C H_C\varphi$,
6. Cooperation: $H_C(\varphi \rightarrow \psi) \rightarrow (H_D\varphi \rightarrow H_{C \cup D}\psi)$, where $C \cap D = \emptyset$,
7. Empty Coalition: $K_{\emptyset}\varphi \rightarrow H_{\emptyset}\varphi$,
8. Perfect Recall: $H_D\varphi \rightarrow H_D K_C\varphi$, where $D \subseteq C \neq \emptyset$,
9. Unachievability of Falsehood: $\neg H_C\perp$.

We write $\vdash \varphi$ if formula φ is provable from the axioms of our logical system using Necessitation, Strategic Necessitation, and Modus Ponens inference rules:

$$\frac{\varphi}{K_C\varphi} \quad \frac{\varphi}{H_C\varphi} \quad \frac{\varphi, \varphi \rightarrow \psi}{\psi}.$$

We write $X \vdash \varphi$ if formula φ is provable from the theorems of our logical system and a set of additional axioms X using only Modus Ponens inference rule.

The next lemma follows from a well-known observation that the Positive Introspection axiom is provable from the other axioms of S5.

Lemma 6 $\vdash K_C\varphi \rightarrow K_C K_C\varphi$. \square

Proof. Formula $\neg K_C\varphi \rightarrow K_C\neg K_C\varphi$ is an instance of the Negative Introspection axiom. Thus, $\vdash \neg K_C\neg K_C\varphi \rightarrow K_C\varphi$ by the law of contrapositive in the propositional logic. Hence, $\vdash K_C(\neg K_C\neg K_C\varphi \rightarrow K_C\varphi)$ by the Necessitation inference rule. Thus, by the Distributivity axiom and the Modus Ponens inference rule,

$$\vdash K_C\neg K_C\neg K_C\varphi \rightarrow K_C K_C\varphi. \quad (1)$$

At the same time, $K_C\neg K_C\varphi \rightarrow \neg K_C\varphi$ is an instance of the Truth axiom. Thus, $\vdash K_C\varphi \rightarrow \neg K_C\neg K_C\varphi$ by contraposition. Hence, taking into account the following instance of the Negative Introspection axiom $\neg K_C\neg K_C\varphi \rightarrow K_C\neg K_C\neg K_C\varphi$, one can conclude that $\vdash K_C\varphi \rightarrow K_C\neg K_C\neg K_C\varphi$. The latter, together with statement (1), implies the statement of the lemma by the laws of propositional reasoning. \square

Derivation Examples

This section contains examples of formal proofs in our logical system. The results obtained here are used in the proof of completeness. The proof of Lemma 7 is based on the one proposed to us by Natasha Alechina.

Lemma 7 (Alechina) $\vdash \neg H_C\varphi \rightarrow K_C\neg H_C\varphi$.

Proof. By the Positive Strategic Introspection axiom, $\vdash H_C\varphi \rightarrow K_C H_C\varphi$. Thus, $\vdash \neg K_C H_C\varphi \rightarrow \neg H_C\varphi$ by the contrapositive. Hence, $\vdash K_C(\neg K_C H_C\varphi \rightarrow \neg H_C\varphi)$ by the Necessitation inference rule. Then, by the Distributivity axiom and the Modus Ponens inference rule $\vdash K_C\neg K_C H_C\varphi \rightarrow K_C\neg H_C\varphi$. Thus, by the Negative Introspection axiom and the laws of propositional reasoning, $\vdash \neg K_C H_C\varphi \rightarrow K_C\neg H_C\varphi$. Note that $\neg H_C\varphi \rightarrow \neg K_C H_C\varphi$ is the contrapositive of the Truth axiom. Therefore, by the laws of propositional reasoning, $\vdash \neg H_C\varphi \rightarrow K_C\neg H_C\varphi$. \square

Lemma 8 $\vdash H_C\varphi \rightarrow H_D\varphi$, where $C \subseteq D$.

Proof. Note that $\varphi \rightarrow \varphi$ is a propositional tautology. Thus, $\vdash \varphi \rightarrow \varphi$. Hence, $\vdash H_{D \setminus C}(\varphi \rightarrow \varphi)$ by the Strategic Necessitation inference rule. At the same time, by the Cooperation axiom, $\vdash H_{D \setminus C}(\varphi \rightarrow \varphi) \rightarrow (H_C\varphi \rightarrow H_D\varphi)$ due to the assumption $C \subseteq D$. Therefore, $\vdash H_C\varphi \rightarrow H_D\varphi$ by the Modus Ponens inference rule. \square

Lemma 9 If $\varphi_1, \dots, \varphi_n \vdash \psi$, then

1. $K_C\varphi_1, \dots, K_C\varphi_n \vdash K_C\psi$,
2. $H_{C_1}\varphi_1, \dots, H_{C_n}\varphi_n \vdash H_{\bigcup_{i=1}^n C_i}\psi$, where sets C_1, \dots, C_n are pairwise disjoint.

Proof. To prove the second statement, apply deduction lemma for propositional logic n time. Then, we have $\vdash \varphi_1 \rightarrow (\dots \rightarrow (\varphi_n \rightarrow \psi))$. Thus, by the Strategic Necessitation inference rule, $\vdash H_{\emptyset}(\varphi_1 \rightarrow (\dots \rightarrow (\varphi_n \rightarrow \psi)))$. Hence, $\vdash H_{C_1}\varphi_1 \rightarrow H_{C_1}(\varphi_2 \dots \rightarrow (\varphi_n \rightarrow \psi))$ by the Cooperation axiom and the Modus Ponens inference rule. Then, $H_{C_1}\varphi_1 \vdash H_{C_1}(\varphi_2 \dots \rightarrow (\varphi_n \rightarrow \psi))$ by the Modus

Ponens inference rule. Thus, again by the Cooperation axiom and the Modus Ponens inference rule we have $H_{C_1}\varphi_1 \vdash H_{C_2}\varphi_2 \rightarrow H_{C_1 \cup C_2}(\varphi_3 \cdots \rightarrow (\varphi_n \rightarrow \psi))$. Therefore, by repeating the last two steps $n - 2$ times, $H_{C_1}\varphi_1, \dots, H_{C_n}\varphi_n \vdash H_{\bigcup_{i=1}^n C_i}\psi$. The proof of the first statement is similar, but it uses the Distributivity axiom instead of the Cooperation axiom. \square

Soundness

In this section we prove the following soundness theorem for our logical system.

Theorem 1 *If $\vdash \varphi$, then $h \Vdash \varphi$ for each history of each regular epistemic transition system.*

The proof of the soundness of axioms of epistemic logic S5 with distributed knowledge is standard. Below we prove the soundness of each remaining axiom as a separate lemma.

Lemma 10 *If $h \Vdash H_C\varphi$, then $h \Vdash K_C H_C\varphi$.*

Proof. Due to Definition 9, assumption $h \Vdash H_C\varphi$ implies that there is a strategy profile s_0 of coalition C such that for any history $h' :: s' :: w'$, if $h \approx_C h'$ and $s_0 =_C s'$, then $h' :: s' :: w' \Vdash \varphi$.

Consider any history h'' such that $h \approx_C h''$. By Definition 9, it suffices to show that $h'' \Vdash H_C\varphi$. Furthermore, by the same Definition 9, it suffices to prove that for any history $h''' :: s''' :: w'''$, if $h'' \approx_C h'''$ and $s_0 =_C s'''$, then $h''' :: s''' :: w''' \Vdash \varphi$.

Suppose that $h'' \approx_C h'''$ and $s_0 =_C s'''$. By Lemma 3, statements $h \approx_C h''$ and $h'' \approx_C h'''$ imply that $h \approx_C h'''$. Therefore, $h''' :: s''' :: w''' \Vdash \varphi$ by the choice of s_0 . \square

Lemma 11 *If $h \Vdash H_C(\varphi \rightarrow \psi)$, $h \Vdash H_D\varphi$, and $C \cap D = \emptyset$, then $h \Vdash H_C\psi$.*

Proof. By Definition 9, assumption $h \Vdash H_C(\varphi \rightarrow \psi)$ implies that there is a strategy profile s_1 of coalition C such that for any history $h' :: s' :: w'$, if $h \approx_C h'$ and $s_1 =_C s'$, then $h' :: s' :: w' \Vdash \varphi \rightarrow \psi$.

Similarly, assumption $h \Vdash H_D\varphi$ implies that there is a profile s_2 of coalition D such that for any history $h' :: s' :: w'$, if $h \approx_D h'$ and $s_2 =_D s'$, then $h' :: s' :: w' \Vdash \varphi$.

Consider strategy profile s of coalition $C \cup D$ such that

$$(s)_a = \begin{cases} (s_1)_a, & \text{if } a \in C, \\ (s_2)_a, & \text{if } a \in D. \end{cases}$$

Strategy profile s is well-defined because coalitions C and D are disjoint. By Definition 9, it suffices to show that for any history $h' :: s' :: w'$, if $h \approx_{C \cup D} h'$ and $s =_{C \cup D} s'$, then $h' :: s' :: w' \Vdash \psi$.

Suppose that $h \approx_{C \cup D} h'$ and $s =_{C \cup D} s'$. Then, $h \approx_C h'$ and $s_1 =_C s =_{C \cup D} s'$. Hence, $h' :: s' :: w' \Vdash \varphi \rightarrow \psi$ by the choice of strategy s_1 . Similarly, $h' :: s' :: w' \Vdash \varphi$. Therefore, $h' :: s' :: w' \Vdash \psi$ by Definition 9. \square

Lemma 12 *If $h \Vdash K_{\emptyset}\varphi$, then $h \Vdash H_{\emptyset}\varphi$.*

Proof. Let $s \in V^{\emptyset}$ be the empty tuple. By Definition 9, it suffices to show that for any history $h' :: s' :: w'$ we have $h' :: s' :: w' \Vdash \varphi$. Definition 7 implies $h \approx_{\emptyset} (h' :: s' :: w')$. Thus, $h' :: s' :: w' \Vdash \varphi$ by Definition 9 and $h \Vdash K_{\emptyset}\varphi$. \square

Lemma 13 *If $h \Vdash H_D\varphi$, then $h \Vdash H_D K_C\varphi$, where $D \subseteq C$ and $C \neq \emptyset$.*

Proof. By Definition 9, assumption $h \Vdash H_D\varphi$ implies that there is a strategy profile s of coalition D such that for any history $h' :: s' :: w'$, if $h \approx_D h'$ and $s =_D s'$, then $h' :: s' :: w' \Vdash \varphi$.

Consider any history $h_1 :: s_1 :: w_1$ such that $h \approx_D h_1$ and $s =_D s_1$. By Definition 9, it suffices to prove that $h_1 :: s_1 :: w_1 \Vdash K_C\varphi$. Let h_2 be any such history that $(h_1 :: s_1 :: w_1) \approx_C h_2$. Again by Definition 9, it suffices to prove that $h_2 \Vdash \varphi$.

By Lemma 4, assumptions $(h_1 :: s_1 :: w_1) \approx_C h_2$ and $C \neq \emptyset$ imply that $|h_2| = |h_1 :: s_1 :: w_1| \geq 1$. Thus, $h_2 = h'_2 :: s'_2 :: w'_2$ for some history h'_2 , some complete strategy profile s'_2 , and some epistemic state w'_2 .

Then, $(h'_2 :: s'_2 :: w'_2) = h_2 \approx_C (h_1 :: s_1 :: w_1)$. Hence, $h_1 \approx_C h'_2$ and $s_1 =_C s'_2$ by Lemma 5. Hence, $h \approx_D h_1 \approx_C h'_2$ and $s =_D s_1 =_C s'_2$ by the choice of history $h_1 :: s_1 :: w_1$. Then, $h \approx_D h'_2$ and $s =_D s'_2$ by Lemma 3, Lemma 2, and because $D \subseteq C$. Thus, $h'_2 :: s'_2 :: w'_2 \Vdash \varphi$ by the choice of strategy profile s . Therefore, $h_2 \Vdash \varphi$, because $(h'_2 :: s'_2 :: w'_2) = h_2$. \square

Lemma 14 *$h \not\Vdash H_C\perp$ for any history h of any regular epistemic transition system.*

Proof. Suppose $h \Vdash H_C\perp$. By Definition 9, there is a strategy profile $s \in V^C$ such that for any history $h' :: s' :: w'$, if $h \approx_C h'$ and $s =_C s'$, then $h' :: s' :: w' \Vdash \perp$.

By Definition 1, set V contains at least one element v_0 . Let s' be a complete strategy profile such that

$$(s')_a = \begin{cases} (s)_a, & \text{if } a \in C, \\ v_0, & \text{otherwise.} \end{cases} \quad (2)$$

By Definition 2, there is an epistemic state $w' \in S$ such that $(hd(h), s', w') \in M$. Thus, $h :: s' :: w'$ is a history by Definition 5. Note that $h \approx_C h$ by Lemma 3 and $s =_C s'$ due to equation (2). Thus, $h :: s' :: w' \Vdash \perp$ by the choice of strategy profile s , which contradicts Definition 9 and the definition of \perp . \square

This concludes the proof of Theorem 1.

Completeness

In the rest of this paper we focus on the completeness theorem for our logical system with respect to the class of regular epistemic transition systems. We start the proof of completeness by fixing a maximal consistent set of formulae X_0 and defining a canonical epistemic transition system $ETS(X_0) = (W, \{\sim_a\}_{a \in \mathcal{A}}, \Phi, M, \pi)$ using the ‘‘unraveling’’ technique (Sahlqvist 1975). Note that the domain of choices in the canonical model is the set of all formulae Φ .

Canonical Epistemic Transition System

Definition 10 The set of epistemic states W consists of all sequences $X_0, C_1, X_1, \dots, C_n, X_n$, such that $n \geq 0$ and

1. X_i is a maximal consistent subset of Φ for each $i \geq 1$,
2. $C_i \subseteq \mathcal{A}$ for each $i \geq 1$,
3. $\{\varphi \mid K_{C_i}\varphi \in X_{i-1}\} \subseteq X_i$, for each $i \geq 1$.

Definition 11 Suppose that $w = X_0, C_1, X_1, \dots, C_n, X_n$ and $w' = X_0, C'_1, X'_1, \dots, C'_m, X'_m$ are epistemic states. For any agent $a \in \mathcal{A}$, let $w \sim_a w'$ if there is a non-negative integer $k \leq \min\{n, m\}$ such that

1. $X_i = X'_i$ for each i such that $0 < i \leq k$,
2. $C_i = C'_i$ for each i such that $0 < i \leq k$,
3. $a \in C_i$ for each i such that $k < i \leq n$,
4. $a \in C'_i$ for each i such that $k < i \leq m$.

Lemma 15 For any epistemic state $X_0, C_1, \dots, C_n, X_n$ and any integer $k \leq n$, if $K_C\varphi \in X_n$ and $C \subseteq C_i$ for each integer i such that $k < i \leq n$, then $K_C\varphi \in X_k$.

Proof. Suppose $K_C\varphi \notin X_k$ for some $k \leq n$. Let m be the maximal such k . Note that $m < n$ by the assumption $K_C\varphi \in X_n$ of the lemma. Thus, $m < m+1 \leq n$.

Assumption $K_C\varphi \notin X_m$ implies $\neg K_C\varphi \in X_m$ by the maximality of the set X_m . Hence, $X_m \vdash K_C\neg K_C\varphi$ by the Negative Introspection axiom. Thus, $X_m \vdash K_{C_{m+1}}\neg K_C\varphi$ by the Monotonicity axiom and the assumption $C \subseteq C_{m+1}$ of the lemma (recall that $m+1 \leq n$). Then, $K_{C_{m+1}}\neg K_C\varphi \in X_m$ due to the maximality of the set X_m . Hence, $\neg K_C\varphi \in X_{m+1}$ by Definition 10. Thus, $K_C\varphi \notin X_{m+1}$ due to the consistency of the set X_{m+1} , which contradicts the choice of m . \square

Lemma 16 For any epistemic state $X_0, C_1, \dots, C_n, X_n$ and any integer $k \leq n$, if $K_C\varphi \in X_k$ and $C \subseteq C_i$ for each integer i such that $k < i \leq n$, then $\varphi \in X_n$.

Proof. We prove the lemma by induction on the distance between n and k . In the base case $n = k$. Then the assumption $K_C\varphi \in X_n$ implies $X_n \vdash \varphi$ by the Truth axiom. Therefore, $\varphi \in X_n$ due to the maximality of set X_n .

Suppose that $k < n$. Assumption $K_C\varphi \in X_k$ implies $X_k \vdash K_C K_C\varphi$ by Lemma 6. Thus, $X_k \vdash K_{C_{k+1}} K_C\varphi$ by the Monotonicity axiom, the condition $k < n$ of the inductive step, and the assumption $C \subseteq C_{k+1}$ of the lemma. Then, $K_{C_{k+1}} K_C\varphi \in X_k$ by the maximality of set X_k . Hence, $K_C\varphi \in X_{k+1}$ by Definition 10. Therefore, $\varphi \in X_n$ by the induction hypothesis. \square

Lemma 17 For any epistemic states $w, w' \in W$ such that $w \sim_C w'$, if $K_C\varphi \in hd(w)$, then $\varphi \in hd(w')$.

Proof. The statement of the lemma follows from Lemma 15 and Lemma 16 as well as Definition 11 because there is a unique path between any two nodes in a tree. \square

Next, we specify the aggregation mechanism of the canonical epistemic transition system. Informally, if a coalition has a know-how strategy to achieve φ and all members

of the coalition vote for φ , then φ must be true after the transition.

Definition 12 For any states $w, w' \in W$ and any complete strategy profile $\mathbf{s} \in \Phi^{\mathcal{A}}$, let $(w, \mathbf{s}, w') \in M$ if

$$\{\varphi \mid (H_D\varphi \in hd(w)) \wedge \forall a \in D((\mathbf{s})_a = \varphi)\} \subseteq hd(w').$$

Definition 13 $\pi(p) = \{w \in W \mid p \in hd(w)\}$.

This concludes the definition of the canonical epistemic transition system $ETS(X_0) = (W, \{\sim_a\}_{a \in \mathcal{A}}, \Phi, M, \pi)$. We prove that this system is regular in Lemma 25.

K-child Lemmas The following technical results (Lemmas 18–22) about the knowledge modality K are used in the proof of completeness.

Lemma 18 For any epistemic state $w \in W$ if $\neg K_C\varphi \in hd(w)$, then there is an epistemic state $w' \in W$ such that $w \sim_C w'$ and $\neg\varphi \in hd(w')$.

Proof. Consider the set $X = \{\neg\varphi\} \cup \{\psi \mid K_C\psi \in hd(w)\}$. First, we show that set X is consistent. Assume the opposite. Then, there exist formulae $K_C\psi_1, \dots, K_C\psi_n \in hd(w)$ such that $\psi_1, \dots, \psi_n \vdash \varphi$. Thus, $K_C\psi_1, \dots, K_C\psi_n \vdash K_C\varphi$ by Lemma 9. Therefore, $hd(w) \vdash K_C\varphi$ by the choice of formulae $K_C\psi_1, \dots, K_C\psi_n$, which contradicts the consistency of the set $hd(w)$ due to the assumption $\neg K_C\varphi \in hd(w)$.

Let \hat{X} be a maximal consistent extension of set X and let w' be sequence $w :: C :: X$. Note that $w' \in W$ by Definition 10 and the choice of set X . Furthermore, $w \sim_C w'$ by Definition 11. To finish the proof, note that $\neg\varphi \in X \subseteq \hat{X} = hd(w')$ by the choice of set X . \square

History h is a sequence whose last element $hd(h)$ is an epistemic state. Epistemic state $hd(h)$, by Definition 10, is also a sequence. Expression $hd(hd(h))$ denotes the last element of the sequence $hd(h)$.

Lemma 19 For any history h , if $K_C\varphi \in hd(hd(h))$, then $\varphi \in hd(hd(h'))$ for each history h' such that $h \approx_C h'$.

Proof. Assumption $h \approx_C h'$ by Definition 6 implies that $hd(h) \sim_C hd(h')$. Therefore, $\varphi \in hd(hd(h'))$ by Lemma 17 and the assumption $K_C\varphi \in hd(hd(h))$. \square

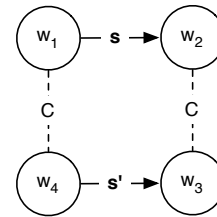


Figure 3: Illustration for Lemma 20.

Lemma 20 For any nonempty coalition C , any states $w_1, w_2, w_3 \in W$, and any complete strategy profile \mathbf{s} such that $(w_1, \mathbf{s}, w_2) \in M$ and $w_2 \sim_C w_3$, see Figure 3, there is a state w_4 and a complete strategy profile \mathbf{s}' such that $w_1 \sim_C w_4$, $(w_4, \mathbf{s}', w_3) \in M$, and $\mathbf{s} =_C \mathbf{s}'$.

Proof. Let s' be a complete strategy profile such that

$$(s')_a = \begin{cases} (s)_a, & \text{if } a \in C, \\ \perp, & \text{otherwise.} \end{cases} \quad (3)$$

Consider the set of formulae

$$X = \{\varphi \mid K_C \varphi \in hd(w_1)\} \cup \{\neg H_D \psi \mid \neg \psi \in hd(w_3) \wedge \forall a \in D((s')_a = \psi)\}.$$

First, we show that set X is consistent. Indeed, set

$$\{\neg H_D \psi \mid \neg \psi \in hd(w_3) \wedge \forall a \in D((s')_a = \psi)\}$$

is equal to the union of the following two sets

$$\{\neg H_D \psi \mid \neg \psi \in hd(w_3) \wedge D \subseteq C \wedge \forall a \in D((s')_a = \psi)\}, \\ \{\neg H_D \psi \mid \neg \psi \in hd(w_3) \wedge D \not\subseteq C \wedge \forall a \in D((s')_a = \psi)\}.$$

The second set is a subset of $\{\neg H_D \perp \mid D \subseteq \mathcal{A}\}$ by the choice of strategy s' , see (3). Thus, set X is a subset of

$$\{\varphi \mid K_C \varphi \in hd(w_1)\} \cup \{\neg H_D \perp \mid D \subseteq \mathcal{A}\} \cup \{\neg H_D \psi \mid \neg \psi \in hd(w_3) \wedge D \subseteq C \wedge \forall a \in D((s')_a = \psi)\}.$$

Hence, by the Unachievability of Falsehood axiom, to show the consistency of set X it suffices to prove the consistency of the union of the set $\{\varphi \mid K_C \varphi \in hd(w_1)\}$ and the set

$$\{\neg H_D \psi \mid \neg \psi \in hd(w_3) \wedge D \subseteq C \wedge \forall a \in D((s')_a = \psi)\}.$$

Suppose the opposite. In other words, assume that there are

$$\text{formulae } K_C \varphi_1, \dots, K_C \varphi_n \in hd(w_1), \quad (4)$$

$$\text{formulae } \neg \psi_1, \dots, \neg \psi_m \in hd(w_3), \quad (5)$$

$$\text{and sets } D_1, \dots, D_m \subseteq C, \quad (6)$$

$$\text{such that } \forall i \leq m \forall a \in D_i ((s')_a = \psi_i), \quad (7)$$

$$\text{and } \varphi_1, \dots, \varphi_n, \neg H_{D_1} \psi_1, \dots, \neg H_{D_m} \psi_m \vdash \perp.$$

By Lemma 9 and the Truth axiom,

$$K_C \varphi_1, \dots, K_C \varphi_n, K_C \neg H_{D_1} \psi_1, \dots, K_C \neg H_{D_m} \psi_m \vdash \perp.$$

Hence, statement (4) and the consistency of the set $hd(w_1)$ imply that there exists $k \leq m$ such that $K_C \neg H_{D_k} \psi_k \notin hd(w_1)$. Thus, $\neg K_C \neg H_{D_k} \psi_k \in hd(w_1)$ due to the maximality of the set $hd(w_1)$. Then, $\neg K_{D_k} \neg H_{D_k} \psi_k \in hd(w_1)$ by statement (6) and the contrapositive of the Monotonicity axiom. Then, $hd(w_1) \vdash H_{D_k} \psi_k$ by the contrapositive of Lemma 7. Thus, $hd(w_1) \vdash H_{D_k} K_C \psi_k$ by the Perfect Recall axiom, statement (6), and the assumption of the lemma that $C \neq \emptyset$. Hence, $H_{D_k} K_C \psi_k \in hd(w_1)$ due to the maximality of the set $hd(w_1)$. Note that statements (3) and (6) imply $s =_{D_k} s'$. Then, $(s)_a = \psi_k$ for each agent $a \in D_k$ by statement (7). Thus, $K_C \psi_k \in hd(w_2)$ by assumption $(w_1, s, w_2) \in M$, statement (6), and Definition 12. Hence, $\psi_k \in hd(w_3)$ by the assumption $w_2 \sim_C w_3$ of the lemma and Lemma 17. This contradicts statement (5) and the consistency of the set $hd(w_3)$. Therefore, set X is consistent.

Let \hat{X} be any maximal consistent extension of set X . Define w_4 to be the sequence $w_1 :: C :: \hat{X}$. Note that $w_4 \in W$ by Definition 10 and the choice of set X . At the same time, $w_1 \sim_C w_4$ by Definition 11 and Definition 3.

Finally, let us show that $(w_4, s', w_3) \in M$ using Definition 12. Consider any $D \subseteq \mathcal{A}$ and any $H_D \psi \in hd(w_4) = \hat{X}$ such that $s'(a) = \psi$ for each $a \in D$. We need to show that $\psi \in hd(w_3)$. Suppose the opposite. Then, $\neg \psi \in hd(w_3)$ by the maximality of set $hd(w_3)$. Thus, $\neg H_D \psi \in X$ by the choice of set X . Hence, $\neg H_D \psi \in X \subseteq \hat{X}$. Therefore, $H_D \psi \notin \hat{X}$ due to the consistency of set \hat{X} , which contradicts the choice of formula $H_D \psi$. \square

Lemma 21 For any history h , if $K_{\emptyset} \varphi \notin hd(h)$, then there is a history h' s.t. $h \approx_{\emptyset} h'$ and $\neg \varphi \in hd(h')$.

Proof. By Lemma 18, there is a state $w \in W$ such that $hd(h) \sim_C w$ and $\neg \varphi \in hd(w)$. Let h' be a one-element sequence w . Note that $h \approx_{\emptyset} h'$ by Definition 7. Finally, $\neg \varphi \in hd(w) = hd(h')$. \square

Lemma 22 For any nonempty coalition C and any history h , if $K_C \varphi \notin hd(h)$, then there is a history h' such that $h \approx_C h'$ and $\neg \varphi \in hd(h')$.

Proof. Let $h = (w_0, s_1, w_1, \dots, s_n, w_n)$. We prove the lemma by induction on integer n .

Base Case. Let $n = 0$. By Lemma 18, there is $w'_0 \in W$ such that $w_0 \sim_C w'_0$ and $\neg \varphi \in hd(w'_0)$. Let h' be a one-element sequence w'_0 . Note that $w_0 \sim_C w'_0$ implies that $h \approx_C h'$ by Definition 6. Also, $\neg \varphi \in hd(w'_0) = hd(h')$.

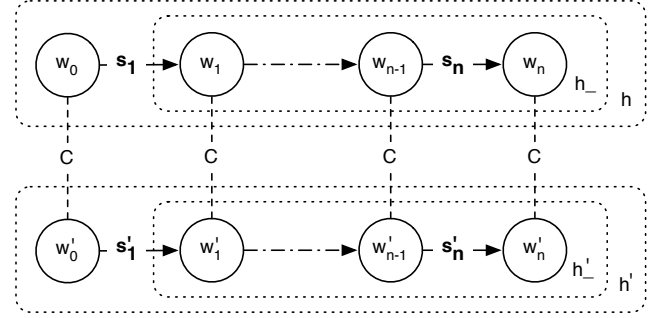


Figure 4: Histories h and h' .

Induction Step. Let $h_- = (w_1, s_2, \dots, s_n, w_n)$, see Figure 4. By Definition 5, sequence h_- is a history. By the induction hypothesis there is a history h'_- such that $h_- \approx_C h'_-$ and $\neg \varphi \in hd(h'_-)$. Let $h'_- = (w'_1, s'_2, \dots, s'_n, w'_n)$. By Lemma 20, there is a state w'_0 and a complete strategy profile s'_1 such that $w_0 \sim_C w'_0$, $(w'_0, s'_1, w'_1) \in M$, and $s_1 =_C s'_1$.

Define $h' = (w'_0, s'_1, w'_1, s'_2, \dots, s'_n, w'_n)$. By Definition 5, statement $(w'_0, s'_1, w'_1) \in M$ implies that h' is a history. Note that $h \approx_C h'$ by Definition 6 because $h'_- \approx_C h_-$, $w_0 \sim_C w'_0$, and $s_1 =_C s'_1$. Finally, $\neg \varphi \in hd(h')$ because $hd(h') = hd(h'_-)$ and $\neg \varphi \in hd(h'_-)$. \square

H-child Lemmas Lemmas 23 and 24 are about the knowledge modality H. They are used later in the proof.

Lemma 23 For any history h , if $H_C\varphi \in hd(hd(h))$, then there is a strategy profile s of coalition C s.t. for any history $h' :: s' :: w'$ if $h \approx_C h'$ and $s =_C s'$, then $\varphi \in hd(w')$.

Proof. Consider a strategy profile s of coalition C such that $(s)_a = \varphi$ for each agent $a \in C$. Suppose that $H_C\varphi \in hd(hd(h))$ and sequence $h' :: s' :: w'$ is a history such that $h \approx_C h'$ and $s =_C s'$. It suffices to show that $\varphi \in hd(w')$.

By the Strategic Positive Introspection axiom, assumption $H_C\varphi \in hd(hd(h))$ implies $hd(hd(h)) \vdash K_C H_C\varphi$. Thus, $K_C H_C\varphi \in hd(hd(h))$ by the maximality of set $hd(hd(h))$.

Assumption $h \approx_C h'$ implies $hd(h) \sim_C hd(h')$ by Definition 6. Thus, $H_C\varphi \in hd(hd(h'))$ by Lemma 17 and because $K_C H_C\varphi \in hd(hd(h))$.

By Definition 5, assumption that sequence $h' :: s' :: w'$ is a history implies that $(hd(h'), s', w') \in M$. Thus, $\varphi \in hd(w')$ by Definition 12 because $H_C\varphi \in hd(hd(h'))$ and $(s')_a = (s)_a = \varphi$ for each agent $a \in C$. \square

Lemma 24 For any history h and any strategy profile s of a coalition C , if $\neg H_C\varphi \in hd(hd(h))$, then there is a history $h' :: s' :: w'$ such that $s =_C s'$ and $\neg\varphi \in hd(w')$.

Proof. Let $w = hd(h)$. Consider a complete strategy profile s' and a set of formulae X such that

$$(s')_a = \begin{cases} (s)_a, & \text{if } a \in C, \\ \top, & \text{otherwise,} \end{cases} \quad (8)$$

$$\text{and } X = \{\neg\varphi\} \cup \{\chi \mid K_{\emptyset}\chi \in hd(w)\} \cup \{\psi \mid H_D\psi \in hd(w) \wedge \forall a \in D((s')_a = \psi)\}.$$

First, we show that set X is consistent. Indeed, note that set $\{\psi \mid H_D\psi \in hd(w) \wedge \forall a \in D((s')_a = \psi)\}$ is equal to the union of the following two sets

$$\begin{aligned} & \{\psi \mid H_D\psi \in hd(w) \wedge D \subseteq C \wedge \forall a \in D((s')_a = \psi)\}, \\ & \{\psi \mid H_D\psi \in hd(w) \wedge D \not\subseteq C \wedge \forall a \in D((s')_a = \psi)\}. \end{aligned}$$

The second of the two sets is a subset of $\{\top\}$ by the choice (8) of strategy profile s' . Thus, set X is a subset of

$$\begin{aligned} & \{\top\} \cup \{\neg\varphi\} \cup \{\chi \mid K_{\emptyset}\chi \in hd(w)\} \cup \\ & \{\psi \mid H_D\psi \in hd(w) \wedge D \subseteq C \wedge \forall a \in D((s')_a = \psi)\}. \end{aligned}$$

Hence, to show the consistency of set X , it suffices to prove the consistency of the union of $\{\neg\varphi\} \cup \{\chi \mid K_{\emptyset}\chi \in hd(w)\}$ and $\{\psi \mid H_D\psi \in hd(w) \wedge D \subseteq C \wedge \forall a \in D((s')_a = \psi)\}$. Suppose the opposite. In other words, assume there are

$$\text{formulae } K_{\emptyset}\chi_1, \dots, K_{\emptyset}\chi_n \in hd(w) \quad (9)$$

$$\text{and formulae } H_{D_1}\psi_1, \dots, H_{D_m}\psi_m \in hd(w) \quad (10)$$

$$\text{such that } D_1, \dots, D_m \subseteq C, \quad (11)$$

$$\forall i \leq m \forall a \in D_i ((s')_a = \psi_i), \quad (12)$$

and $\chi_1, \dots, \chi_n, \psi_1, \dots, \psi_m \vdash \varphi$. By Lemma 9,

$$H_{\emptyset}\chi_1, \dots, H_{\emptyset}\chi_n, H_{D_1}\psi_1, \dots, H_{D_m}\psi_m \vdash H_{\cup_{i=1}^m D_i}\varphi.$$

Then, by the Empty Coalition axiom,

$$K_{\emptyset}\chi_1, \dots, K_{\emptyset}\chi_n, H_{D_1}\psi_1, \dots, H_{D_m}\psi_m \vdash H_{\cup_{i=1}^m D_i}\varphi.$$

Thus, by Lemma 8 and assumption (11),

$$K_{\emptyset}\chi_1, \dots, K_{\emptyset}\chi_n, H_{D_1}\psi_1, \dots, H_{D_m}\psi_m \vdash H_C\varphi.$$

Hence, $hd(w) \vdash H_C\varphi$ by assumption (9) and assumption (10). Then, $\neg H_C\varphi \notin hd(w)$ due to the consistency of the set $hd(w)$, which contradicts the assumption $\neg H_C\varphi \in hd(w)$ of the lemma. Therefore, set X is consistent.

Let set \hat{X} be a maximal consistent extension of set X and w' be the sequence $w :: \emptyset :: \hat{X}$. Note that $w' \in W$ by Definition 10 and because $\{\chi \mid K_{\emptyset}\chi \in hd(w)\} \subseteq X \subseteq \hat{X} = hd(w')$ by the choice of set X .

Also note that $(w, s', w') \in M$ by Definition 12 and because $\{\psi \mid H_D\psi \in hd(w) \wedge \forall a \in D((s')_a = \psi)\} \subseteq X \subseteq \hat{X} = hd(w')$ by the choice of set X . Thus, $h :: s' :: w'$ is a history by Definition 5.

Finally, $\neg\varphi \in hd(w')$ because $\neg\varphi \in X \subseteq \hat{X} = hd(w')$ by the choice of set X . \square

Lemma 25 The system $ET\mathcal{S}(X_0)$ is regular.

Proof. Let $w \in W$ and $s \in V^A$. By Definition 2, it suffices to show that there is an epistemic state w' such that $(w, s, w') \in M$. Indeed, let history h be a single-element sequence w . Note that $\neg H_A\perp \in hd(w) = hd(hd(h))$ by the Unachievability of Falsehood axiom and due to the maximality of set $hd(w)$. Thus, by Lemma 24, there is a history $h' :: s' :: w'$ such that $s =_A s'$. Hence, $(hd(h), s', w') \in M$ by Definition 5. At the same time, $s =_A s'$ implies that $s = s'$ by Definition 4. Thus, $(hd(h), s, w') \in M$. Therefore, $(w, s, w') \in M$ because $hd(h) = w$. \square

Completeness: Final Steps

Lemma 26 $h \Vdash \varphi$ iff $\varphi \in hd(hd(h))$ for each history h and each formula $\varphi \in \Phi$.

Proof. We prove the statement by induction on the structural complexity of formula φ . If φ is an atomic proposition p , then $h \Vdash p$ iff $hd(h) \in \pi(p)$, by Definition 9. Hence, $h \Vdash p$ iff $p \in hd(hd(h))$ by Definition 13.

The cases when formula φ is a negation or an implication follow from Definition 9 and the maximality and the consistency of the set $hd(hd(h))$ in the standard way.

Next, suppose that formula φ has the form $K_C\psi$.

(\Rightarrow) : Let $K_C\psi \notin hd(hd(h))$. Then, either by Lemma 21 (when set C is empty) or by Lemma 22 (when set C is nonempty), there is a history h' such that $h \approx_C h'$ and $\neg\psi \in hd(hd(h'))$. Hence, $h' \not\Vdash \psi$ by the induction hypothesis. Therefore, $h \not\Vdash K_C\psi$ by Definition 9.

(\Leftarrow) : Let $h \not\Vdash K_C\psi$. By Definition 9, there is a history h' such that $h \approx_C h'$ and $h' \not\Vdash \psi$. Thus, $\psi \notin hd(hd(h'))$ by the induction hypothesis. Then, $K_C\psi \notin hd(hd(h))$ by Lemma 19.

Finally, let formula φ be of the form $H_C\psi$.

(\Rightarrow) : Assume $h \Vdash H_C\psi$. Then, by Definition 9, there is a strategy profile $s \in \Phi^C$ such that for any history $h' :: s' :: w'$, if $h \approx_C h'$ and $s =_C s'$, then $h' :: s' :: w' \Vdash \psi$. Thus, by Lemma 3,

$$\text{for any history } h :: s' :: w', \text{ if } s =_C s', \text{ then } h :: s' :: w' \Vdash \psi. \quad (13)$$

Suppose that $H_C\psi \notin hd(hd(h))$. Then, $\neg H_C\psi \in hd(hd(h))$ due to the maximality of the set $hd(hd(h))$. Hence, by Lemma 24, there is a history $h :: s' :: w'$ such that $s =_C s'$ and $\neg\psi \in hd(w')$. Thus, $\psi \notin hd(w')$ due to the consistency of set $hd(w')$. Hence, by the induction hypothesis, $h :: s' :: w' \not\models \psi$, which contradicts statement (13). (\Leftarrow): Assume that $H_C\psi \in hd(hd(h))$. By Lemma 23, there is a strategy profile $s \in \Phi^C$ such that for any history $h' :: s' :: w'$ if $h \approx_C h'$ and $s =_C s'$, then $\psi \in hd(w')$. Hence, by the induction hypothesis, for any history $h' :: s' :: w'$ if $h \approx_C h'$ and $s =_C s'$, then $h' :: s' :: w' \models \psi$. Therefore, $h \models H_C\psi$ by Definition 9. \square

Theorem 2 *If $h \models \varphi$ for each history h of each regular epistemic transition system, then $\vdash \varphi$.*

Proof. Suppose that $\not\vdash \varphi$. Consider any maximal consistent set X_0 such that $\neg\varphi \in X_0$. Let h_0 be a single-element sequence consisting of just set X_0 . By Definition 5, sequence h_0 is a history of the canonical epistemic transition system $ETS(X_0)$. Then, $h_0 \models \neg\varphi$ by Lemma 26. Therefore, $h_0 \not\models \varphi$ by Definition 9. \square

Theorem 2 can be generalized to the strong completeness theorem in the standard way. We also believe that the number of states and the domain of choices in the canonical model can be made finite using filtration on subformulae.

Conclusion

We have extended the recent study of the interplay between knowledge and strategic coalition power (Ågotnes and Alechina 2016; Fervari et al. 2017; Naumov and Tao 2017b; 2017a) to the case of perfect recall. Our main results are the soundness and the completeness theorems.

References

Ågotnes, T., and Alechina, N. 2012. Epistemic coalition logic: completeness and complexity. In *Proceedings of the 11th International Conference on Autonomous Agents and Multiagent Systems-Volume 2 (AAMAS)*, 1099–1106. International Foundation for Autonomous Agents and Multiagent Systems.

Ågotnes, T., and Alechina, N. 2016. Coalition logic with individual, distributed and common knowledge. *Journal of Logic and Computation*. exv085.

Ågotnes, T.; Balbiani, P.; van Ditmarsch, H.; and Seban, P. 2010. Group announcement logic. *Journal of Applied Logic* 8(1):62–81.

Ågotnes, T.; van der Hoek, W.; and Wooldridge, M. 2009. Reasoning about coalitional games. *Artificial Intelligence* 173(1):45–79.

Alur, R.; Henzinger, T. A.; and Kupferman, O. 2002. Alternating-time temporal logic. *Journal of the ACM* 49(5):672–713.

Aminof, B.; Murano, A.; Rubin, S.; and Zuleger, F. 2016. Prompt alternating-time epistemic logics. *KR* 16:258–267.

Belardinelli, F. 2014. Reasoning about knowledge and strategies: Epistemic strategy logic. In *Proceedings 2nd*

International Workshop on Strategic Reasoning, SR 2014, Grenoble, France, April 5-6, 2014, volume 146 of *EPTCS*, 27–33.

Borgo, S. 2007. Coalitions in action logic. In *20th International Joint Conference on Artificial Intelligence*, 1822–1827.

Broersen, J.; Herzig, A.; and Troquard, N. 2009. What groups do, can do, and know they can do: an analysis in normal modal logics. *Journal of Applied Non-Classical Logics* 19(3):261–289.

Broersen, J. 2008. *A Logical Analysis of the Interaction between ‘Obligation-to-do’ and ‘Knowingly Doing’*. Berlin, Heidelberg: Springer Berlin Heidelberg. 140–154.

Fervari, R.; Herzig, A.; Li, Y.; and Wang, Y. 2017. Strategically knowing how. In *Proceedings of the Twenty-Sixth International Joint Conference on Artificial Intelligence, IJCAI-17*, 1031–1038.

Goranko, V.; Jamroga, W.; and Turrini, P. 2013. Strategic games and truly playable effectivity functions. *Autonomous Agents and Multi-Agent Systems* 26(2):288–314.

Goranko, V. 2001. Coalition games and alternating temporal logics. In *Proceedings of the 8th conference on Theoretical aspects of rationality and knowledge*, 259–272. Morgan Kaufmann Publishers Inc.

Harding, J.; Powell, G., R.; Yoon, R.; Fikentscher, J.; Doyle, C.; Sade, D.; Lukuc, M.; Simons, J.; and Wang, J. 2014. Vehicle-to-vehicle communications: Readiness of v2v technology for application. Washington, DC: National Highway Traffic Safety Administration. (Report No. DOT HS 812 014).

Jamroga, W., and Ågotnes, T. 2007. Constructive knowledge: what agents can achieve under imperfect information. *Journal of Applied Non-Classical Logics* 17(4):423–475.

Jamroga, W., and van der Hoek, W. 2004. Agents that know how to play. *Fundamenta Informaticae* 63(2-3):185–219.

More, S. M., and Naumov, P. 2012. Calculus of cooperation and game-based reasoning about protocol privacy. *ACM Trans. Comput. Logic* 13(3):22:1–22:21.

Naumov, P., and Tao, J. 2017a. Coalition power in epistemic transition systems. In *Proceedings of the 2017 International Conference on Autonomous Agents and Multiagent Systems (AAMAS)*, 723–731.

Naumov, P., and Tao, J. 2017b. Together we know how to achieve: An epistemic logic of know-how. In *16th conference on Theoretical Aspects of Rationality and Knowledge (TARK), July 24-26, 2017, EPTCS 251*, 441–453.

Pauly, M. 2001. *Logic for Social Software*. Ph.D. Dissertation, Institute for Logic, Language, and Computation.

Pauly, M. 2002. A modal logic for coalitional power in games. *Journal of Logic and Computation* 12(1):149–166.

Sahlqvist, H. 1975. Completeness and correspondence in the first and second order semantics for modal logic. *Studies in Logic and the Foundations of Mathematics* 82:110–143. (Proc. of the 3rd Scandinavian Logic Symposium, Uppsala, 1973).

Sauro, L.; Gerbrandy, J.; van der Hoek, W.; and Wooldridge, M. 2006. Reasoning about action and cooperation. In *Proceedings of the Fifth International Joint Conference on Autonomous Agents and Multiagent Systems, AAMAS '06*, 185–192. New York, NY, USA: ACM.

van Benthem, J. 2001. Games in dynamic-epistemic logic. *Bulletin of Economic Research* 53(4):219–248.

van der Hoek, W., and Wooldridge, M. 2003. Cooperation, knowledge, and time: Alternating-time temporal epistemic logic and its applications. *Studia Logica* 75(1):125–157.

van der Hoek, W., and Wooldridge, M. 2005. On the logic of cooperation and propositional control. *Artificial Intelligence* 164(1):81 – 119.

Wang, Y. 2015. A logic of knowing how. In *Logic, Rationality, and Interaction*. Springer. 392–405.

Wang, Y. 2016. A logic of goal-directed knowing how. *Synthese*.