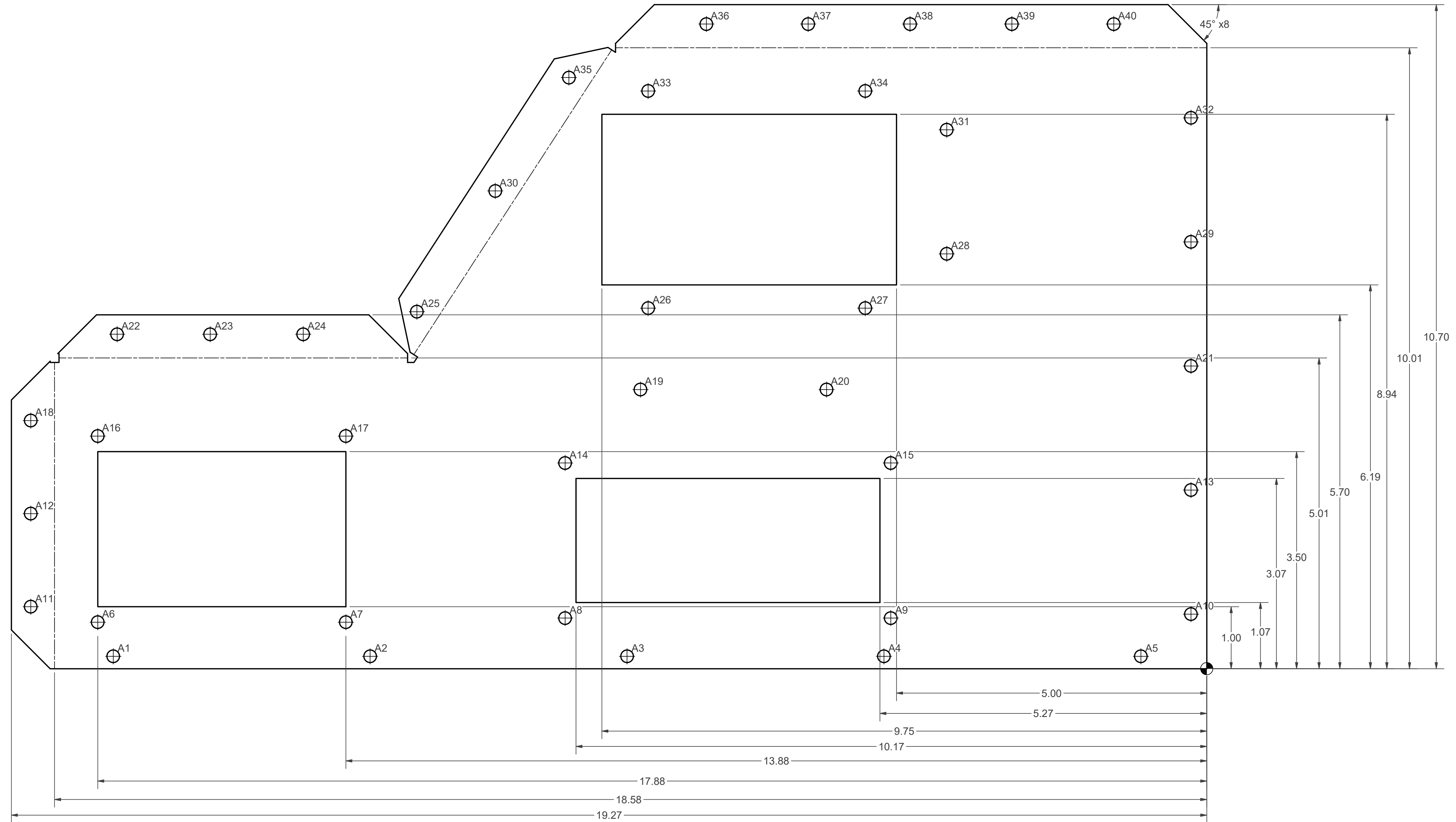


| Hole Table |         |        |             |
|------------|---------|--------|-------------|
| HOLE       | XDIM    | YDIM   | DESCRIPTION |
| A1         | -17.630 | 0.200  | Ø0.20 THRU  |
| A2         | -13.488 | 0.200  | Ø0.20 THRU  |
| A3         | -9.346  | 0.200  | Ø0.20 THRU  |
| A4         | -5.204  | 0.200  | Ø0.20 THRU  |
| A5         | -1.063  | 0.200  | Ø0.20 THRU  |
| A6         | -17.880 | 0.750  | Ø0.20 THRU  |
| A7         | -13.880 | 0.750  | Ø0.20 THRU  |
| A8         | -10.344 | 0.816  | Ø0.20 THRU  |
| A9         | -5.094  | 0.816  | Ø0.20 THRU  |
| A10        | -0.255  | 0.880  | Ø0.20 THRU  |
| A11        | -18.959 | 1.000  | Ø0.20 THRU  |
| A12        | -18.959 | 2.500  | Ø0.20 THRU  |
| A13        | -0.255  | 2.880  | Ø0.20 THRU  |
| A14        | -10.344 | 3.316  | Ø0.20 THRU  |
| A15        | -5.094  | 3.316  | Ø0.20 THRU  |
| A16        | -17.880 | 3.750  | Ø0.20 THRU  |
| A17        | -13.880 | 3.750  | Ø0.20 THRU  |
| A18        | -18.959 | 4.000  | Ø0.20 THRU  |
| A19        | -9.130  | 4.500  | Ø0.20 THRU  |
| A20        | -6.130  | 4.500  | Ø0.20 THRU  |
| A21        | -0.255  | 4.880  | Ø0.20 THRU  |
| A22        | -17.568 | 5.391  | Ø0.20 THRU  |
| A23        | -16.068 | 5.391  | Ø0.20 THRU  |
| A24        | -14.568 | 5.391  | Ø0.20 THRU  |
| A25        | -12.735 | 5.754  | Ø0.20 THRU  |
| A26        | -9.006  | 5.813  | Ø0.20 THRU  |
| A27        | -5.506  | 5.813  | Ø0.20 THRU  |
| A28        | -4.193  | 6.688  | Ø0.20 THRU  |
| A29        | -0.255  | 6.880  | Ø0.20 THRU  |
| A30        | -11.470 | 7.702  | Ø0.20 THRU  |
| A31        | -4.193  | 8.688  | Ø0.20 THRU  |
| A32        | -0.255  | 8.880  | Ø0.20 THRU  |
| A33        | -9.006  | 9.313  | Ø0.20 THRU  |
| A34        | -5.506  | 9.313  | Ø0.20 THRU  |
| A35        | -10.284 | 9.528  | Ø0.20 THRU  |
| A36        | -8.068  | 10.391 | Ø0.20 THRU  |
| A37        | -6.426  | 10.391 | Ø0.20 THRU  |
| A38        | -4.784  | 10.391 | Ø0.20 THRU  |
| A39        | -3.142  | 10.391 | Ø0.20 THRU  |
| A40        | -1.500  | 10.391 | Ø0.20 THRU  |

Press fit a McMaster 94674A510 6-32 press fit nut into all holes from the inside, as secondary process.



|  |                               |                  |                    |
|--|-------------------------------|------------------|--------------------|
| LAFAYETTE COLLEGE<br>ENGINEERING DIVISION                            | Carman Left Side Panel        | DWG #: CMN002_D1 | REV:               |
| TOLERANCE EXCEPT AS NOTED<br>XX .X .XX .XXX<br>±1/32 ±.02 ±.01 ±.005 | PART #: CMN002                | QTY: 1           | DRAWN BY: Jonathan |
|  | PART FILE: RideSidePanel2.ipt | SCALE: 1:1       | Approved by:       |
|  | MATERIAL: 1/16" 3003 Al Sheet | DATE: 3/11/2021  |                    |