

TOP LEVEL

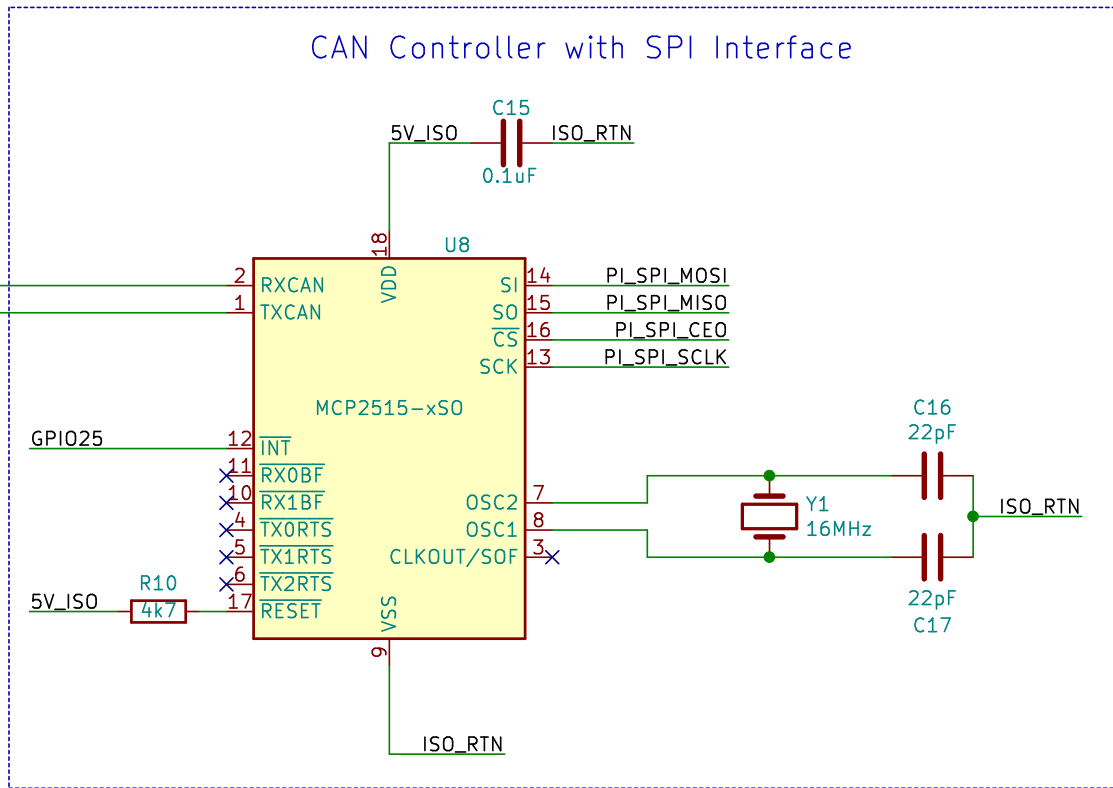
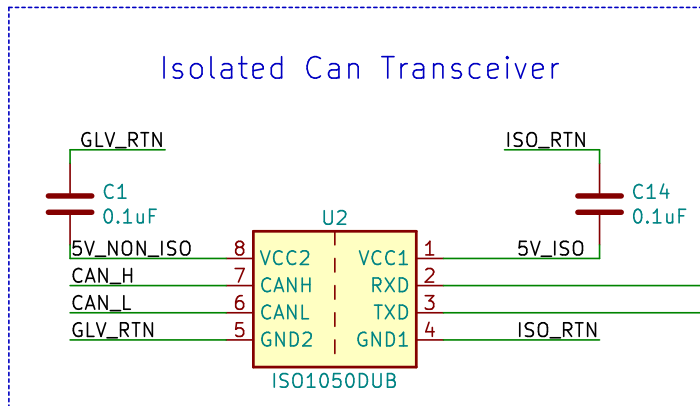
Sheet: /
File: Logic.sch

Title: Logic Board Schematic

Size: A3 Date: Rev: Id: 1/3

KiCad E.D.A. kicad (5.1.6)-1

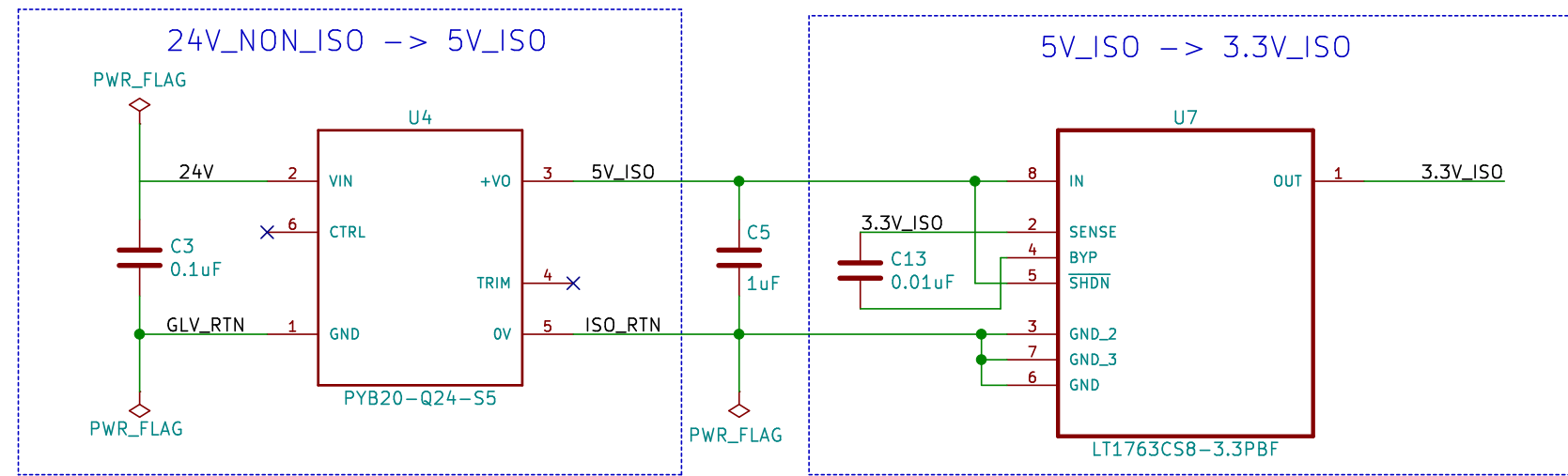
SIGNALS	
NON-ISO	
5V_NON_ISO	5V_NON_ISO
GLV_RTND	GLV_RTND
CAN_HD	CAN_H
CAN_LD	CAN_L
ISO	
5V_ISO	5V_ISO
ISO_RTND	ISO_RTND
GPIO25	GPIO25
PI_SPL_SCLK	PI_SPL_SCLK
PI_SPL_CEO	PI_SPL_CEO
PI_SPL_MISO	PI_SPL_MISO
PI_SPL_MOSI	PI_SPL_MOSI



PiHat & CAN Transceiver

Sheet: /PiHat.sch/		File: PiHat.sch	
Title:			
Size: A4	Date:	Rev:	
KiCad E.D.A. kicad (5.1.6)-1			Id: 2/3

SIGNALS	
NON-ISO	
24V	24V
GLV_RTND	GLV_RTN
ISO	
5V_ISO	5V_ISO
3.3V_ISO	3.3V_ISO
ISO_RTN	ISO_RTN



24V -> 5V_ISO & 3.3V_ISO

Sheet: /LogicPower/		Date:	
File: LogicPower.sch		Rev:	
Title:		Id: 3/3	
Size: A4	KiCad E.D.A. kicad (5.1.6)-1		