



# Cooling Design Review

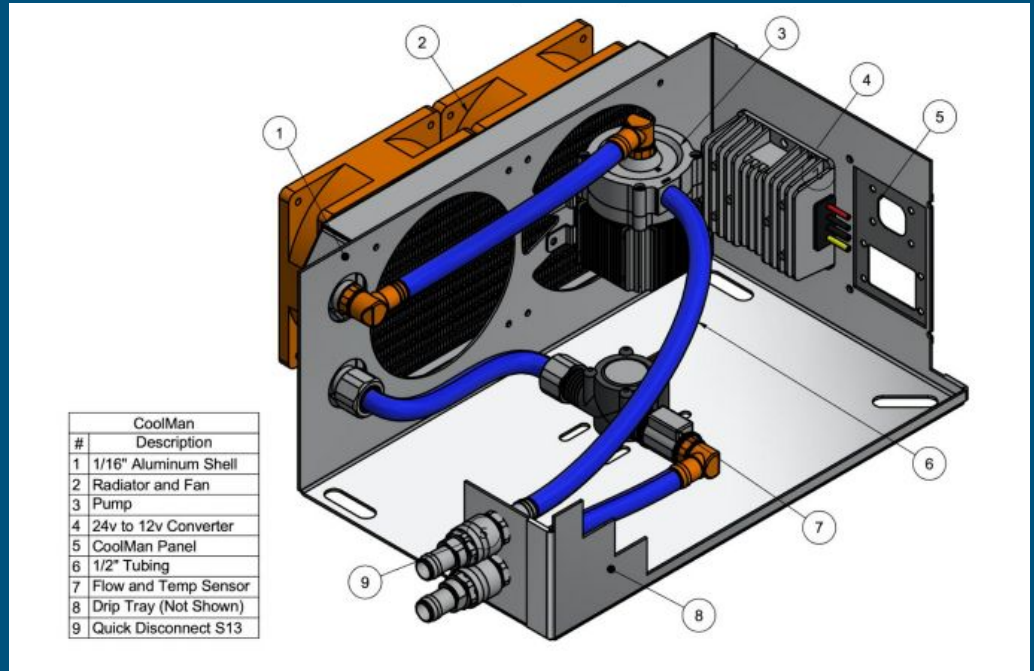
---

Jack Mills & Matthew Eckhart



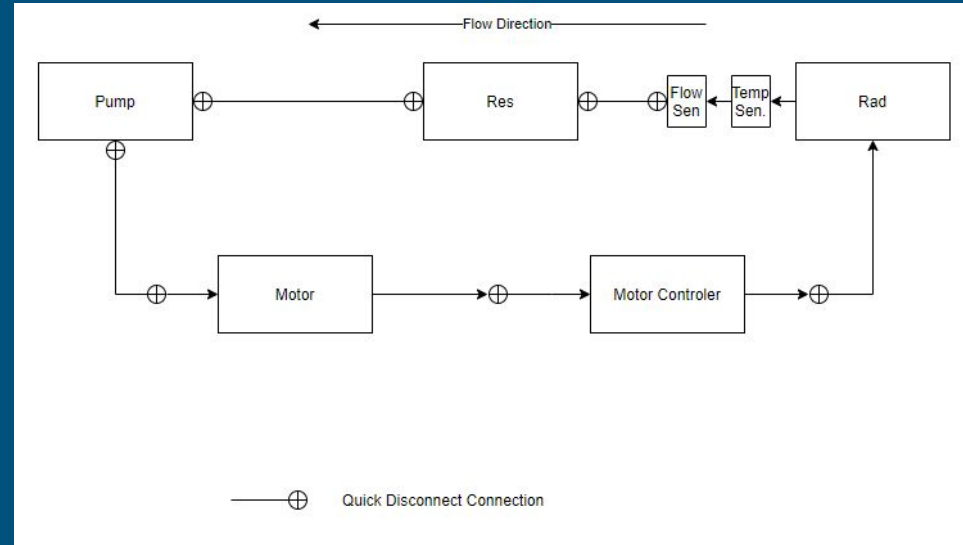
# Identified Concerns

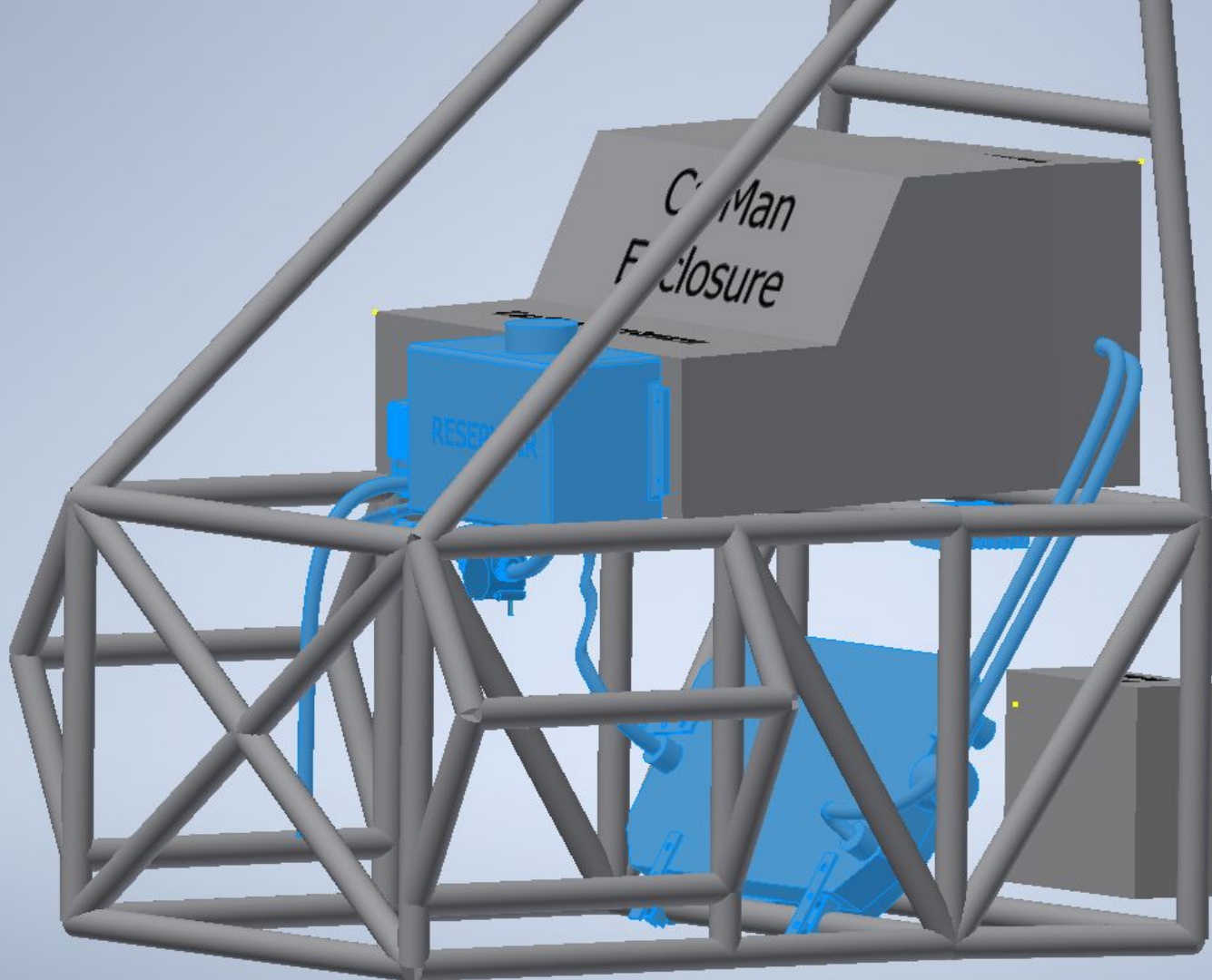
- Mounted directly above main electronics
- Radiator too small?
- Overall heat capacity of system
- Temp sensors mounted on same stretch of cooling line
- No control scheme (always on)

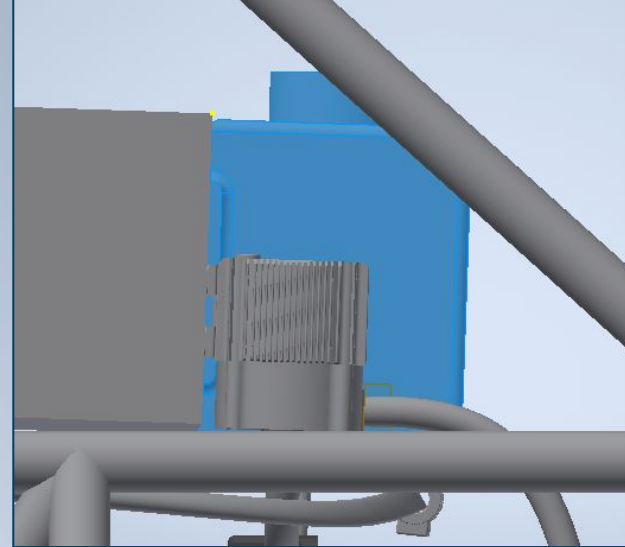
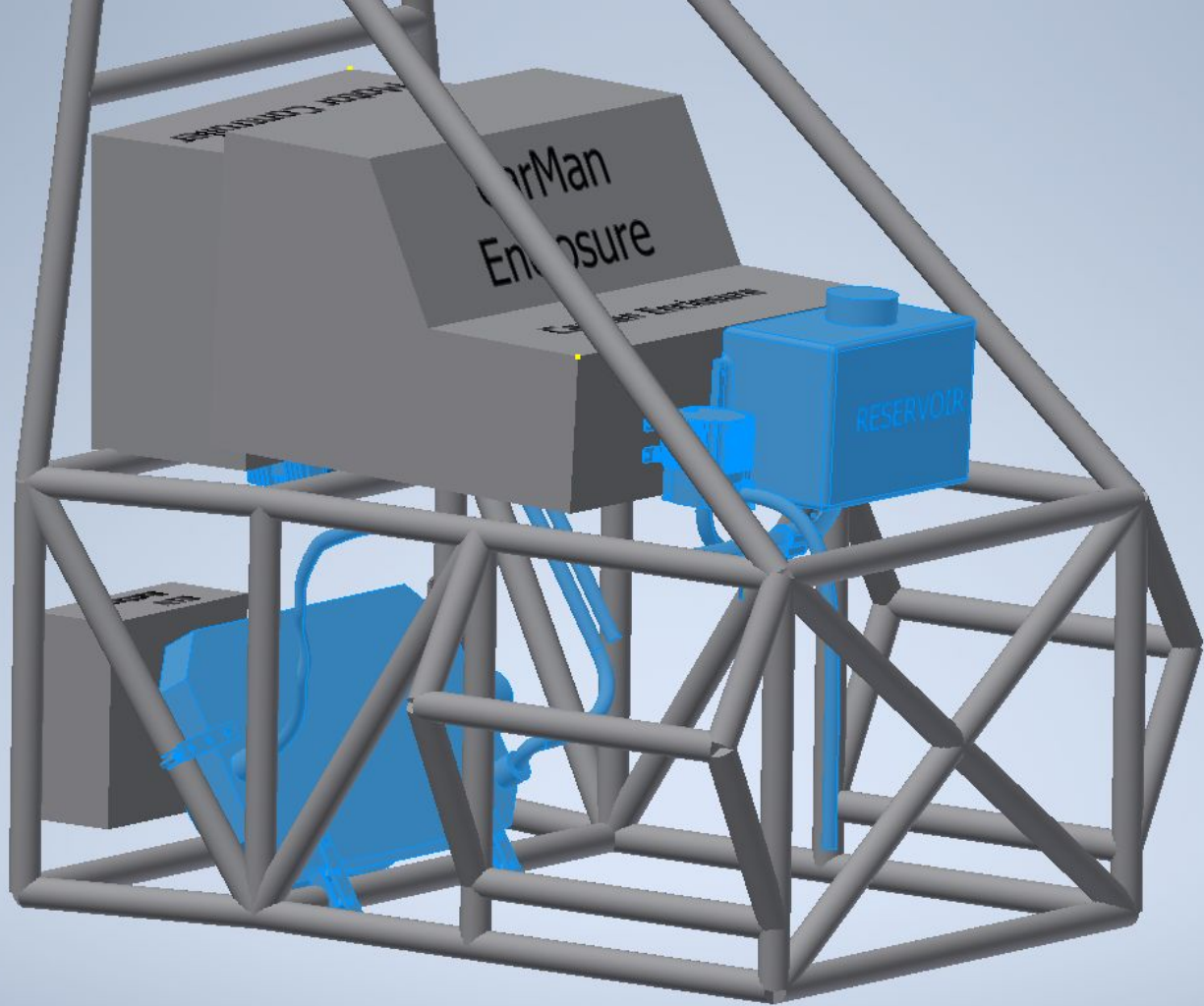


# Solutions

- Increase size of radiator and fan
- Implementation of 2 Qt reservoir
  - Increase time to heat saturation to ~60 seconds
- System components mounted below electronics
- Quick disconnect fittings between major components
- Control scheme planned with TSI





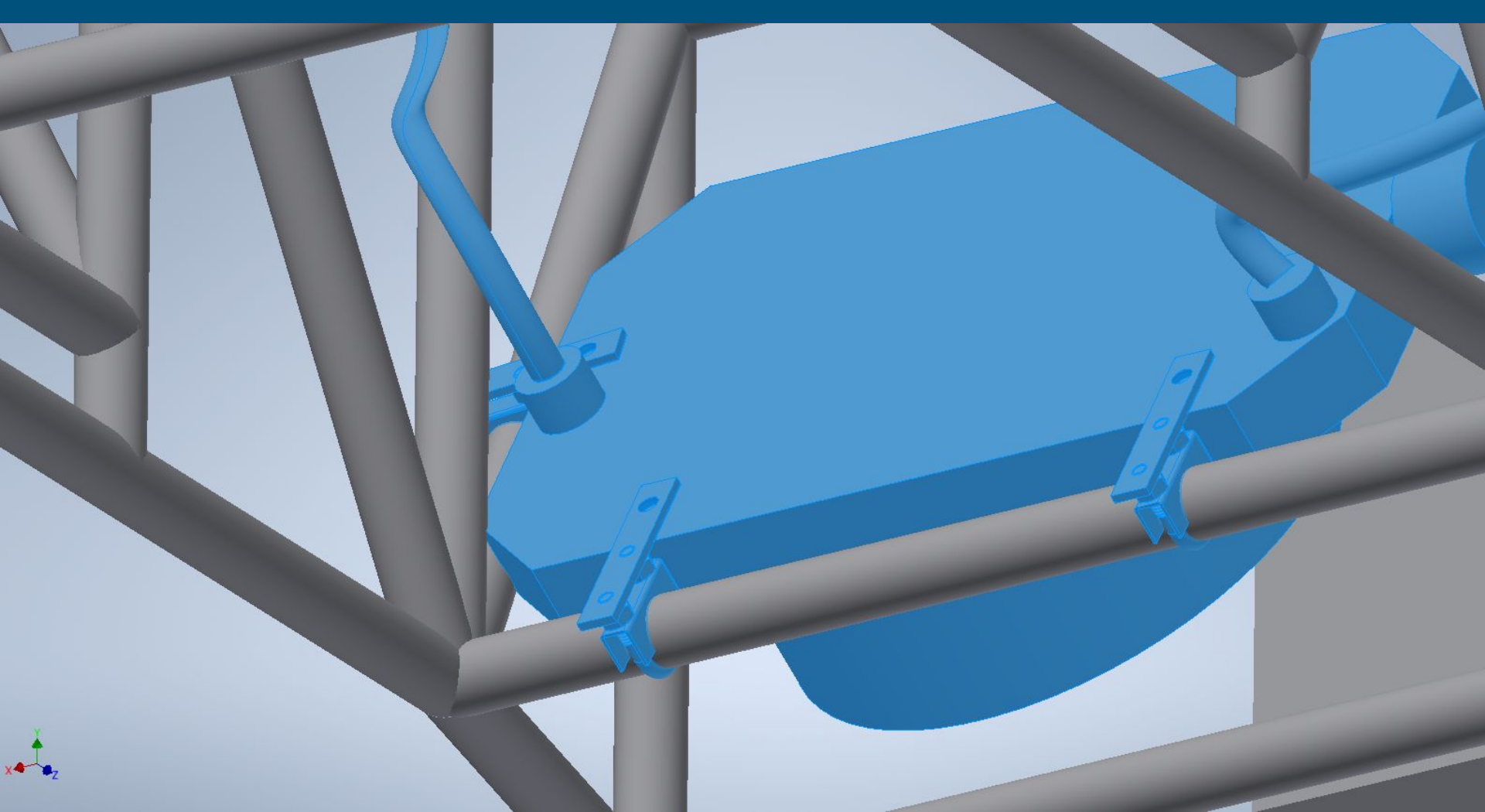


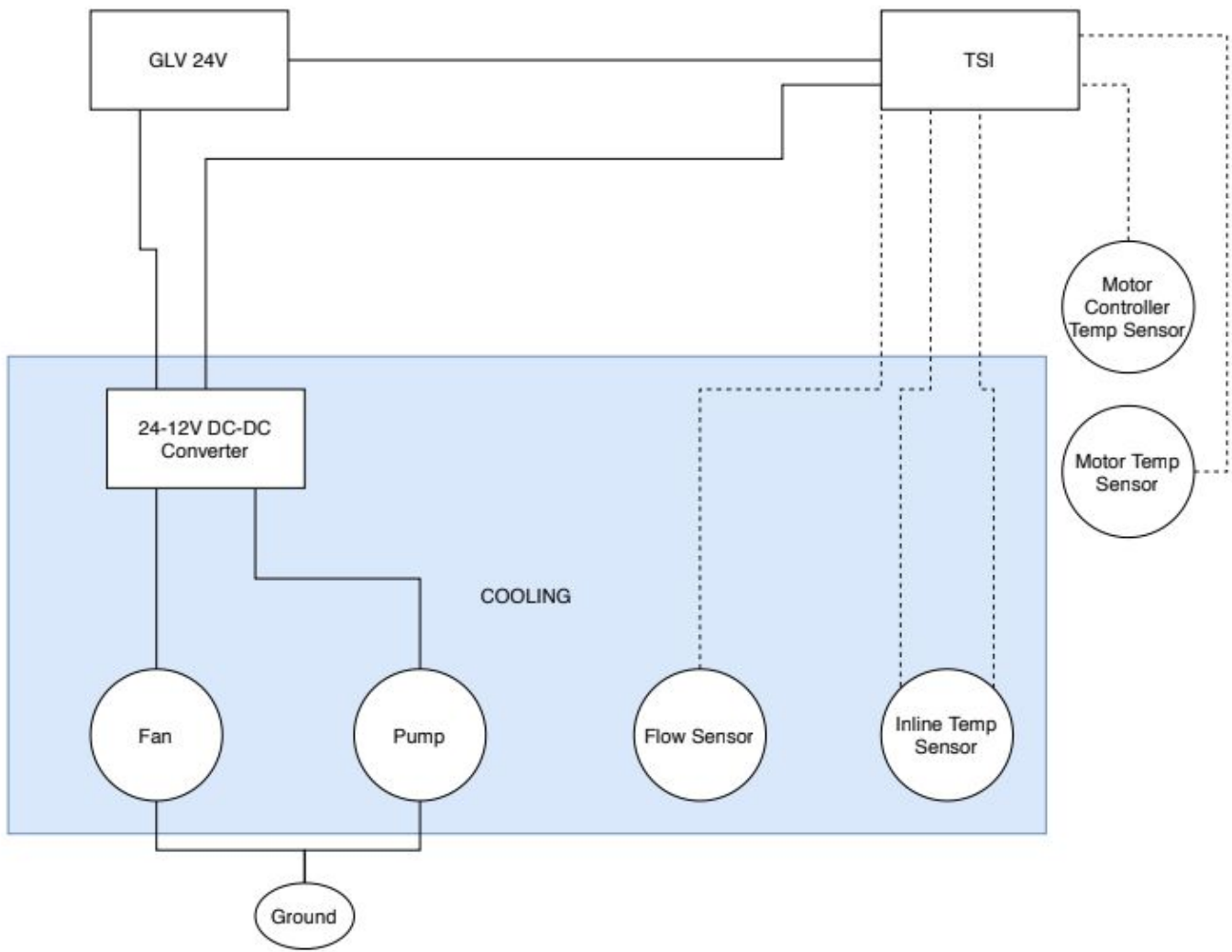
Carri  
Enclosure

RESERVOIR











# Possible Concerns with Design

---

- Enough air intake
- Reservoir not mounted at highest point in system