

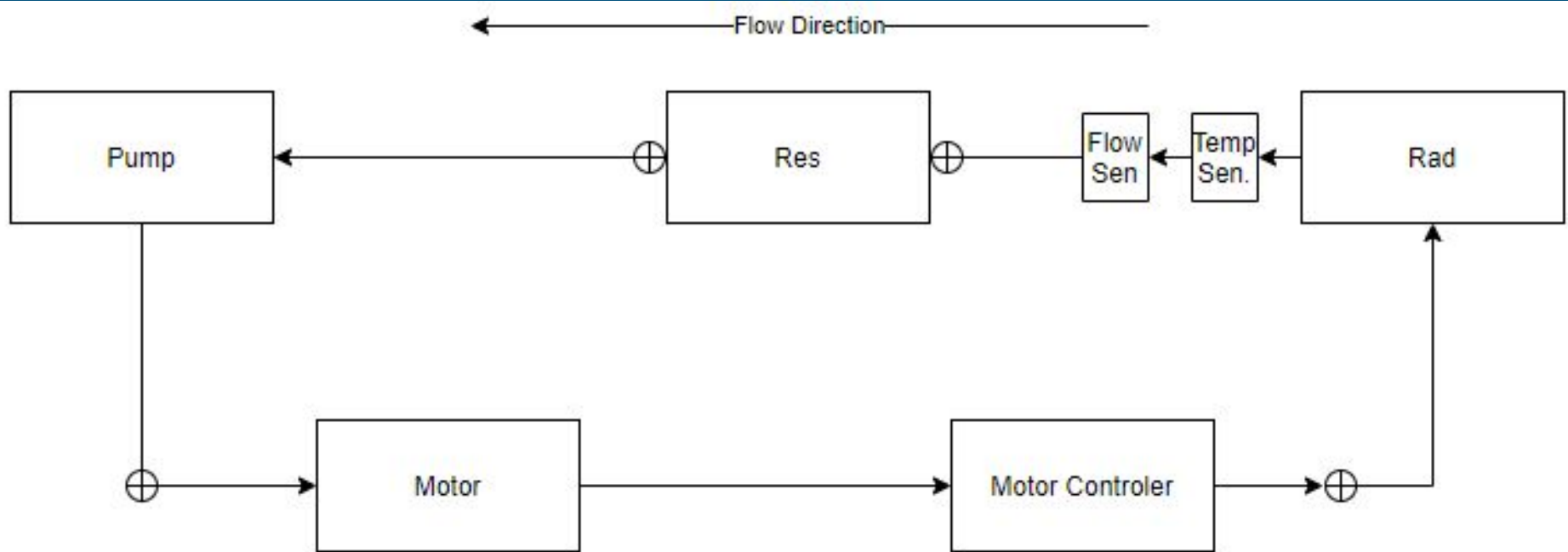


# Cooling Design Review 2

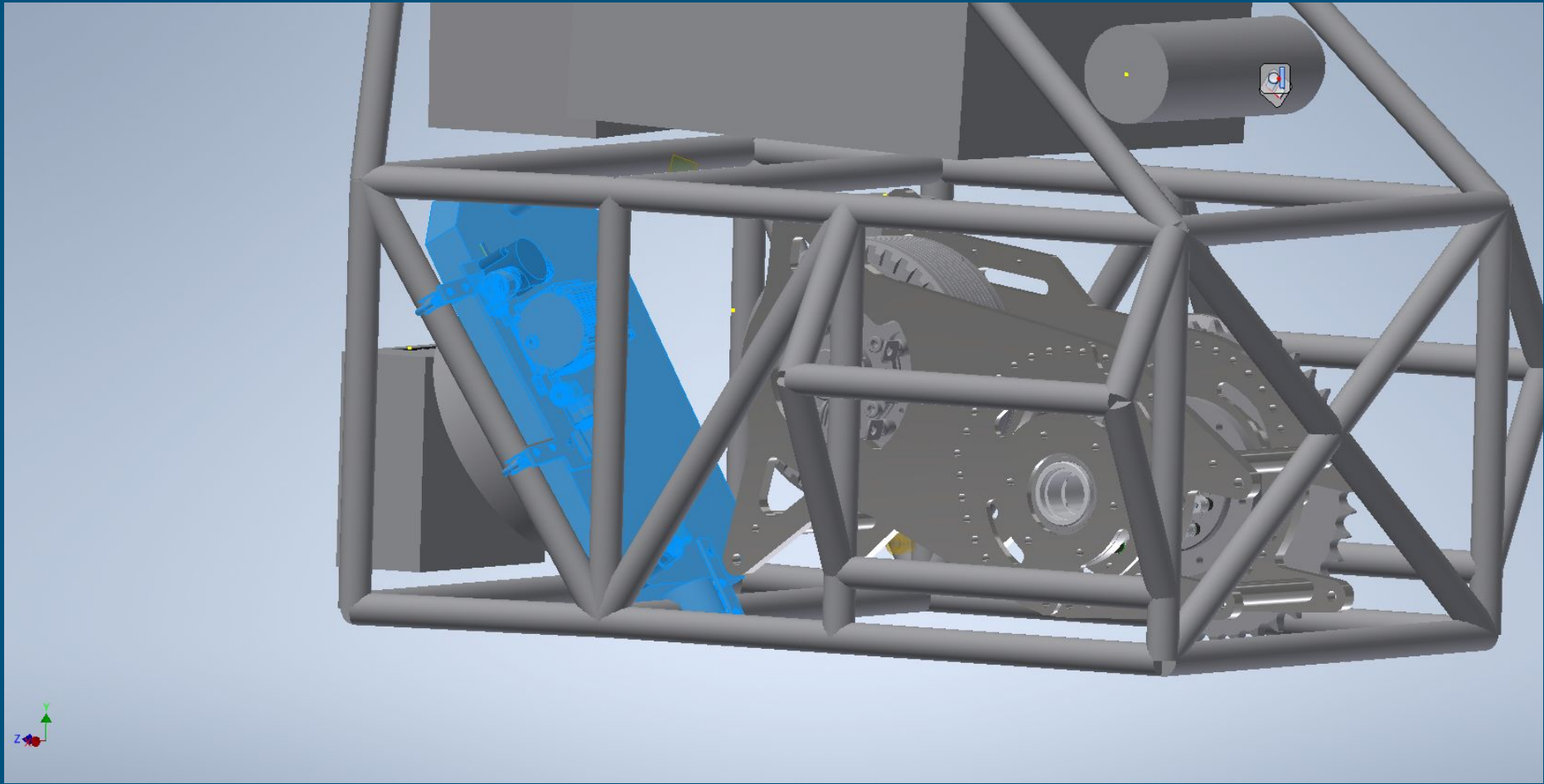
---

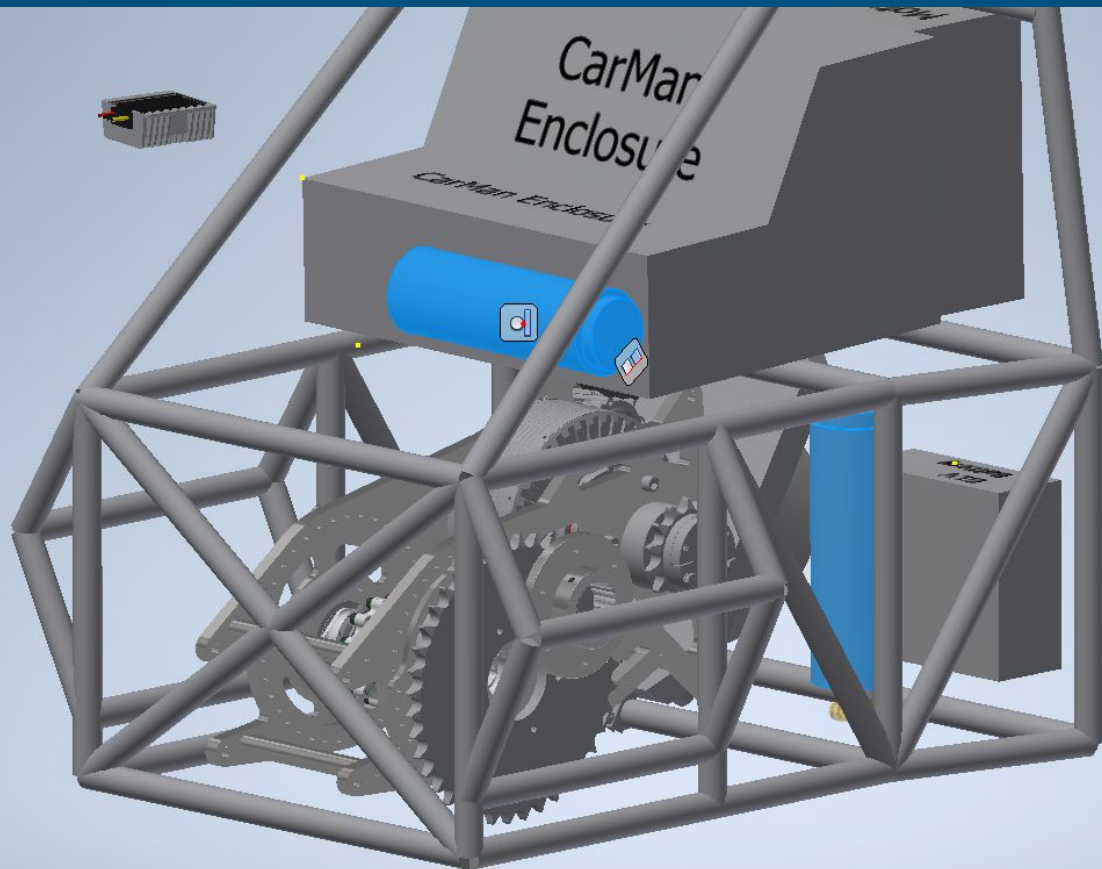
Jack Mills & Matthew Eckhart

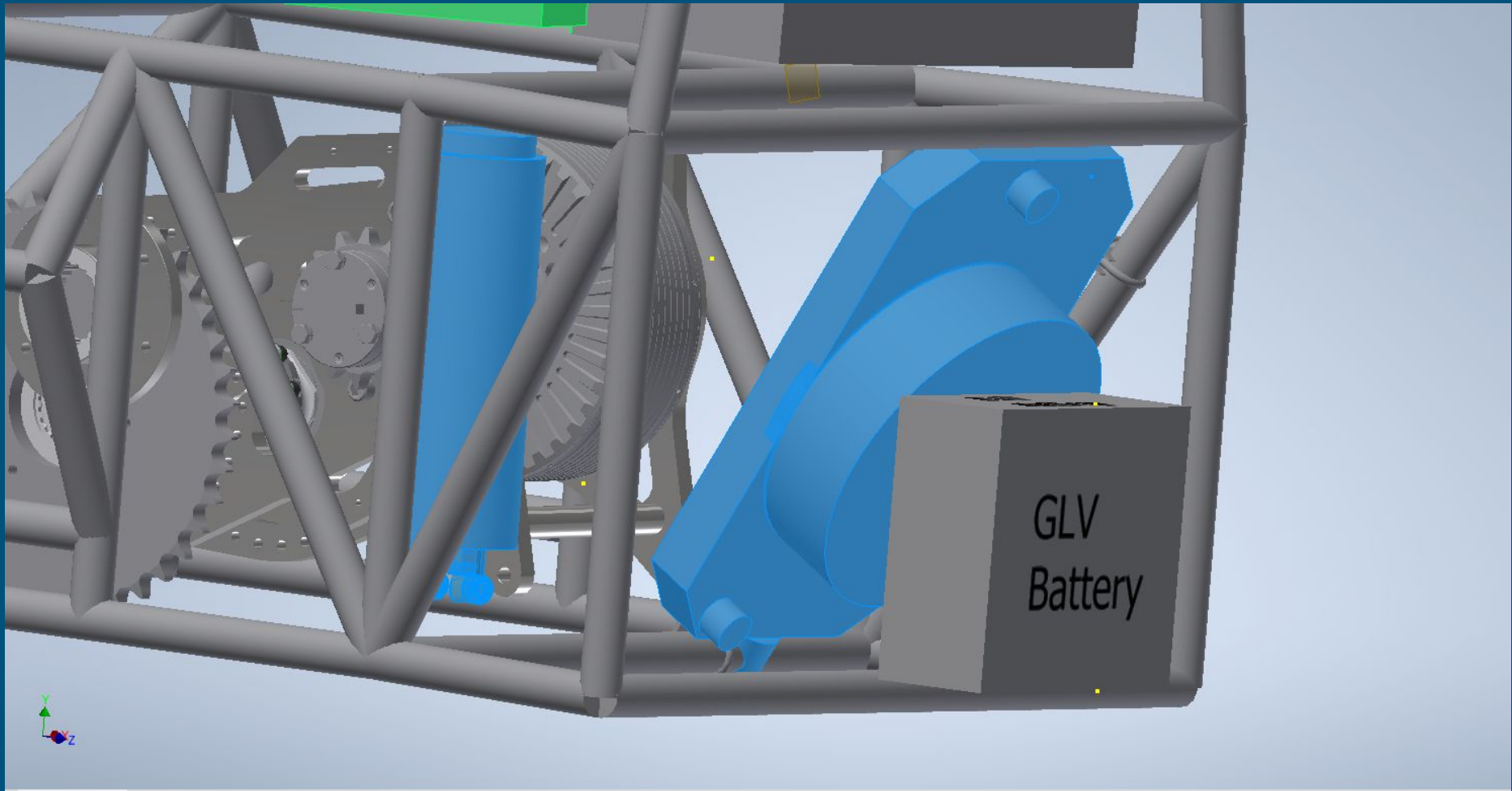




—  $\oplus$  Quick Disconnect Connection







GLV  
Battery

