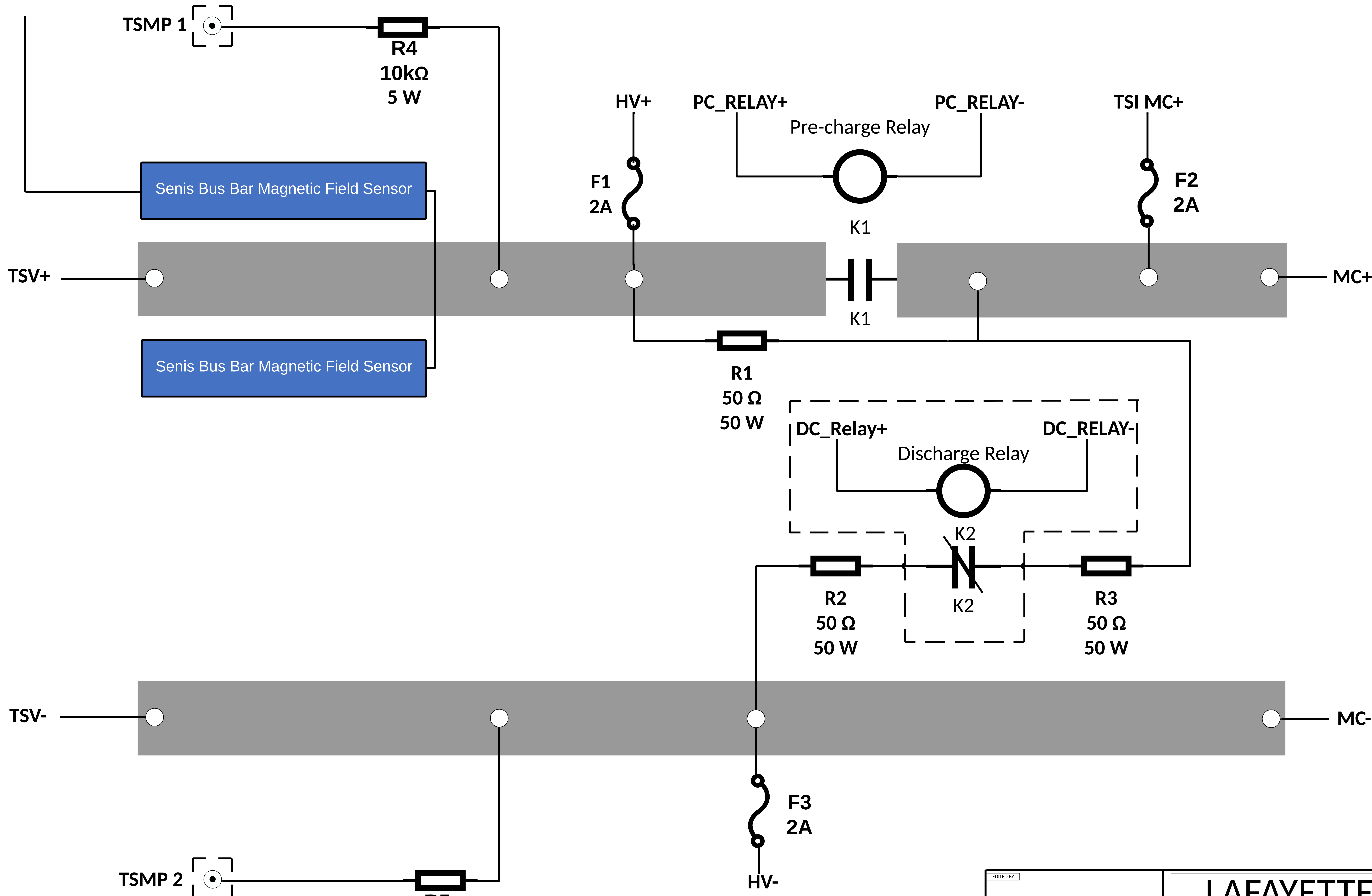
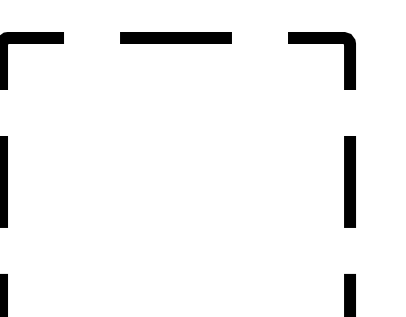


TSV Current Sensor Data



Notes:



Represents that the highlighted part is not physically on the relay board



Represents the Senis BBM-01 Bus Bar Module Current Sensor



Represents custom-sized aluminum bus bars

EDITED BY		LAFAYETTE		Lafayette College Easton, Pa ECE Department	
DRAWN BY Zachary Martin and Benjamin Surman					
APPROVED BY ECE		Relay Board Wiring Diagram v1.0.5			
APPROVED BY ME		SIZE F	DWG NO TOP LEVEL	ASSIGNMENT SENIOR DESIGN 11	REV 1.0.4
DATE 2020 - 11 - 16		COURSE ECE 492		SHEET 1 OF 1	