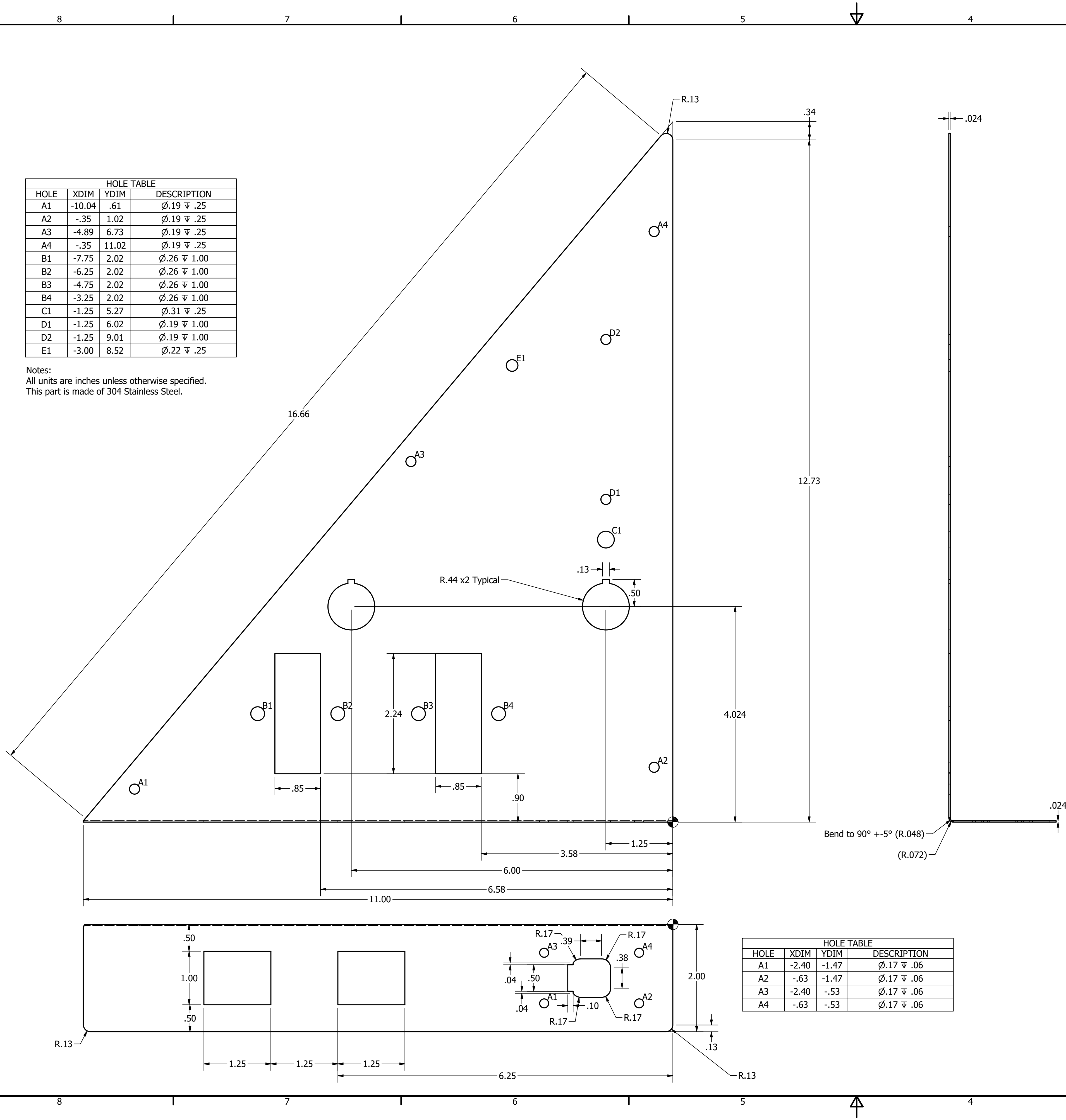
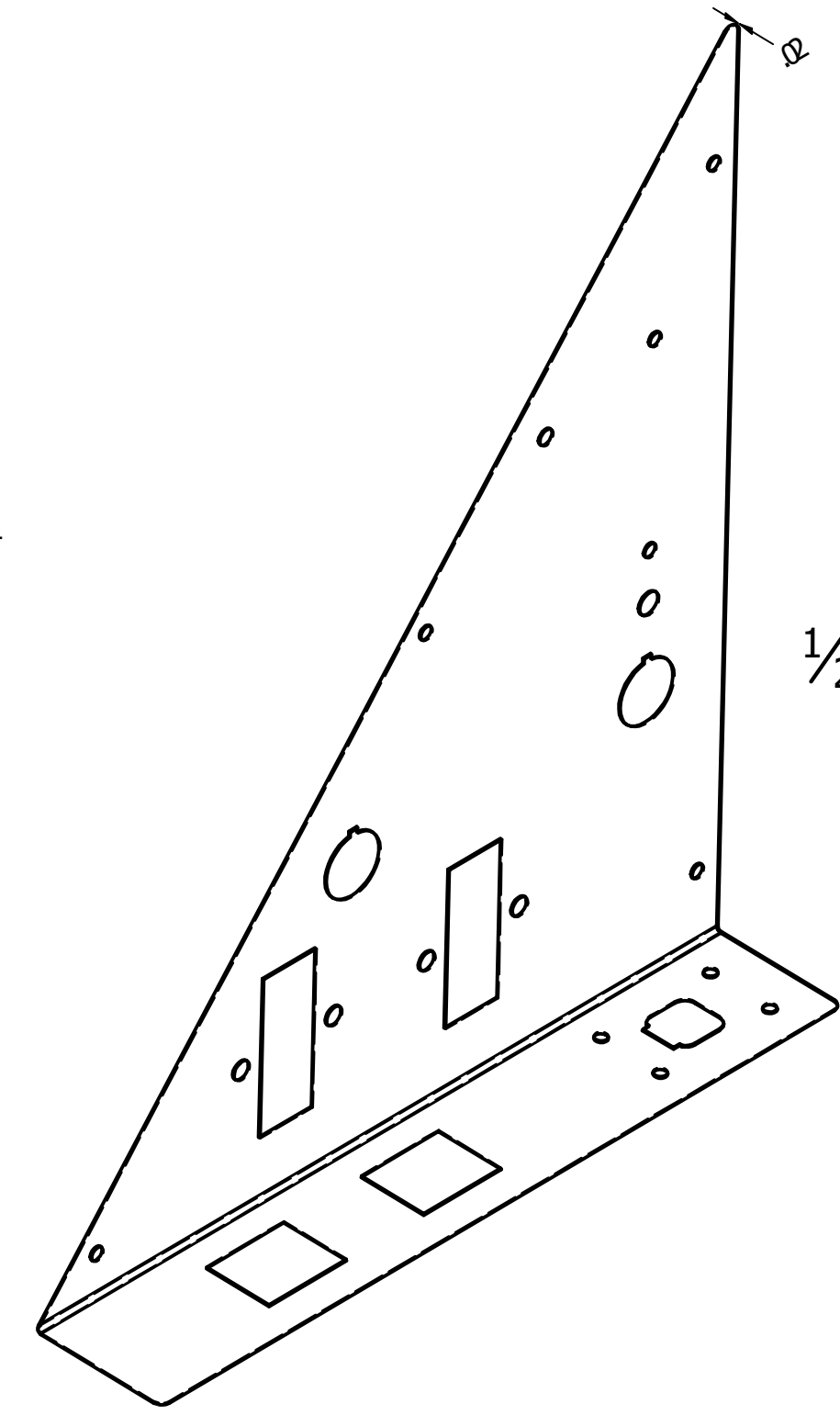
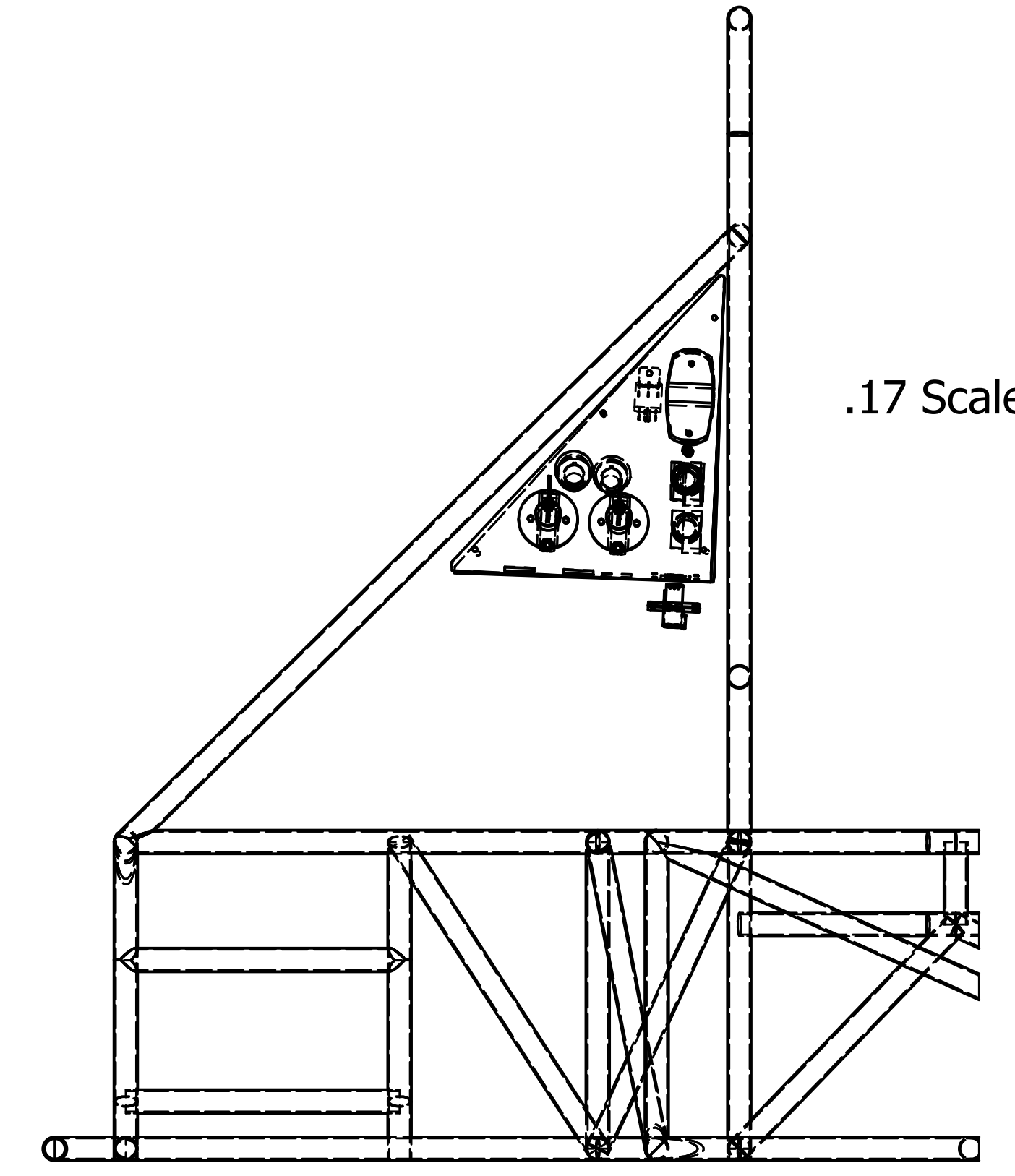


HOLE TABLE			
HOLE	XDIM	YDIM	DESCRIPTION
A1	-10.04	.61	Ø.19 ∇ .25
A2	-.35	1.02	Ø.19 ∇ .25
A3	-4.89	6.73	Ø.19 ∇ .25
A4	-.35	11.02	Ø.19 ∇ .25
B1	-7.75	2.02	Ø.26 ∇ 1.00
B2	-6.25	2.02	Ø.26 ∇ 1.00
B3	-4.75	2.02	Ø.26 ∇ 1.00
B4	-3.25	2.02	Ø.26 ∇ 1.00
C1	-1.25	5.27	Ø.31 ∇ .25
D1	-1.25	6.02	Ø.19 ∇ 1.00
D2	-1.25	9.01	Ø.19 ∇ 1.00
E1	-3.00	8.52	Ø.22 ∇ .25

Notes:
 All units are inches unless otherwise specified.
 This part is made of 304 Stainless Steel.



HOLE TABLE			
HOLE	XDIM	YDIM	DESCRIPTION
A1	-2.40	-1.47	Ø.17 ∇ .06
A2	-.63	-1.47	Ø.17 ∇ .06
A3	-2.40	-.53	Ø.17 ∇ .06
A4	-.63	-.53	Ø.17 ∇ .06



DRAWN Andrew Bachman 2/10/2021	CHECKED L. Foulk & B. Surman 2/10/2021	Lafayette Motorsports	
MFG QA	APPROVED <i>[Signature]</i> 2/10/2021	TITLE LFEV Right Side Panel	
SCALE 1 : 1	SIZE D	DWG NO RightSidePanelFull-1	REV
		SHEET 1 OF 1	