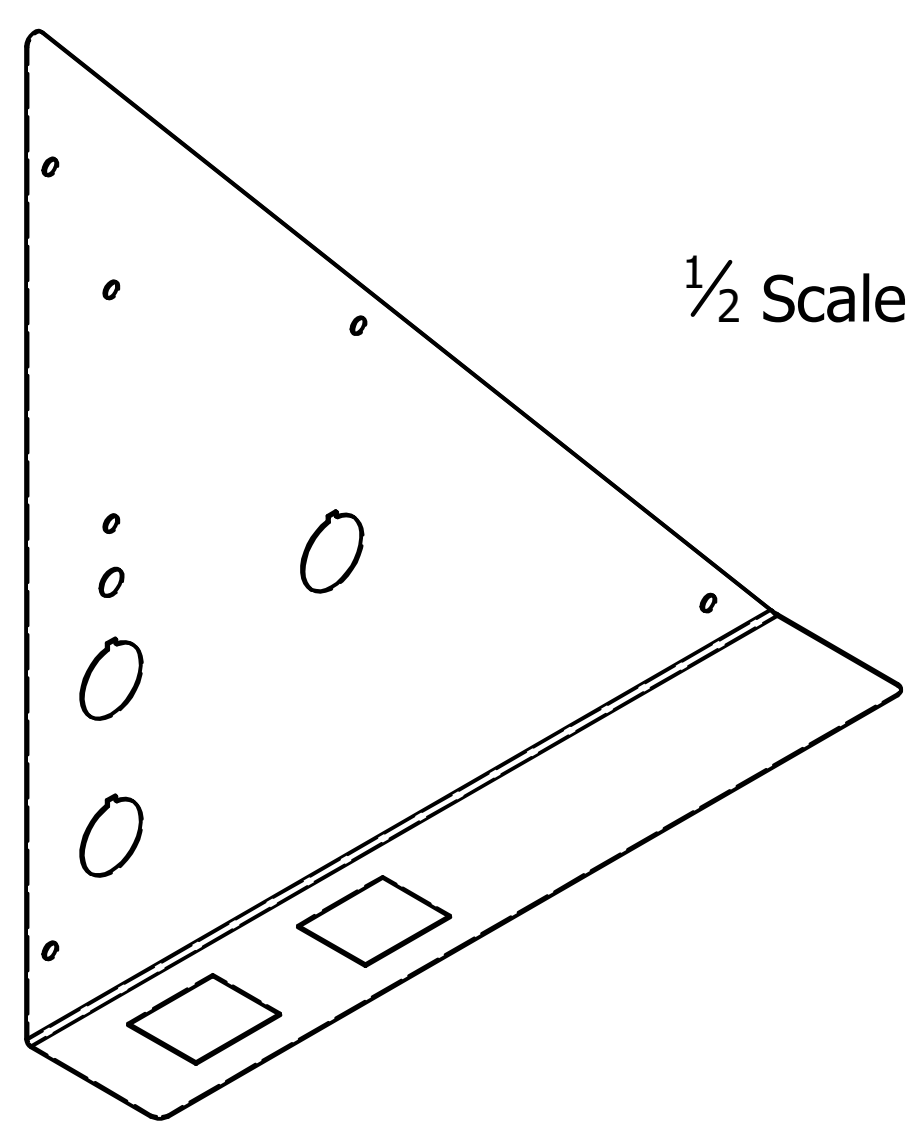
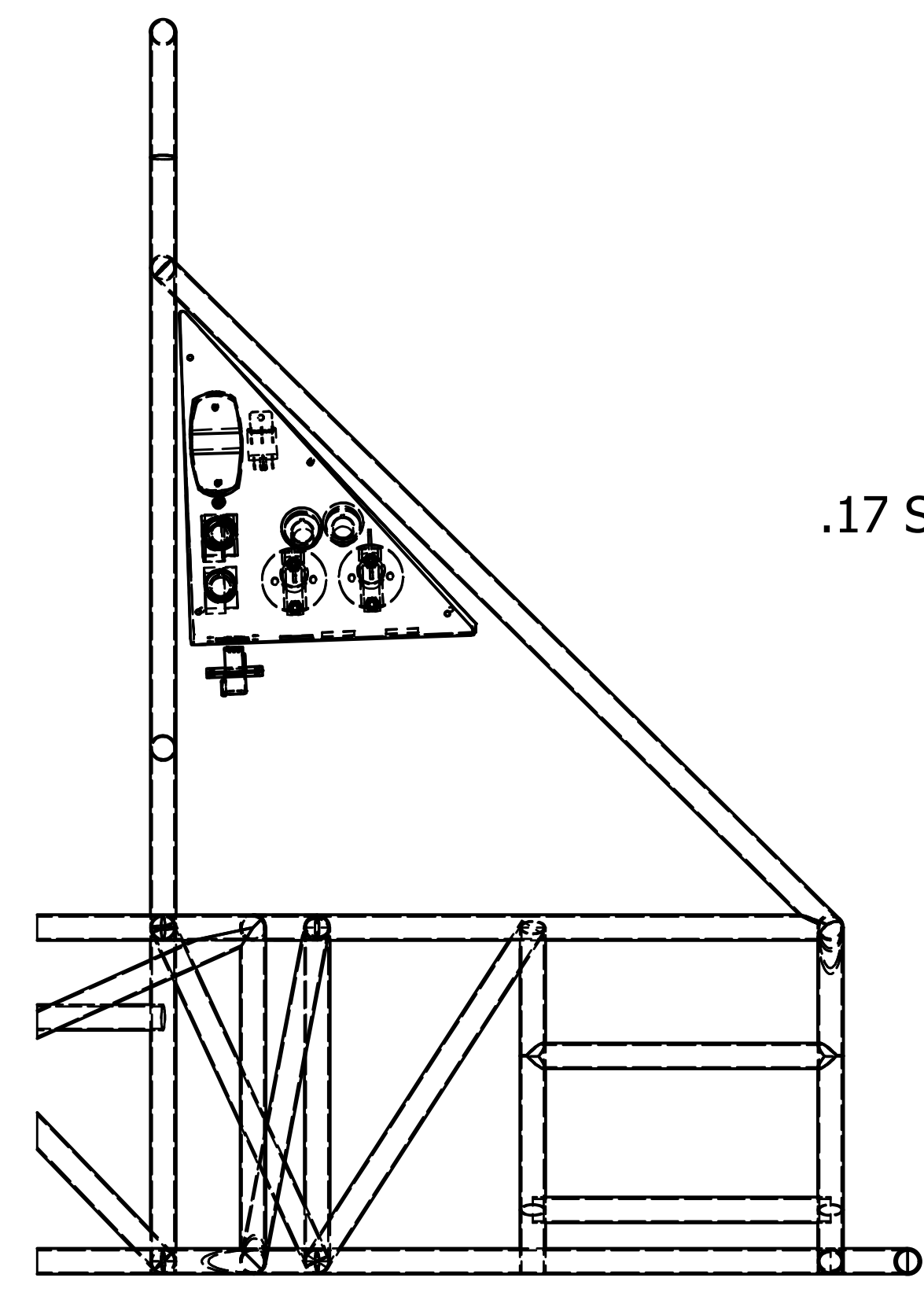


HOLE TABLE			
HOLE	XDIM	YDIM	DESCRIPTION
A1	10.04	.61	Ø.19 ∇ .25
A2	.35	1.02	Ø.19 ∇ .25
A3	4.89	6.73	Ø.19 ∇ .25
A4	.35	11.02	Ø.19 ∇ .25
B1	1.25	5.27	Ø.31 ∇ .25
C1	1.25	6.02	Ø.19 ∇ 1.00
C2	1.25	9.01	Ø.19 ∇ 1.00

Notes:
 All units are inches unless otherwise specified.
 This part is made of 304 Stainless Steel.



DRAWN Andrew Bachman 2/10/2021	CHECKED Lucas Foulk 2/10/2021	QA	MFG	APPROVED <i>[Signature]</i> 2/10/2021	Lafayette Motorsports	
					TITLE LFEV Left Side Panel	
					SIZE D	DWG NO LeftSidePanelFull
					SCALE 1 : 1	REV SHEET 1 OF 1