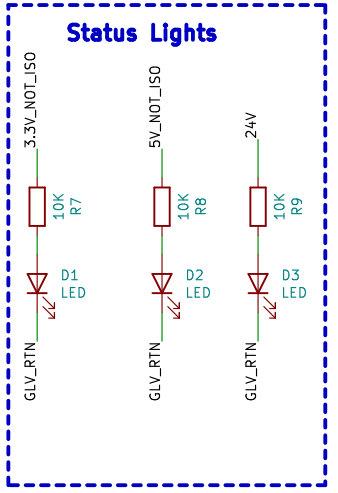
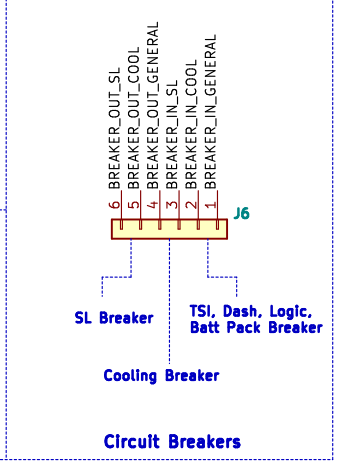
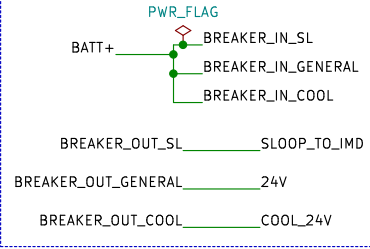
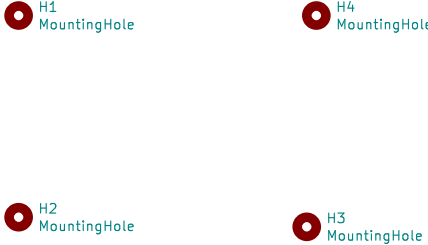
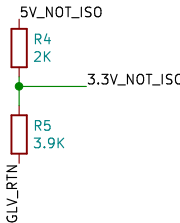
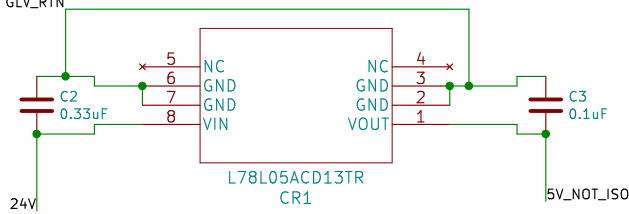


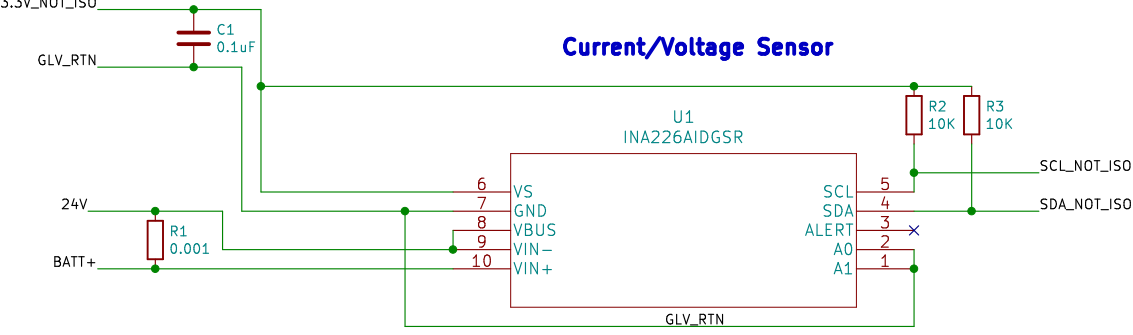
SLOOP\_TO\_IMD is the 24V safety loop connection from the LSP and ammeter to Carman's IMD relay.



### Non-Isolated DC/DC 24V to 5V



Place cap as close as possible to input pins



### Current/Voltage Sensor

ECE 491  
Authors: Troy Coleman, Zachary Martin

Sheet: /  
File: GLV\_BOBV6.sch

### Title: Grounded Low Voltage (GLV) BOB

Size: A4 Date: 2020-11-10  
KiCad E.D.A. kicad (5.1.6)-1

Rev: V6  
Id: 1/1