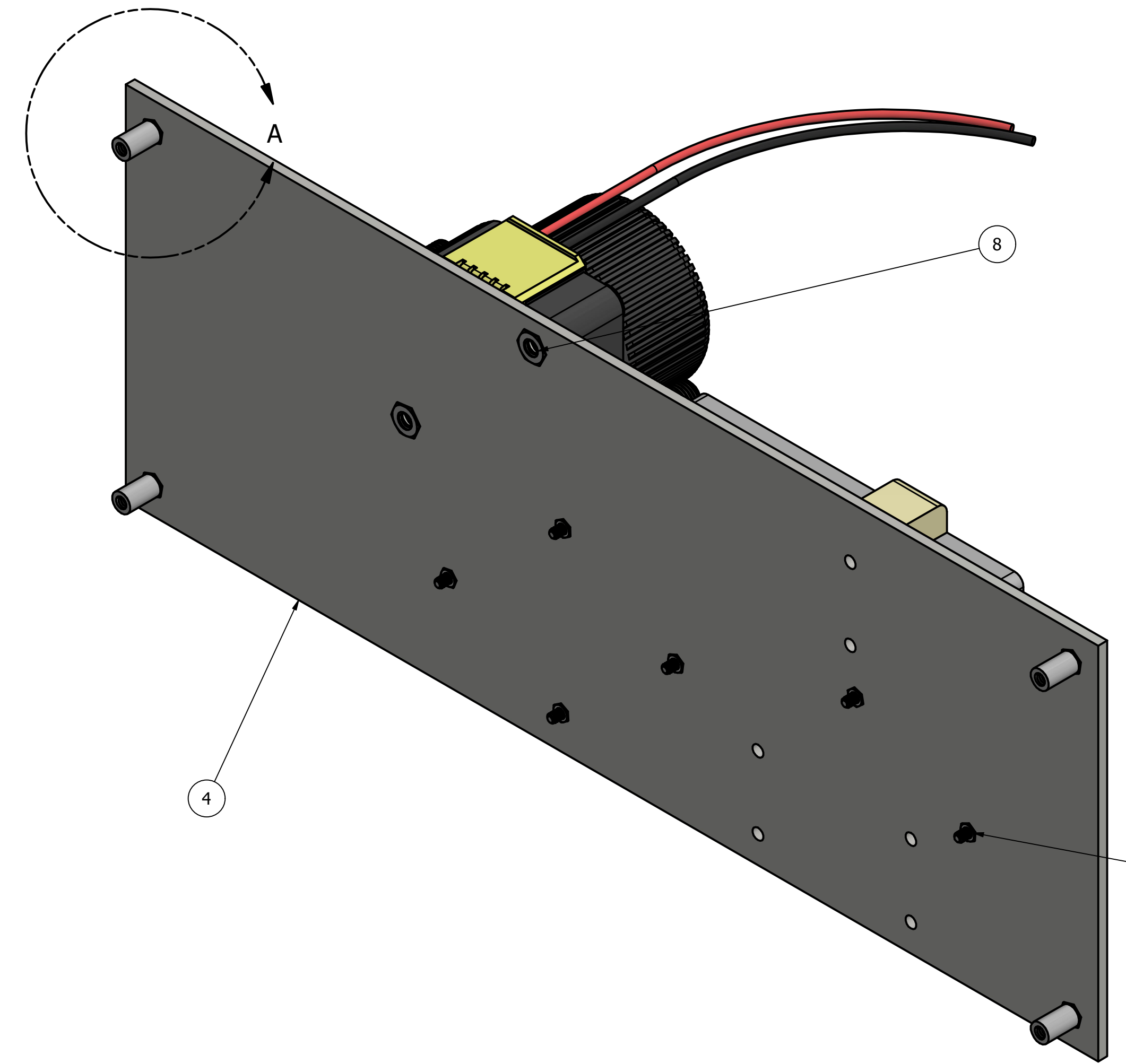
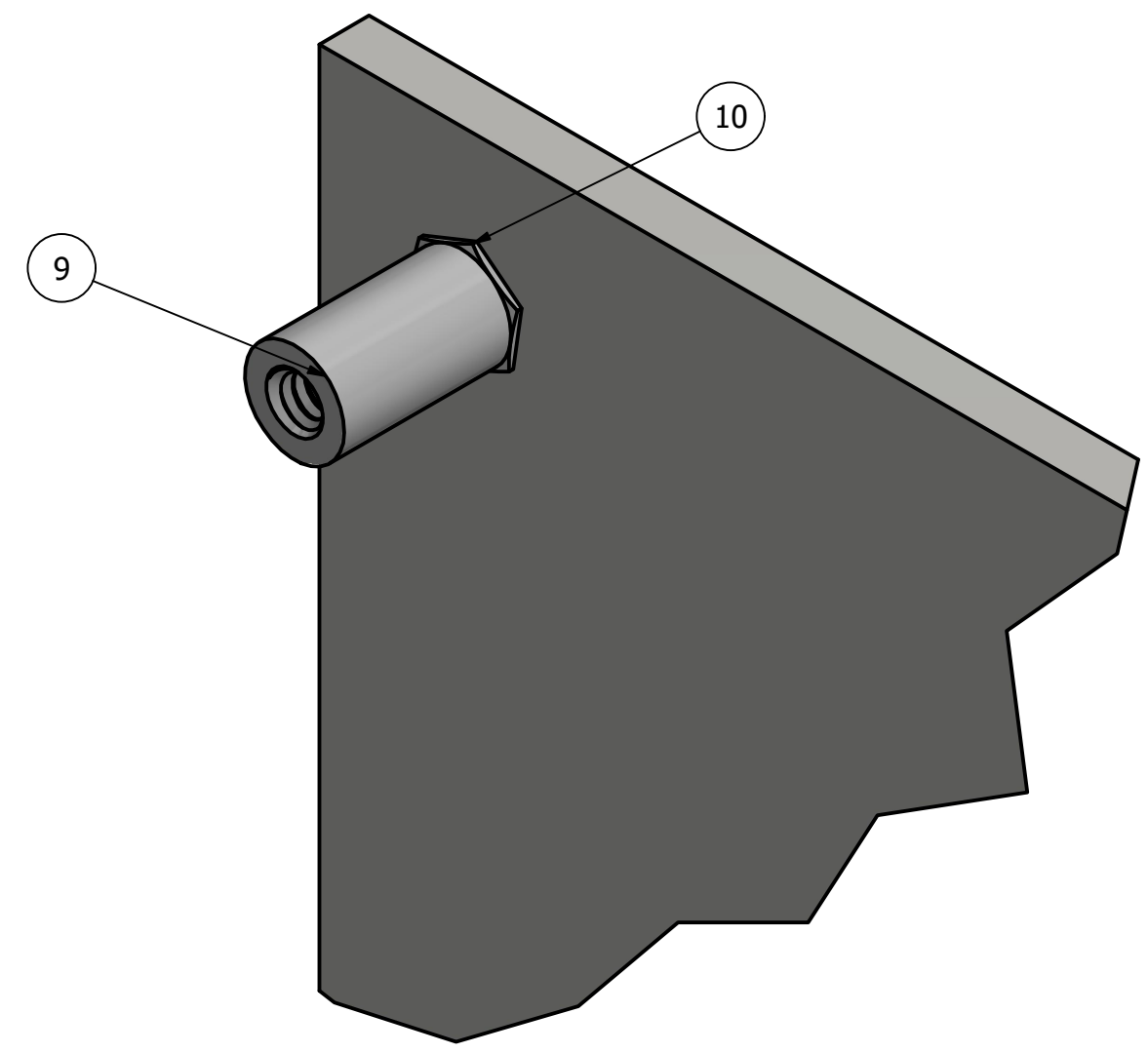
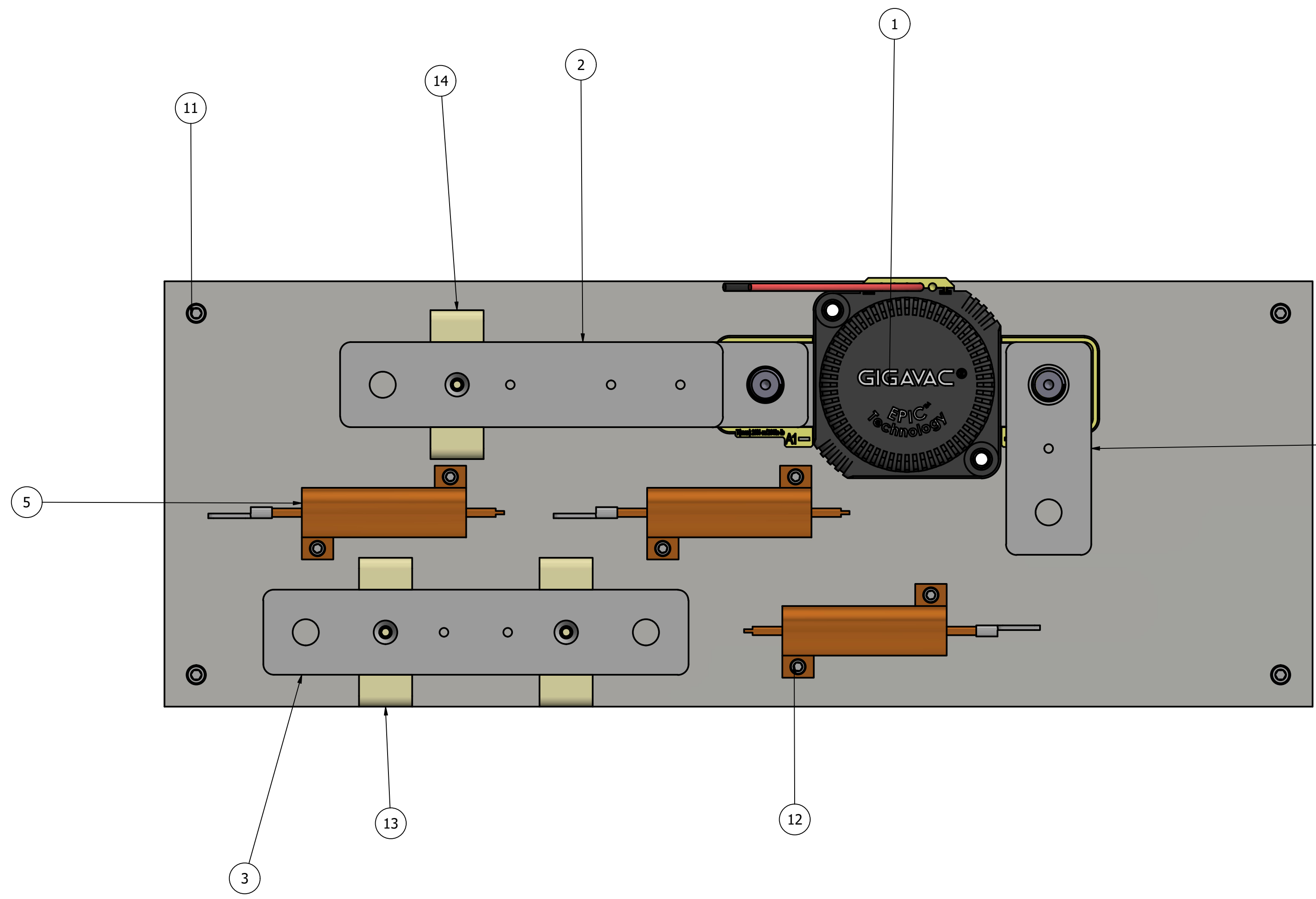


PARTS LIST			
ITEM	QTY	PART NUMBER	DESCRIPTION
1	1	GX14	STEP AP214
2	1	RB #4	PrechargeBar
3	1	RB#1	DischargeBar
4	1	BasePlateV2	Relay Board Mounting Plate
5	3	WH50-50RJI	
6	1	MC Side Bus Bar	Precharge Relay Connector
7	6	94674A490_4-40_Flush-Mount_Press_Fit Nut	
8	2	94674A608_M5_Flush-Mount_Press-Fit Nut	
9	4	93330A516_ALUM FEM THRDED ROUND STANDOFF	
10	4	94674A510_6-32_FlushMount_Press-Fit Nut	
11	4	91251A146_6_32 Socket Head Hex Screw 38	
12	6	91251A108_4-40 Socket Head Hex Screw 38	
13	2	Tall Spacer Assembly	
14	1	Short Spacer Assembly	



DETAIL A
SCALE 3 : 1



NOTE For Rob: Only put the press fit nuts (Items 7, 8, and 10) into the BasePlateV2 (Item 4). The other items will be installed by students.

LAFAYETTE COLLEGE ENGINEERING DIVISION	CarMan RelayBoard	DWG.#: CarManRelayV2-01	REV:
TOLERANCE EXCEPT AS NOTED XX .X .XX .XXX ±1/32 ±.02 ±.01 ±.005	PART #: CarManRelayV2-01	QTY: 1	DRAWN BY: Benjamin Surman
	PART FILE: CarManRelayV2-01.iam	SCALE:	Approved by:
	MATERIAL: N/A	DATE: 2/17/2021	