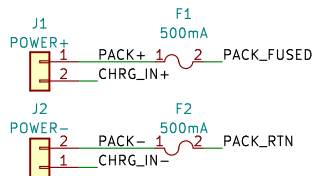
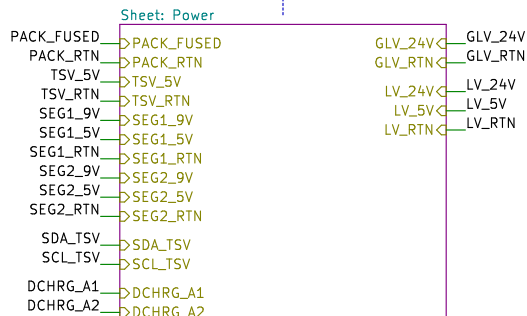
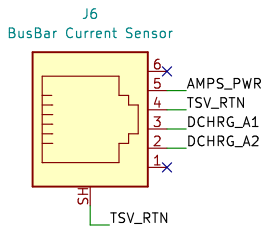
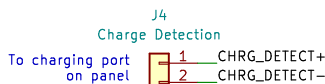
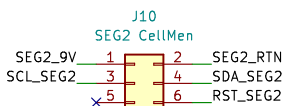
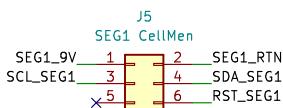


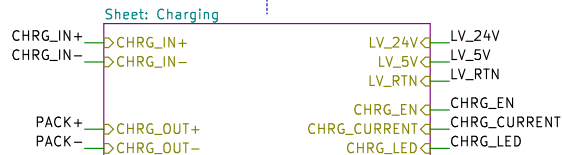
From pack terminals through in-line 20A fuse and from charging port on panel



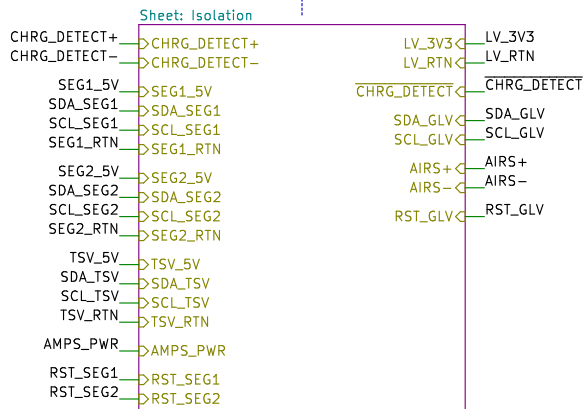
6 pin IDC connectors for each bus of CellMen



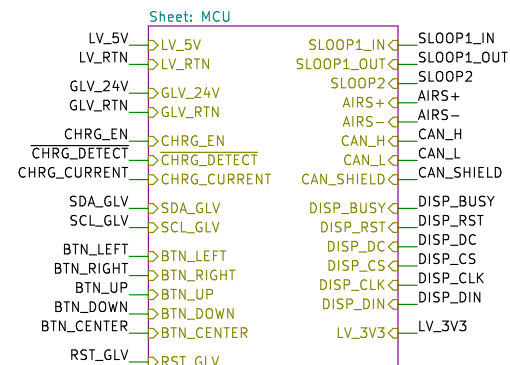
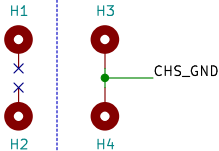
File: Power.sch



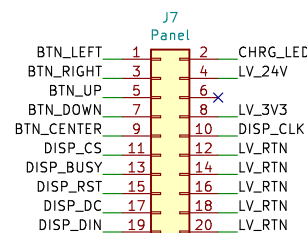
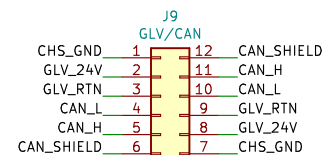
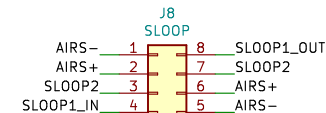
File: Charging.sch



File: Isolation.sch



File: MCU.sch



Manufacturer/Digikey P/N for receptacle: 71600-020LF, 609-1741-ND

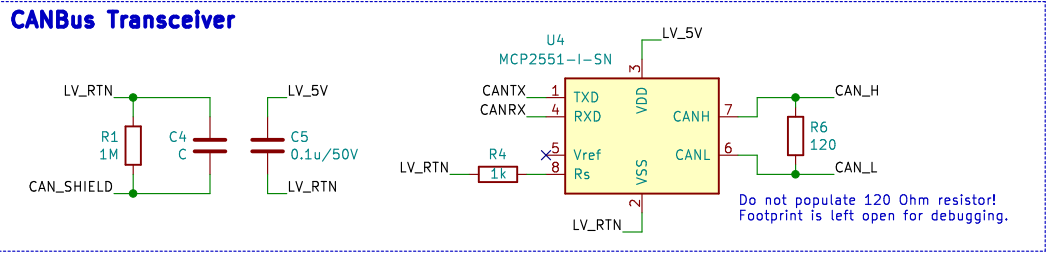
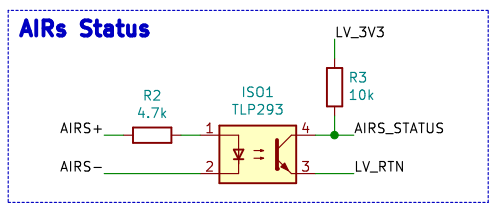
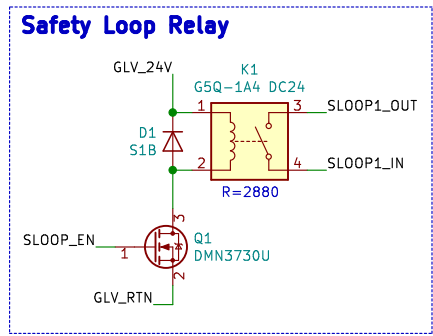
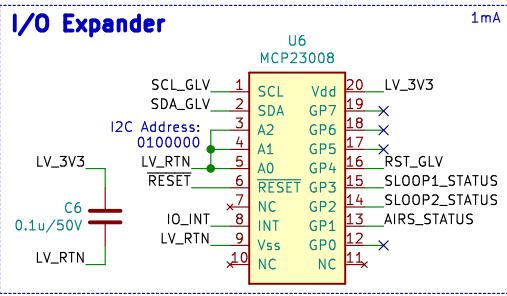
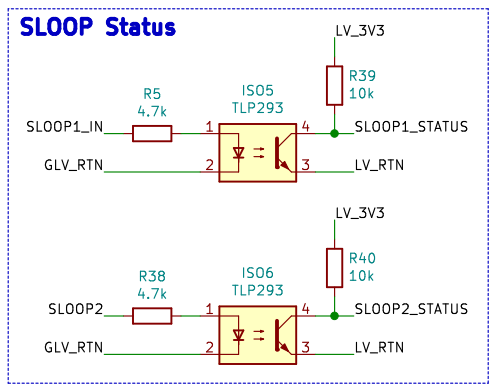
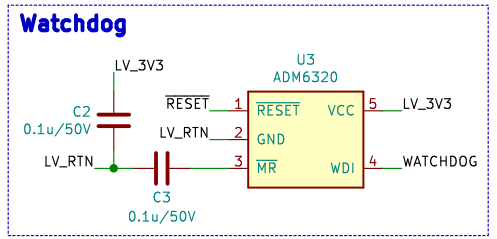
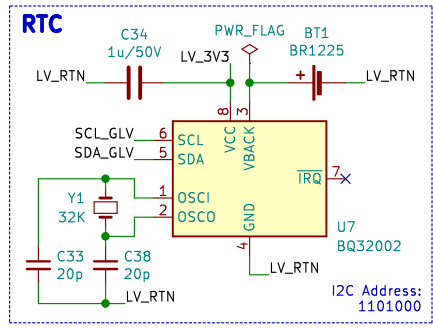
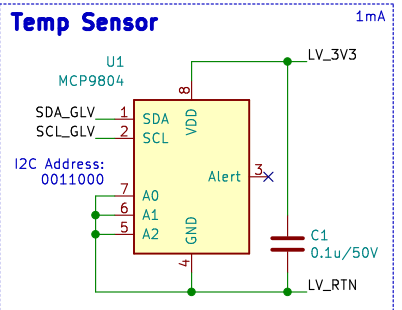
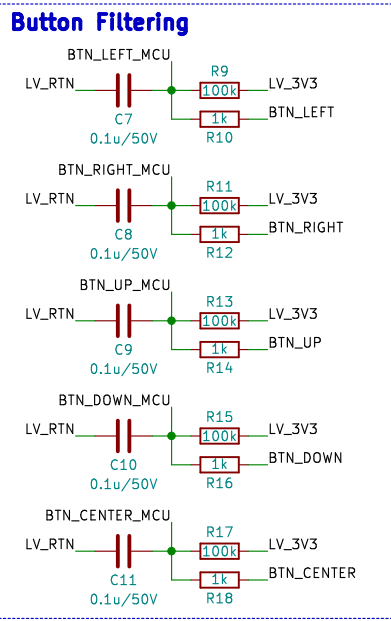
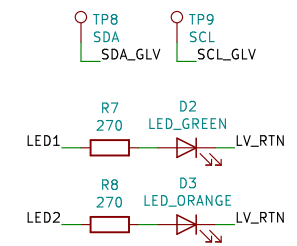
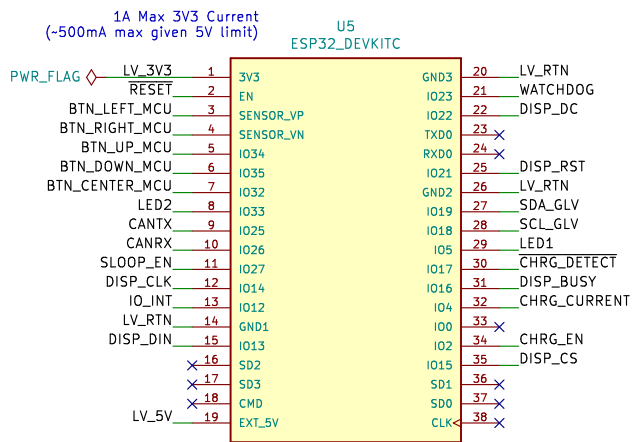
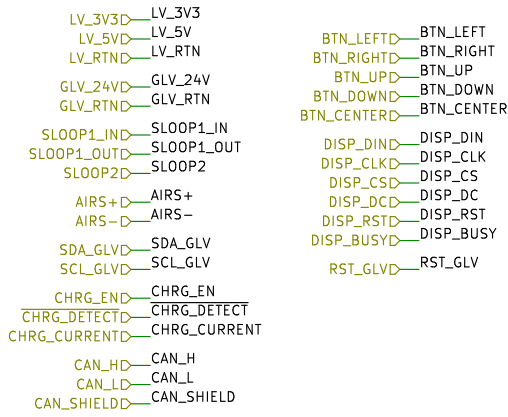
Jon Abel
PacMan accumulator management board
Lafayette College

Sheet: /
File: PacMan.sch

Title: PacMan

Size: A Date: 2020-01-22
KiCad E.D.A. kicad (5.1.5)-3

Rev: 1.2
Id: 1/5

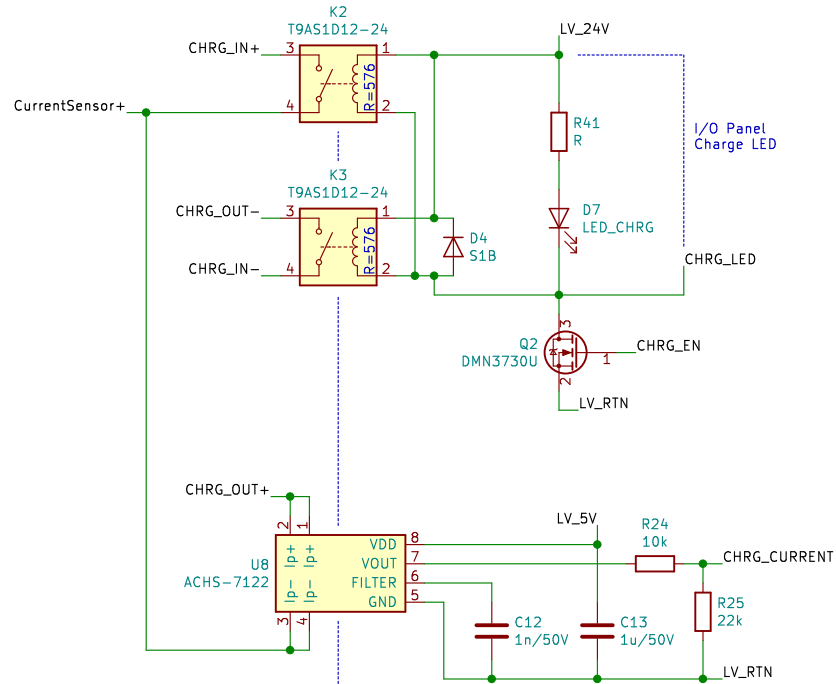


Jon Abel
 MCU, SLOOP, CANBus: Contains the controlling MCU, SLOOP relay, and CAN transceiver
Lafayette College
 Sheet: /MCU/
 File: MCU.sch
Title: PacMan: MCU, SLOOP, CANBus
 Size: A Date: 2020-01-22 Rev: 1.2
 KiCad E.D.A. kicad (5.1.5)-3 Id: 2/5

TSV GLV

CHRG_IN+ — CHRG_IN+
 CHRG_IN- — CHRG_IN-
 CHRG_OUT+ — CHRG_OUT+
 CHRG_OUT- — CHRG_OUT-

CHRG_CURRENT — CHRG_CURRENT
 CHRG_EN — CHRG_EN
 CHRG_LED — CHRG_LED
 LV_24V — LV_24V
 LV_5V — LV_5V
 LV_RTN — LV_RTN



Jon Abel
 Charging: Controls charging relays and measure charging current
Lafayette College
 Sheet: /Charging/
 File: Charging.sch

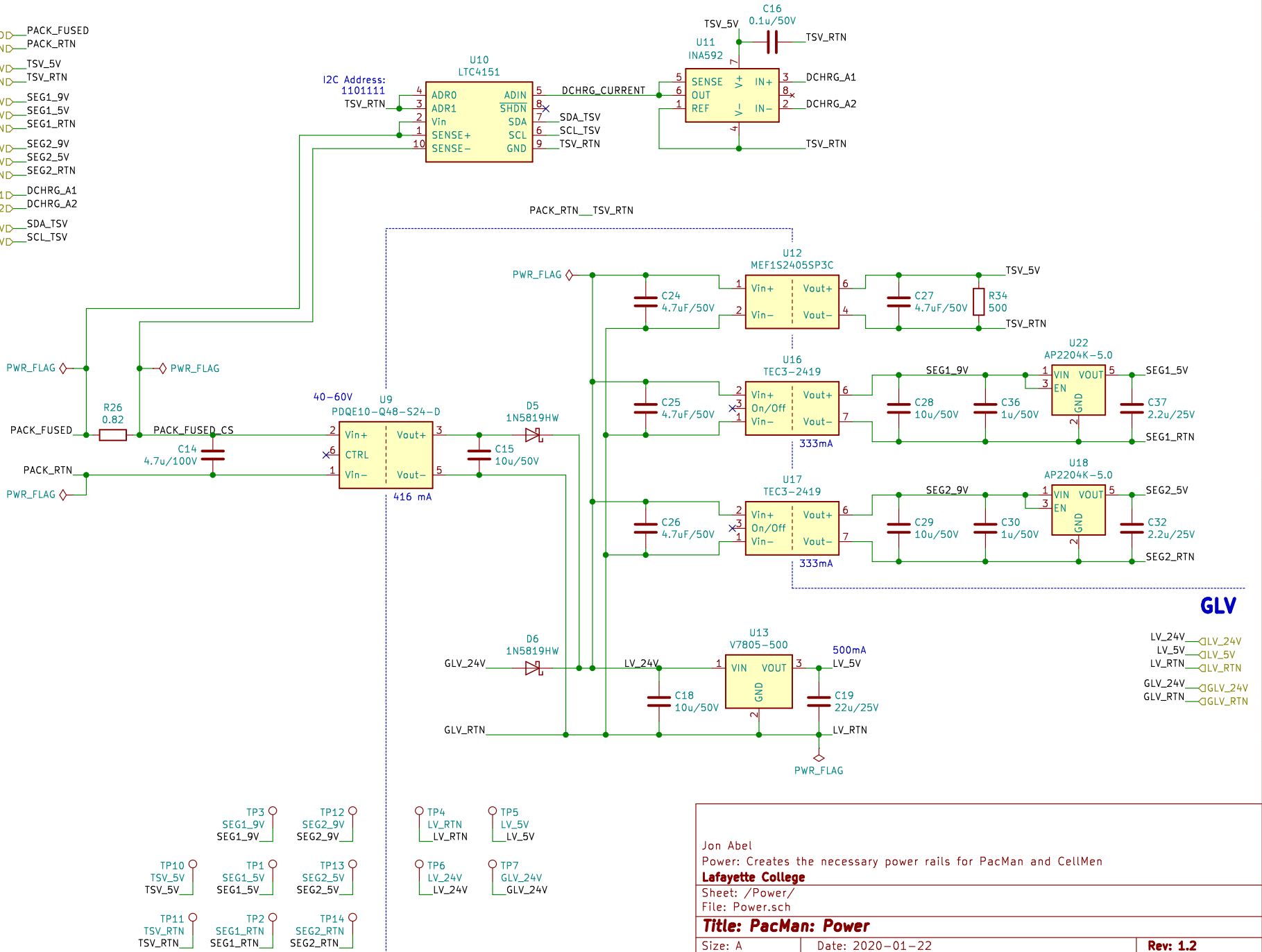
Title: PacMan: Charging

Size: A Date: 2020-01-22
 KiCad E.D.A. kicad (5.1.5)-3

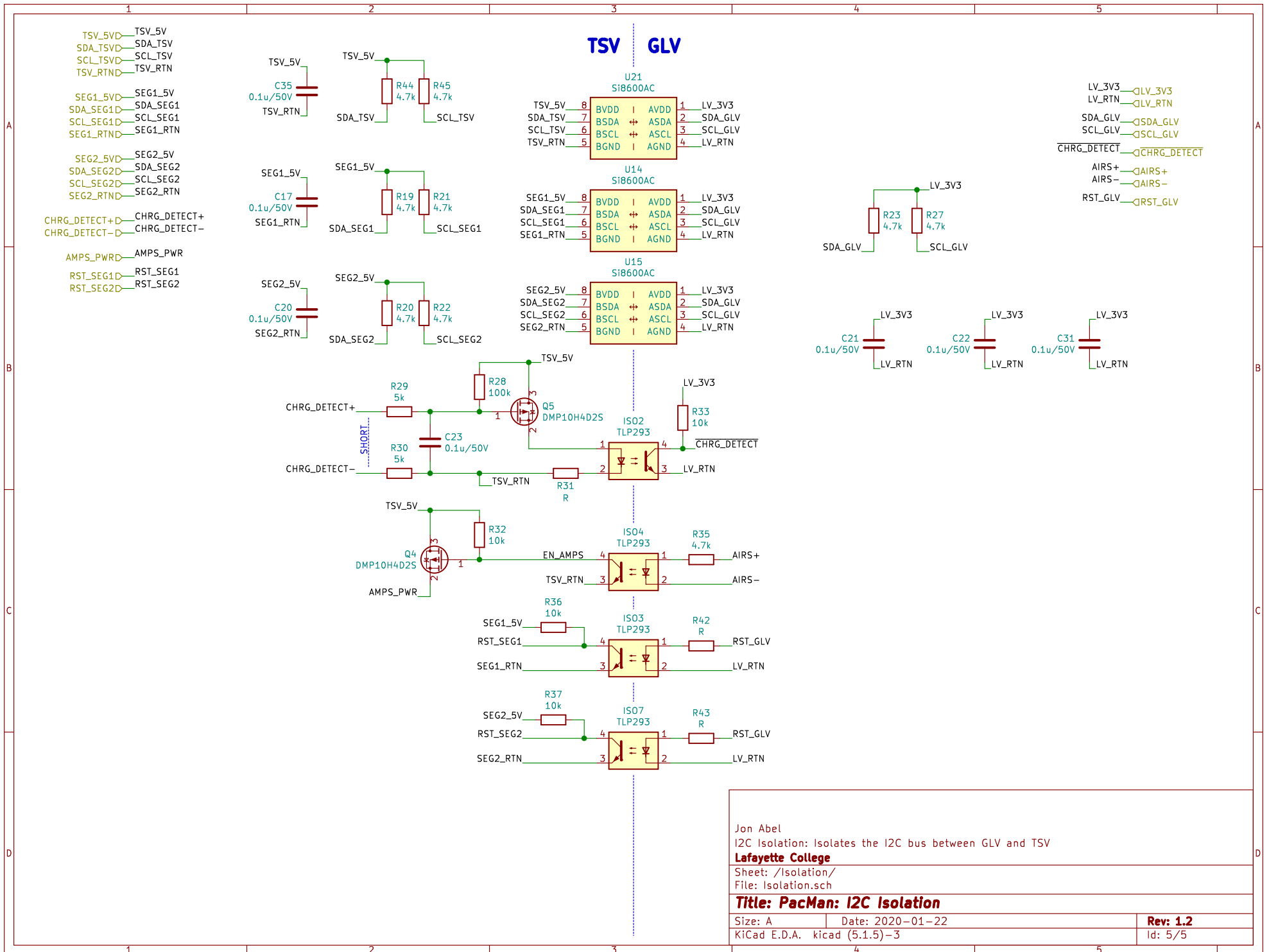
Rev: 1.2
 Id: 3/5

TSV

- PACK_FUSED \rightarrow PACK_FUSED
- PACK_RTND \rightarrow PACK_RTND
- TSV_5V \rightarrow TSV_5V
- TSV_RTND \rightarrow TSV_RTND
- SEG1_9V \rightarrow SEG1_9V
- SEG1_5V \rightarrow SEG1_5V
- SEG1_RTND \rightarrow SEG1_RTND
- SEG2_9V \rightarrow SEG2_9V
- SEG2_5V \rightarrow SEG2_5V
- SEG2_RTND \rightarrow SEG2_RTND
- DCHRG_A1 \rightarrow DCHRG_A1
- DCHRG_A2 \rightarrow DCHRG_A2
- SDA_TSV \rightarrow SDA_TSV
- SCL_TSV \rightarrow SCL_TSV



Jon Abel
 Power: Creates the necessary power rails for PacMan and CellMen
Lafayette College
 Sheet: /Power/
 File: Power.sch
Title: PacMan: Power
 Size: A Date: 2020-01-22 Rev: 1.2
 KiCad E.D.A. kicad (5.1.5)-3 Id: 4/5



Jon Abel
 I2C Isolation: Isolates the I2C bus between GLV and TSV
Lafayette College
 Sheet: /Isolation/
 File: Isolation.sch

Title: PacMan: I2C Isolation

Size: A	Date: 2020-01-22	Rev: 1.2
KiCad E.D.A. kicad (5.1.5)-3		Id: 5/5