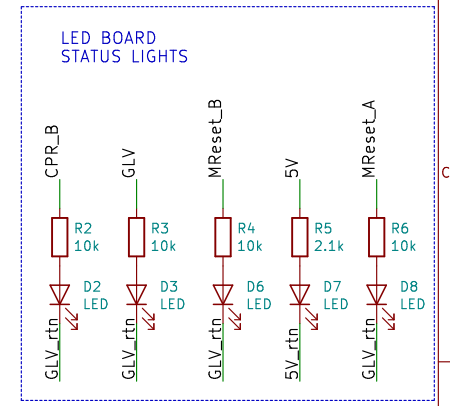
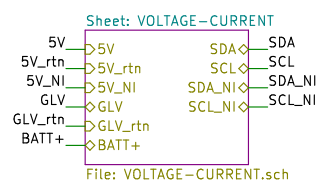
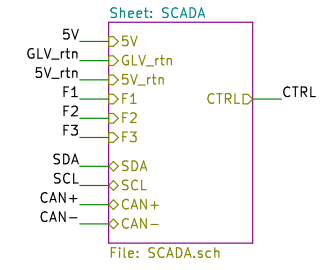
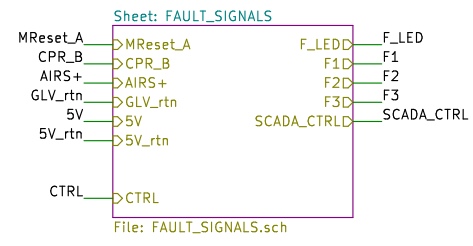
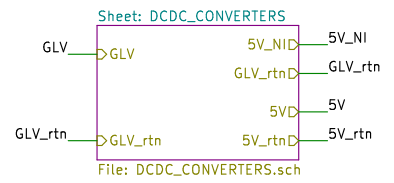
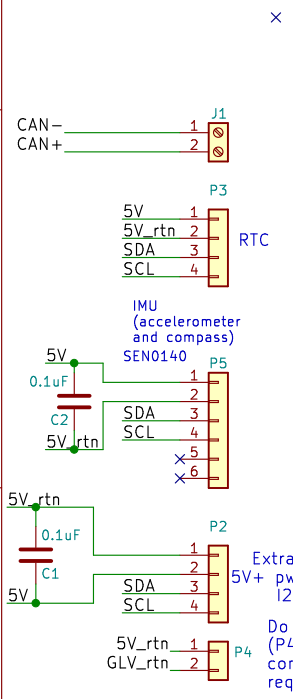
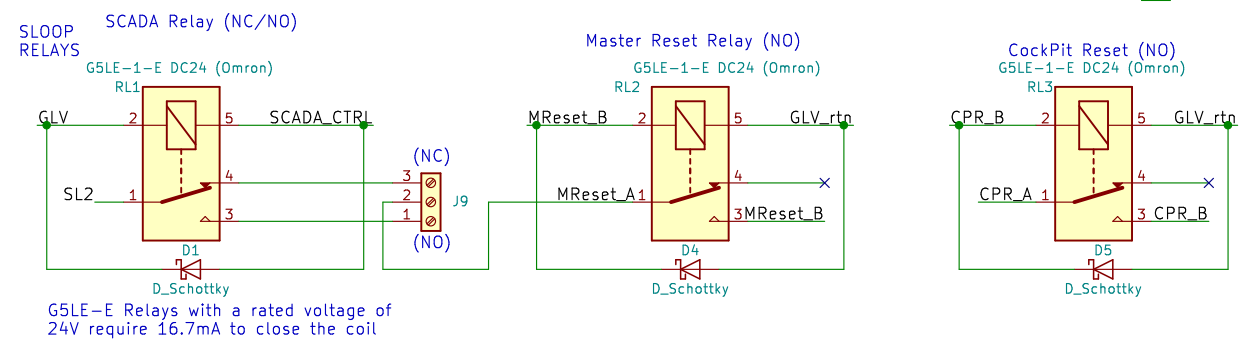
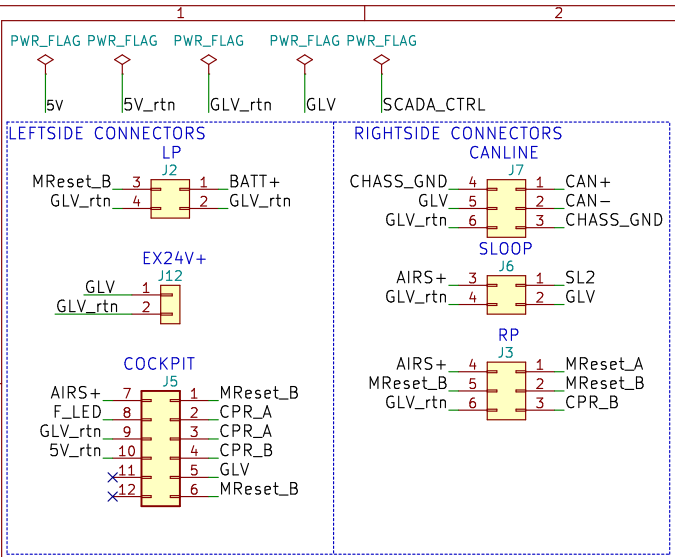


# SAFETY LOOP (24 V, 15 A) rating

MK1  
Mounting\_Hole\_PAD  
CHASS\_GND

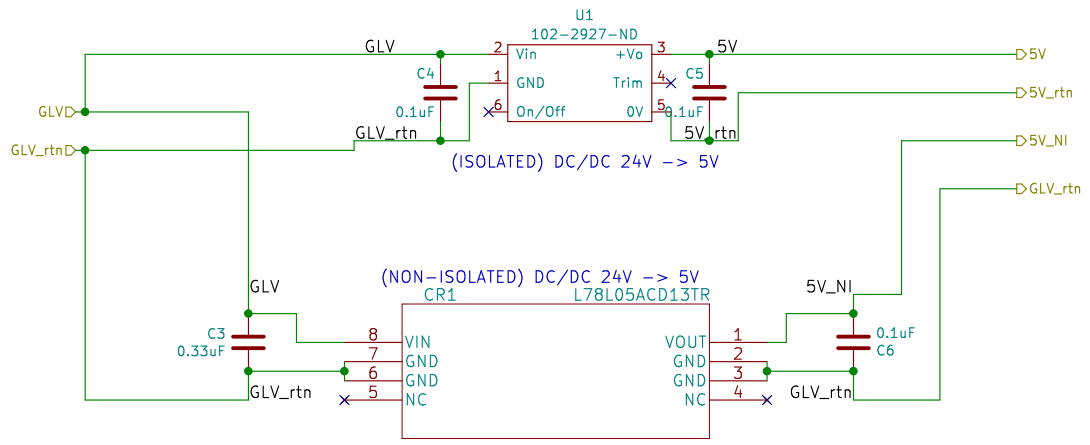


Engineer: Alicia Carone & Noah Engine  
Supervisor: Chris Nadovich  
ECE 492  
Fall 2019  
**Lafayette College**

Sheet: /  
File: BOB\_rev5.1.sch

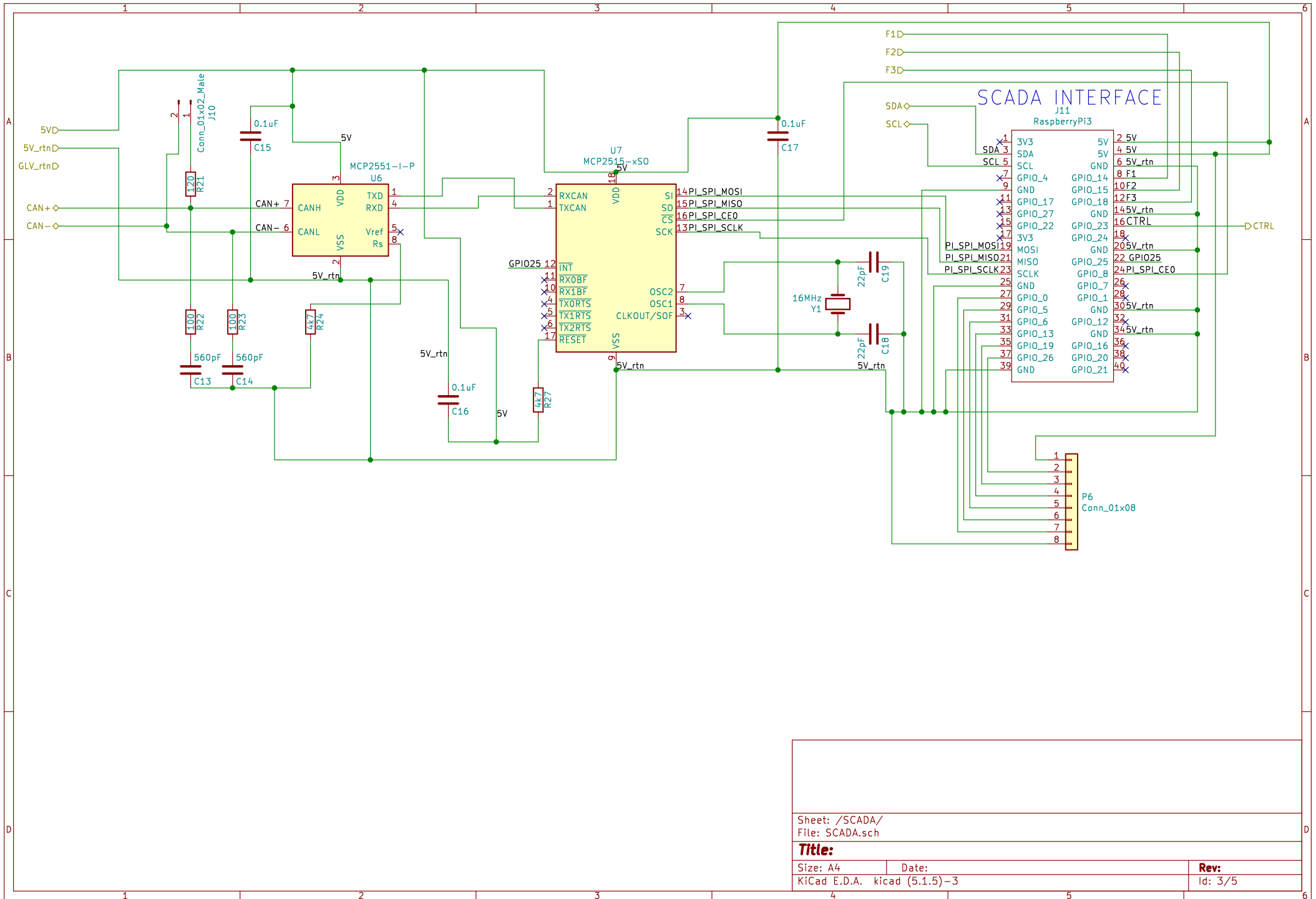
**Title: GLV/Safety BoB**

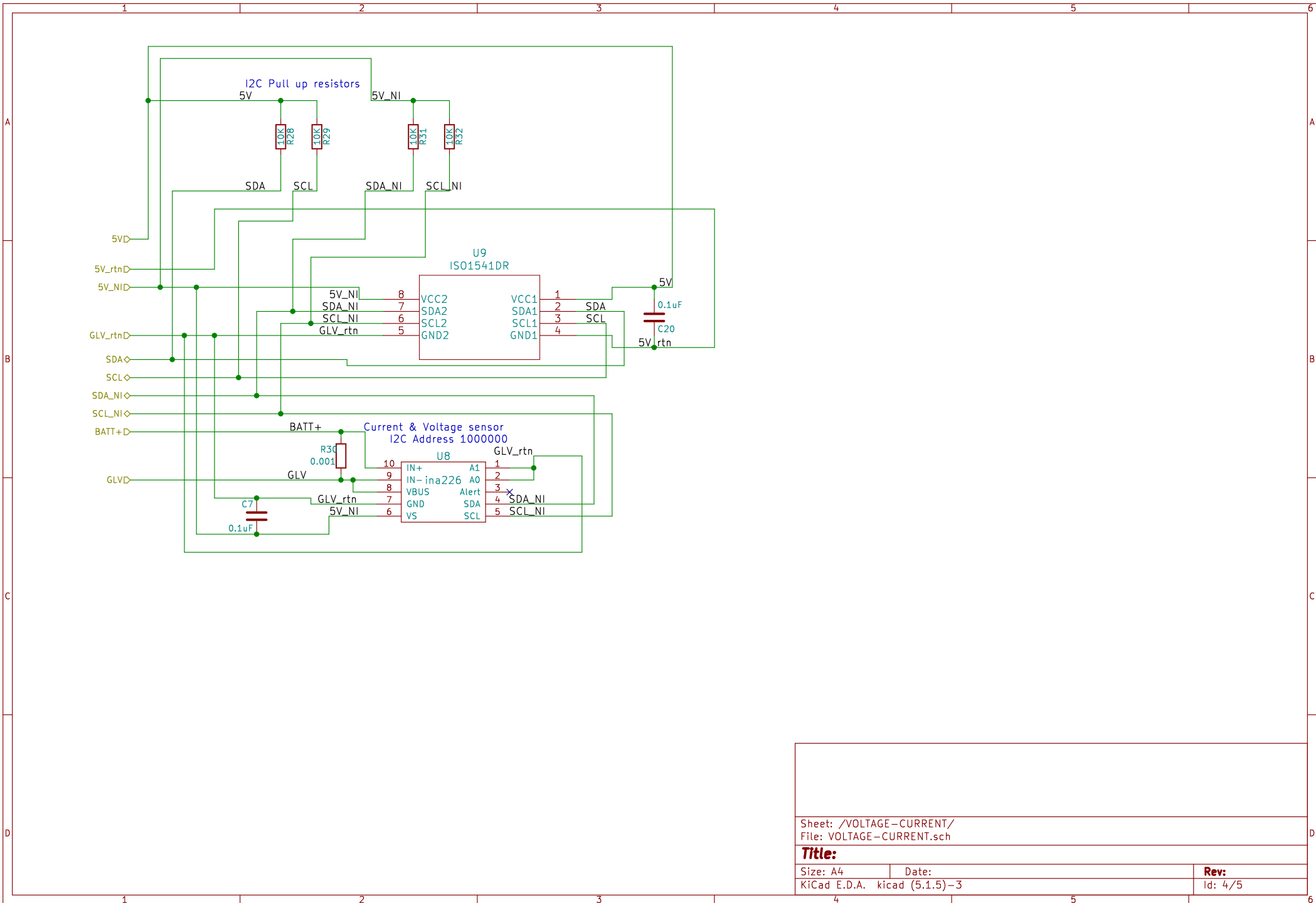
|                              |                  |                 |
|------------------------------|------------------|-----------------|
| Size: A4                     | Date: 2019-10-01 | <b>Rev: 4.5</b> |
| KiCad E.D.A. kicad (5.1.5)-3 |                  | Id: 1/5         |



Sheet: /DCDC\_CONVERTERS/  
 File: DCDC\_CONVERTERS.sch

|                              |       |             |
|------------------------------|-------|-------------|
| <b>Title:</b>                |       | <b>Rev:</b> |
| Size: A4                     | Date: |             |
| KiCad E.D.A. kicad (5.1.5)-3 |       | Id: 2/5     |





Sheet: /VOLTAGE-CURRENT/  
 File: VOLTAGE-CURRENT.sch

**Title:**

Size: A4  
 KiCad E.D.A. kicad (5.1.5)-3

Date:

**Rev:**

Id: 4/5

