

Manufacturer/Digikey P/N for receptacle:
 71600-020LF, 609-1741-ND



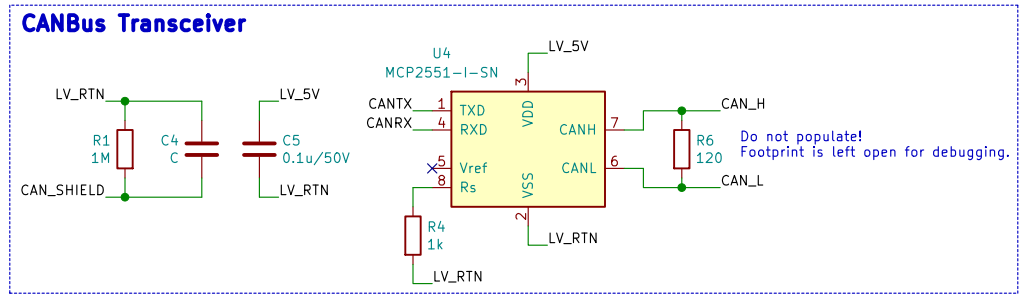
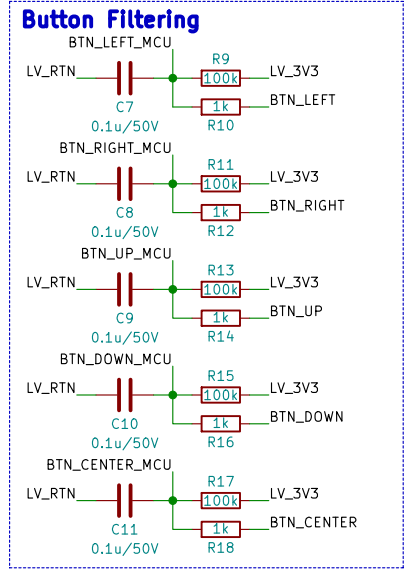
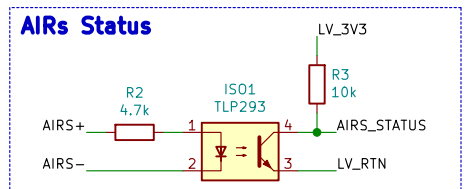
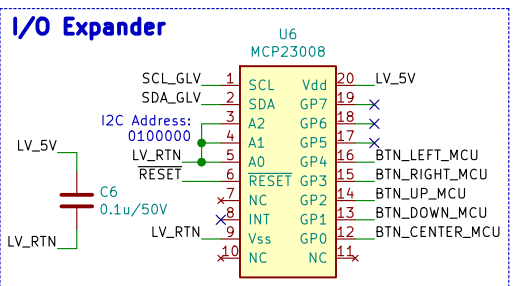
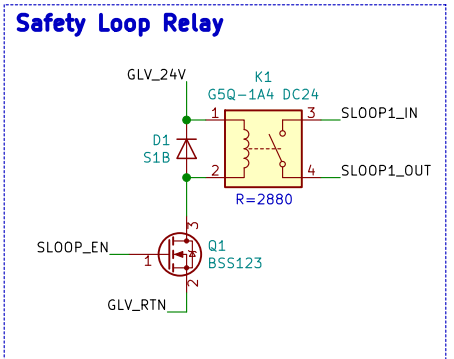
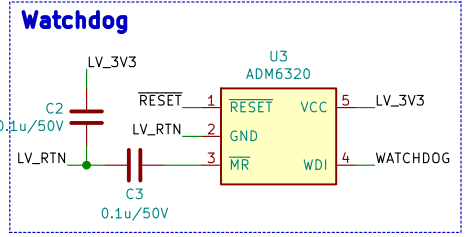
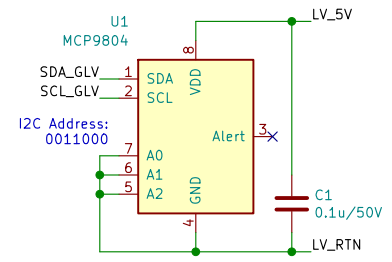
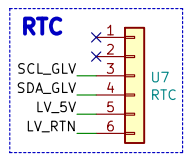
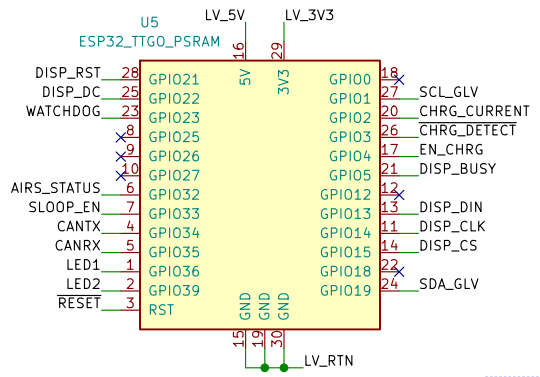
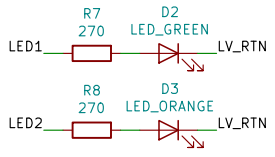
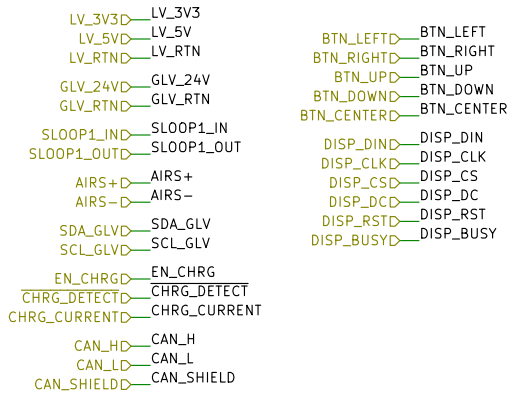
Jon Abel
 PacMan accumulator management board
 Lafayette College

Sheet: /
 File: PacMan.sch

Title: PacMan

Size: A Date: 2019-11-19
 KiCad E.D.A. kicad (5.1.4)-1

Rev: 1.0
 Id: 1/5

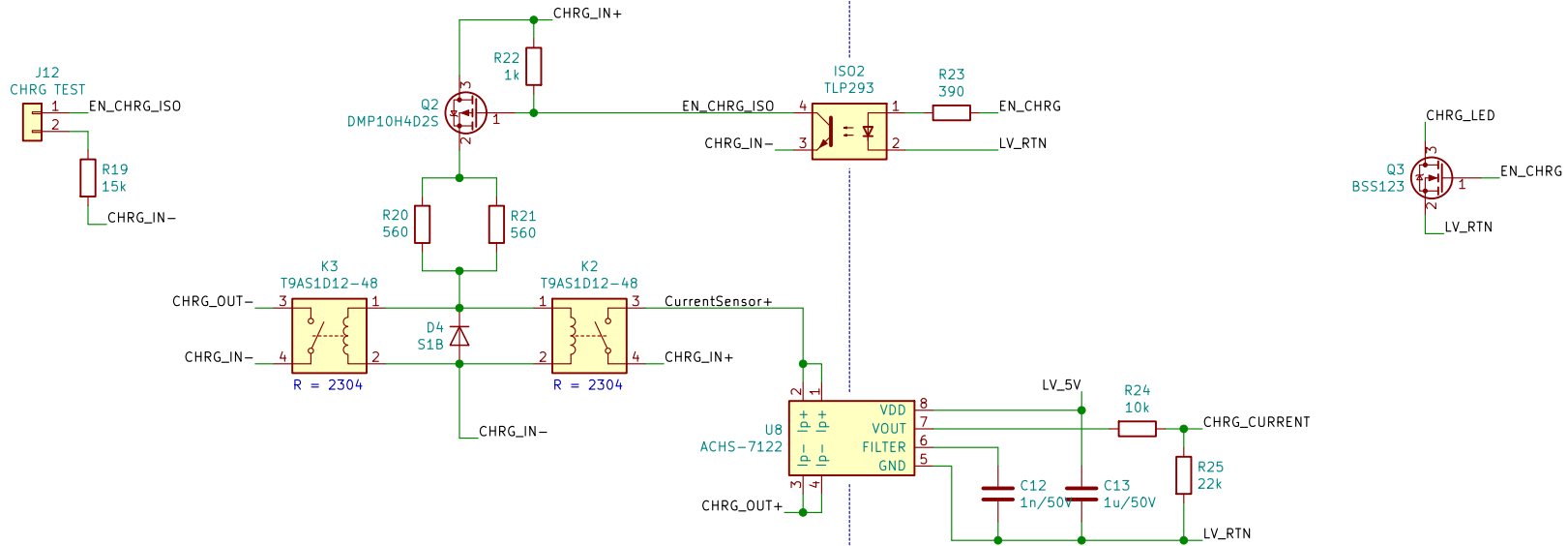


Jon Abel
 MCU, SLOOP, CANBus: Contains the controlling MCU, SLOOP relay, and CAN transceiver
Lafayette College
 Sheet: /MCU/
 File: MCU.sch
Title: PacMan: MCU, SLOOP, CANBus
 Size: A Date: 2019-11-19 Rev: 1.0
 KiCad E.D.A. kicad (5.1.4)-1 Id: 2/5

TSV GLV

CHRG_IN+ — CHRG_IN+
 CHRG_IN- — CHRG_IN-
 CHRG_OUT+ — CHRG_OUT+
 CHRG_OUT- — CHRG_OUT-

CHRG_CURRENT — CHRG_CURRENT
 EN_CHRG — EN_CHRG
 CHRG_LED — CHRG_LED
 LV_5V — LV_5V
 LV_RTN — LV_RTN



Jon Abel
 Charging: Controls charging relays and measure charging current

Lafayette College

Sheet: /Charging/
 File: Charging.sch

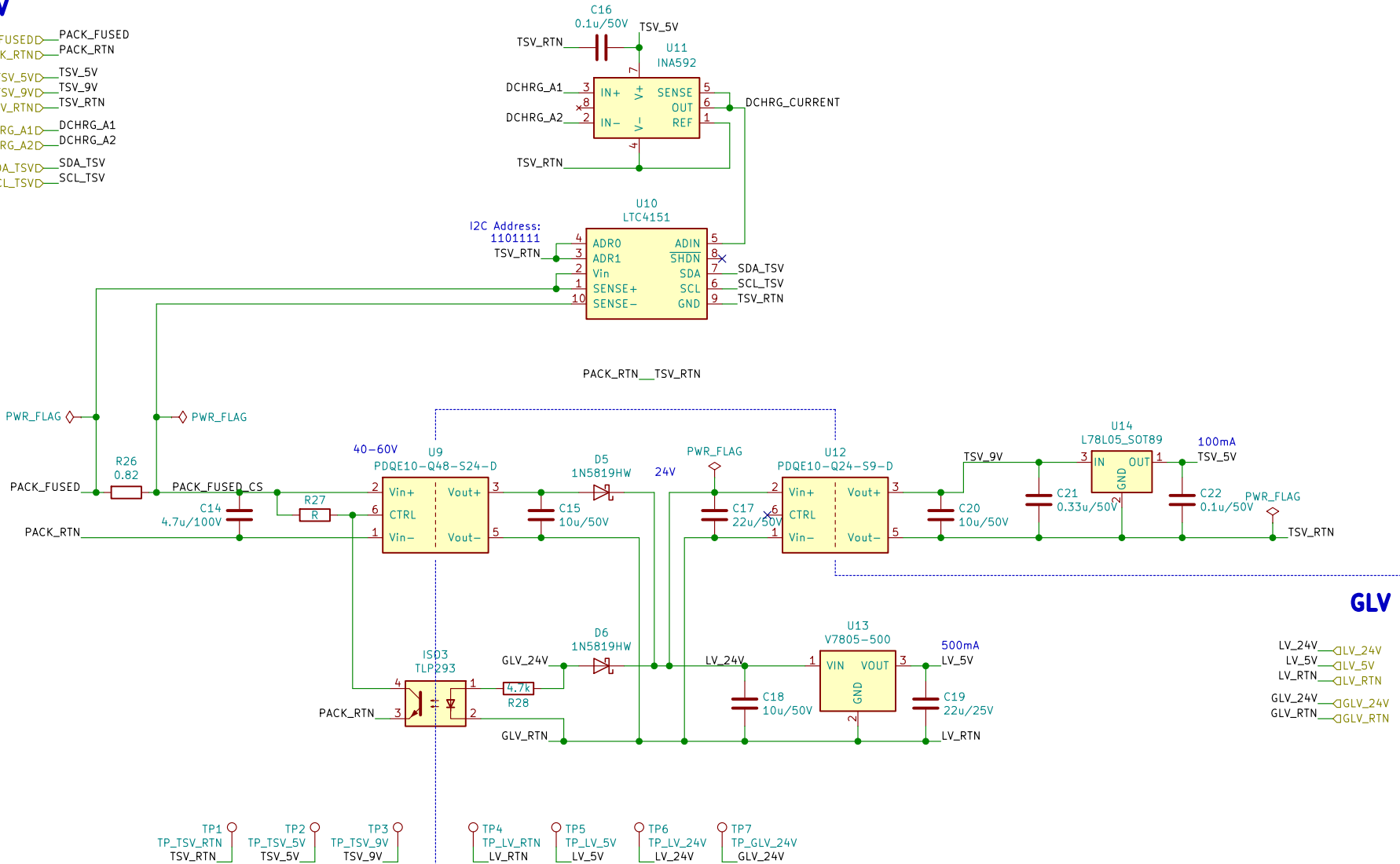
Title: PacMan: Charging

Size: A Date: 2019-11-19
 KiCad E.D.A. kicad (5.1.4)-1

Rev: 1.0
 Id: 3/5

TSV

- PACK_FUSED<> PACK_FUSED
- PACK_RTND<> PACK_RTND
- TSV_5VD<> TSV_5V
- TSV_9VD<> TSV_9V
- TSV_RTND<> TSV_RTND
- DCHRG_A1D<> DCHRG_A1
- DCHRG_A2D<> DCHRG_A2
- SDA_TSV<> SDA_TSV
- SCL_TSV<> SCL_TSV



GLV

- LV_24V<> LV_24V
- LV_5V<> LV_5V
- LV_RTND<> LV_RTND
- GLV_24V<> GLV_24V
- GLV_RTND<> GLV_RTND

Jon Abel
 Power: Creates the necessary power rails for PacMan and CellMen
Lafayette College
 Sheet: /Power/
 File: Power.sch

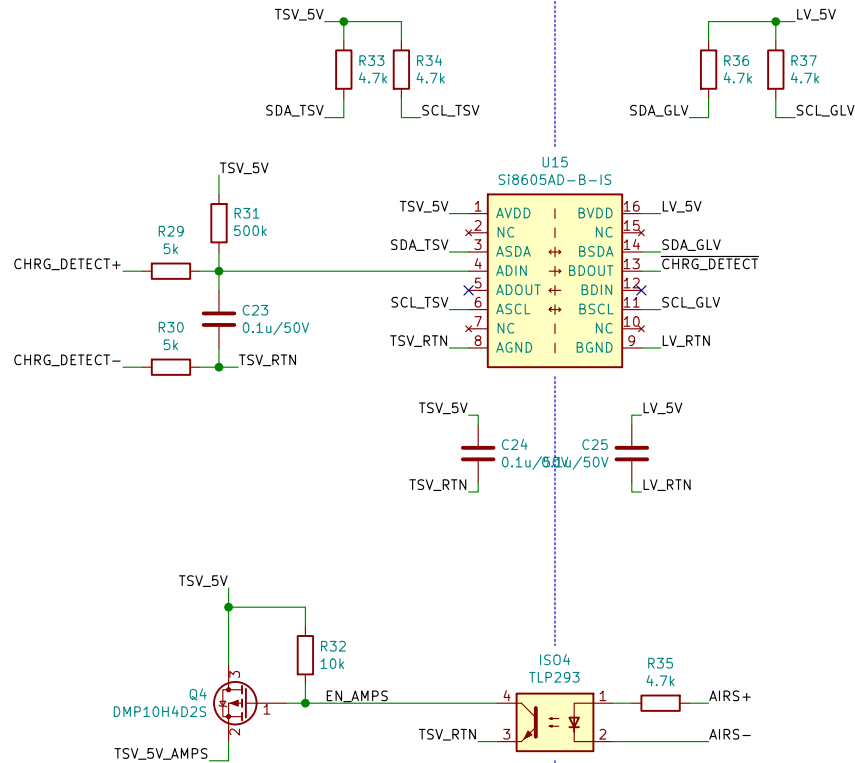
Title: PacMan: Power

Size: A	Date: 2019-11-19	Rev: 1.0
KiCad E.D.A. kicad (5.1.4)-1		Id: 4/5

TSV GLV

TSV_5V — TSV_5V
 TSV_RTND — TSV_RTND
 SDA_TSV — SDA_TSV
 SCL_TSV — SCL_TSV
 CHRG_DETECT+ — CHRG_DETECT+
 CHRG_DETECT- — CHRG_DETECT-
 TSV_5V_AMPS — TSV_5V_AMPS

LV_5V — LV_5V
 LV_RTND — LV_RTND
 SDA_GLV — SDA_GLV
 SCL_GLV — SCL_GLV
 CHRG_DETECT — CHRG_DETECT
 AIRS+ — AIRS+
 AIRS- — AIRS-



Jon Abel
 I2C Isolation: Isolates the I2C bus between GLV and TSV
Lafayette College
 Sheet: /Isolation/
 File: Isolation.sch

Title: PacMan: I2C Isolation

Size: A	Date: 2019-11-19
KiCad E.D.A. kicad (5.1.4)-1	
Rev: 1.0	
Id: 5/5	