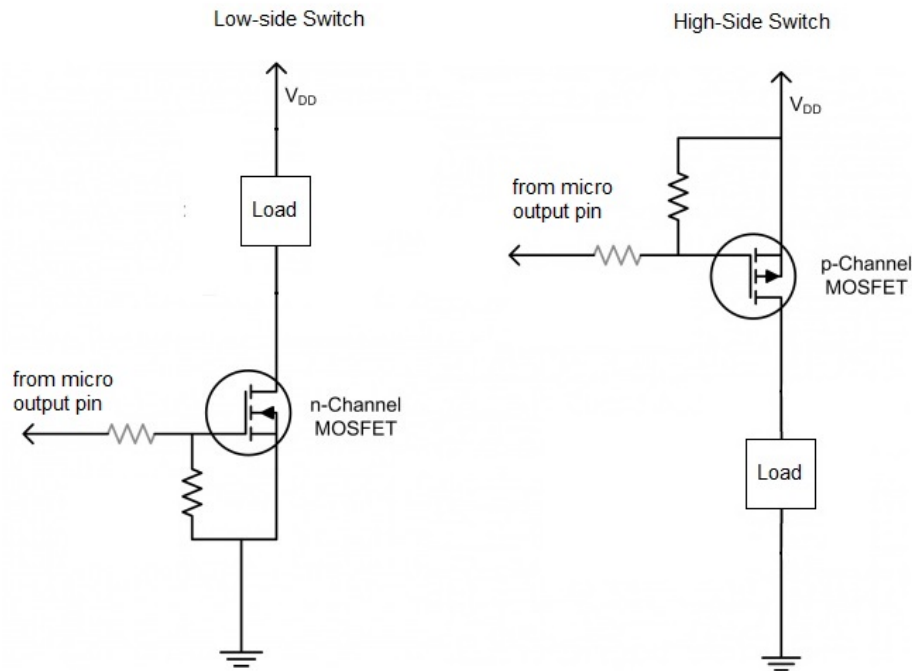


Working Errata for SegMan
03/25/2019
Hayden Dodge

1. Q1 is an N-channel Mosfet and it is currently configure as a high side switch. This will not work. Configure this a low side switch to drive the Charge Relay.



2. The charge circuit needs to be fused. Add 20 A fusing for J8 on both Chrg+ and Chrg-.
3. There is no way for PackMan to know when the Charger is plugged into the ChargePort. See prior PackMan Charge port detection implementation.
 - a. Detect shorted jumper in charger from extra pins in charge port.
 - b. Be able to control the Charge Relay K1 from the Pack User interface.
4. Add version/revision number to schematic. Add date to schematic.
5. Size schematic to fit US Letter size paper. This will make it print better.