

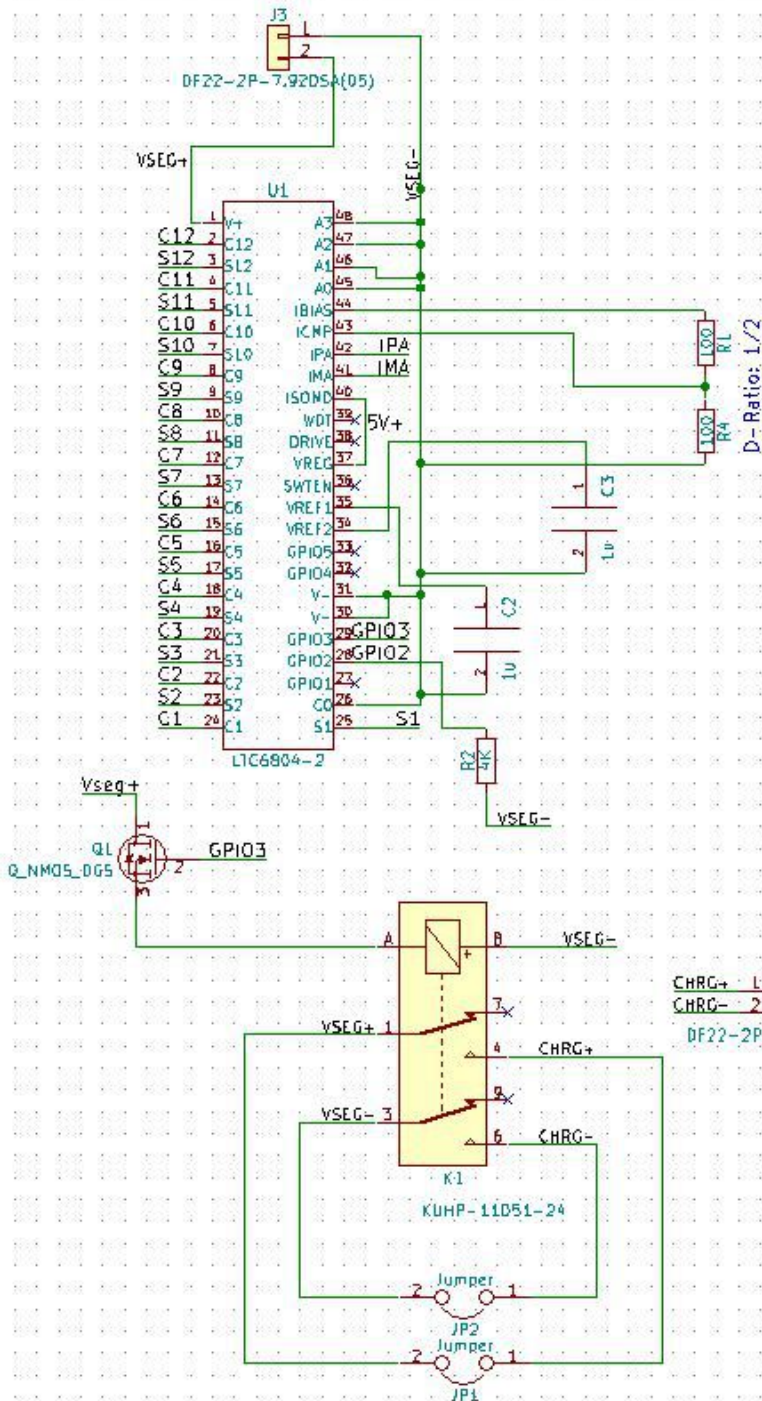
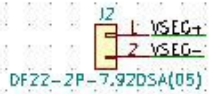
Title: SegMan
 Designer: Yishak Desta
 Date: 01/29/2019
 Reviewers: Chris Nadovich

Communication with CellMan

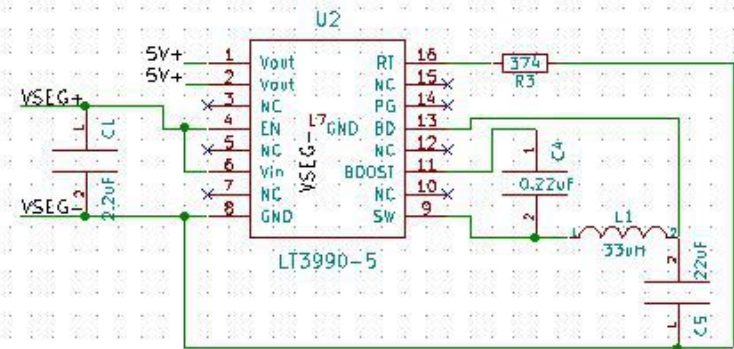
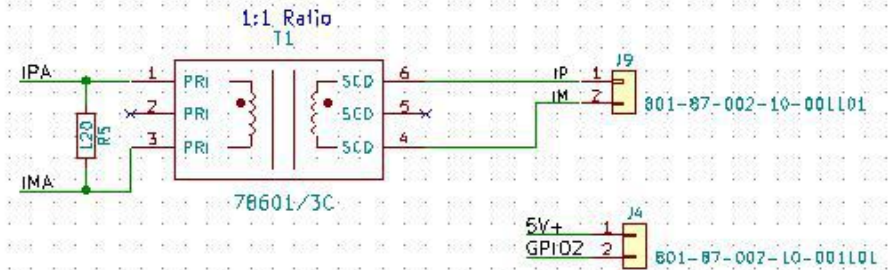
Conn_01x24_Female

24	C12
23	S12
22	C11
21	S11
20	C10
19	S10
18	C9
17	S9
16	C8
15	S8
14	C7
13	S7
12	C6
11	S6
10	C5
9	S5
8	C4
7	S4
6	C3
5	S3
4	C2
3	S2
2	C1
1	S1

J1



ISO SPI communication with PacMan



Sheet: /	
File: SegMan_schematic.sch	
Title:	
Size: A4	Date:
KiCad E.D.A.	kiCad 4.0.7
Rev:	Id: 1/1