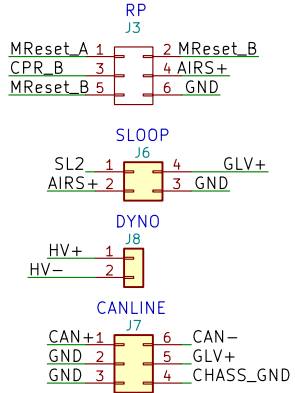
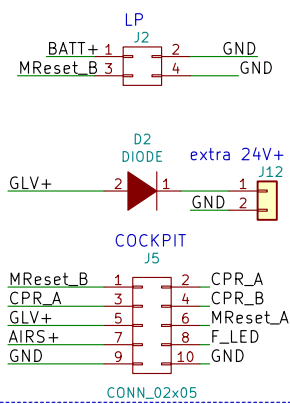


# CONNECTORS

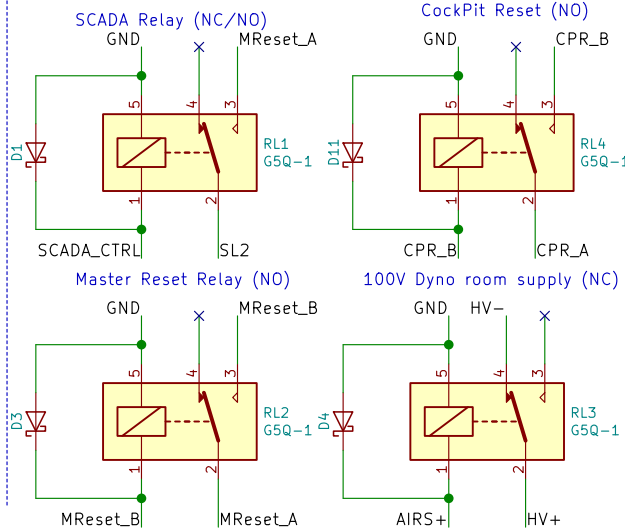
## RIGHTSIDE



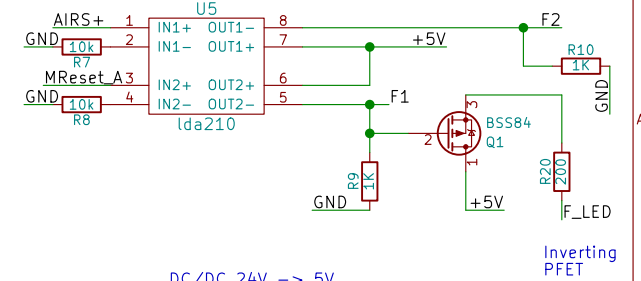
## LEFTSIDE



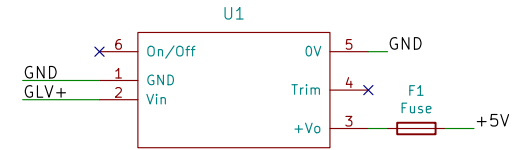
# SLOOP RELAYS



Optoisolator used to inform SCADA on safety loop status



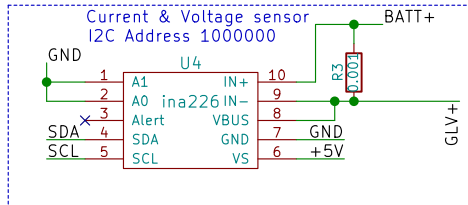
DC/DC 24V -> 5V



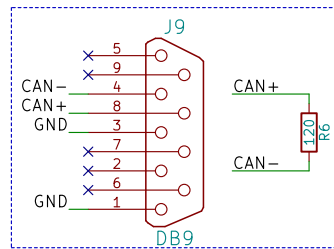
# SAFETY LOOP (24 V, 10 A)rating

## SCADA INTERFACE

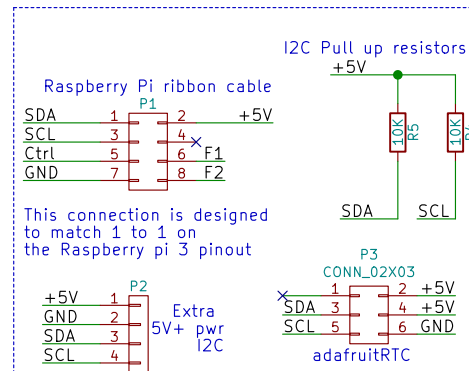
Voltage & Current  
2 Raspberry Pi



## SCADACAN CONNECTOR

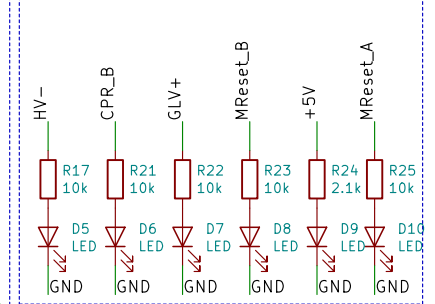


## SCADA PIN CONNECTORS

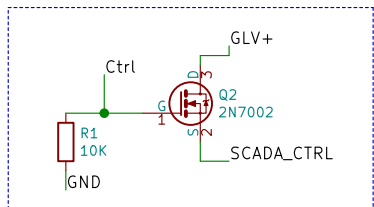


This connection is designed to match 1 to 1 on the Raspberry pi 3 pinout

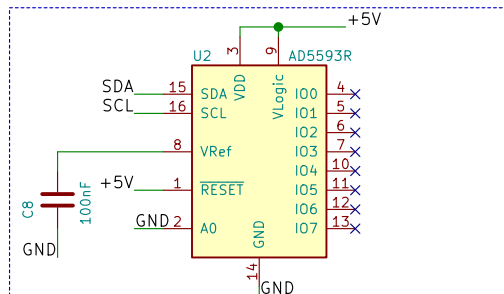
## LED BOARD STATUS LIGHTS



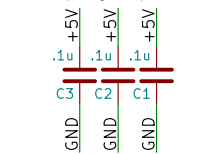
## SCADA RELAY Interface



ADC/DAC/Temp Sensor  
Vref = 2.5V (internal)  
I2C Address 0000000



## Decoupling Caps



Engineer: Maxwell McFarlane  
 Supervisor: Chris Nadovich  
 ECE 492  
 Fall 2018  
**Lafayette College**  
 Sheet: /  
 File: GLV\_BoB.sch

## Title: GLV/Safety BoB

Size: A4 Date: 2018-12-05  
 KiCad E.D.A. kicad (5.0.0-3-g5ebb6b6)

Rev: 3.1  
 Id: 1/1