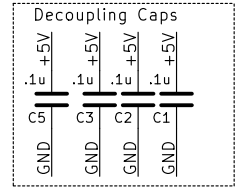
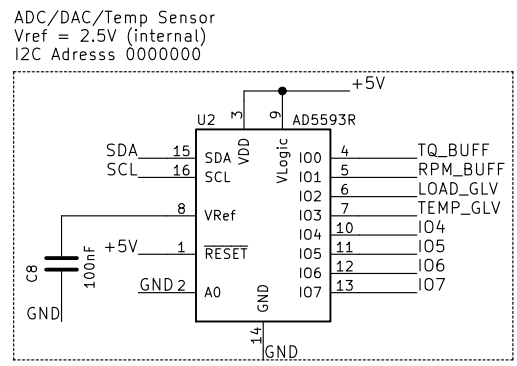
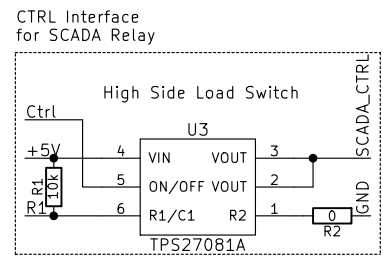
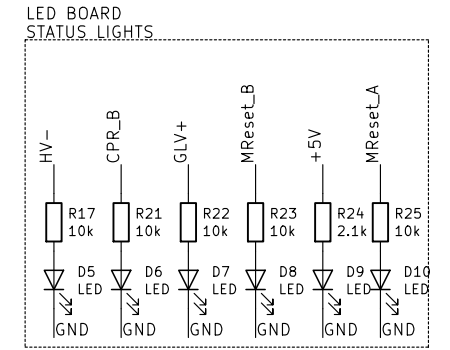
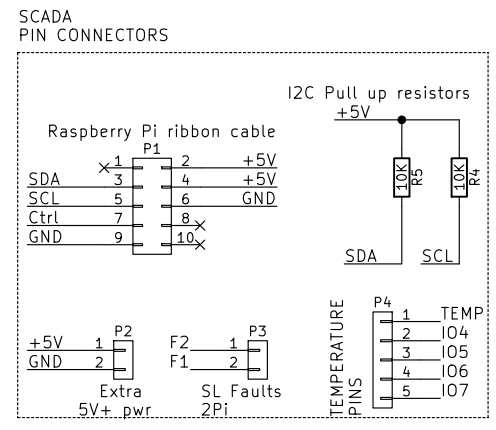
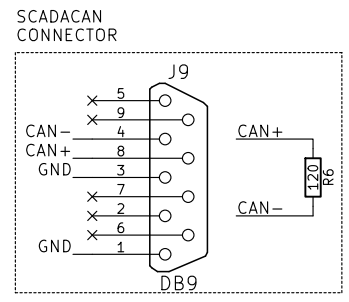
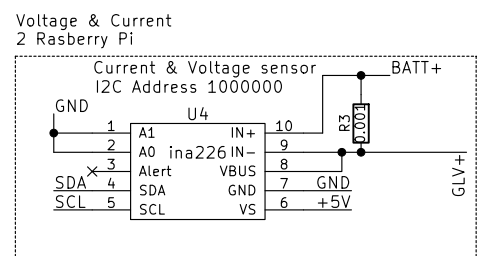


SAFETY LOOP
(24 V, 10 A)rating

SCADA INTERFACE



Engineer: Maxwell McFarlane
Supervisor: Chris Nadovich
ECE 492
Fall 2018
Lafayette College
Sheet: /
File: GLV_BoB.sch

Title: GLV/Safety BoB

Size: A4 Date: 2018-12-05
KiCad E.D.A. kicad (5.0.1)-rc2
Rev: 3.1
Id: 1/1