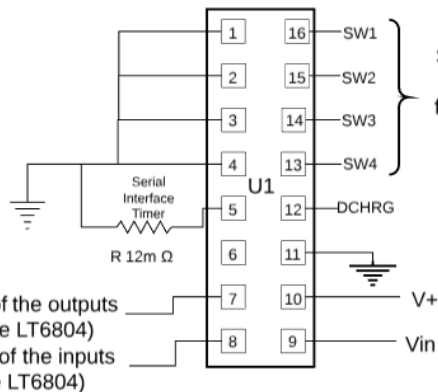
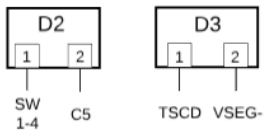


This is a 4-pin connector for communication between the CellMan and SegMan

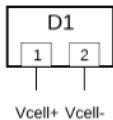


Switches that detect any faults on the CellMan

This chip is a LT8584 and it will be used to actively balance the cells during charging and discharging. It will also communicate with a segman through an LT8604



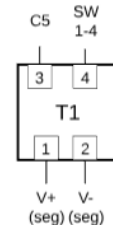
These diode are used to direct the flow of current in one direction



This diode is an LED that will turn on when the CellMan is powered

E1 } 1/8" Screw holes to connect the CellMan to the bus bar
E3 }

E2 } 1/8" Screw holes to connect the CellMan to the bus bar
E4 }



This is a transformer for actively balancing a cell