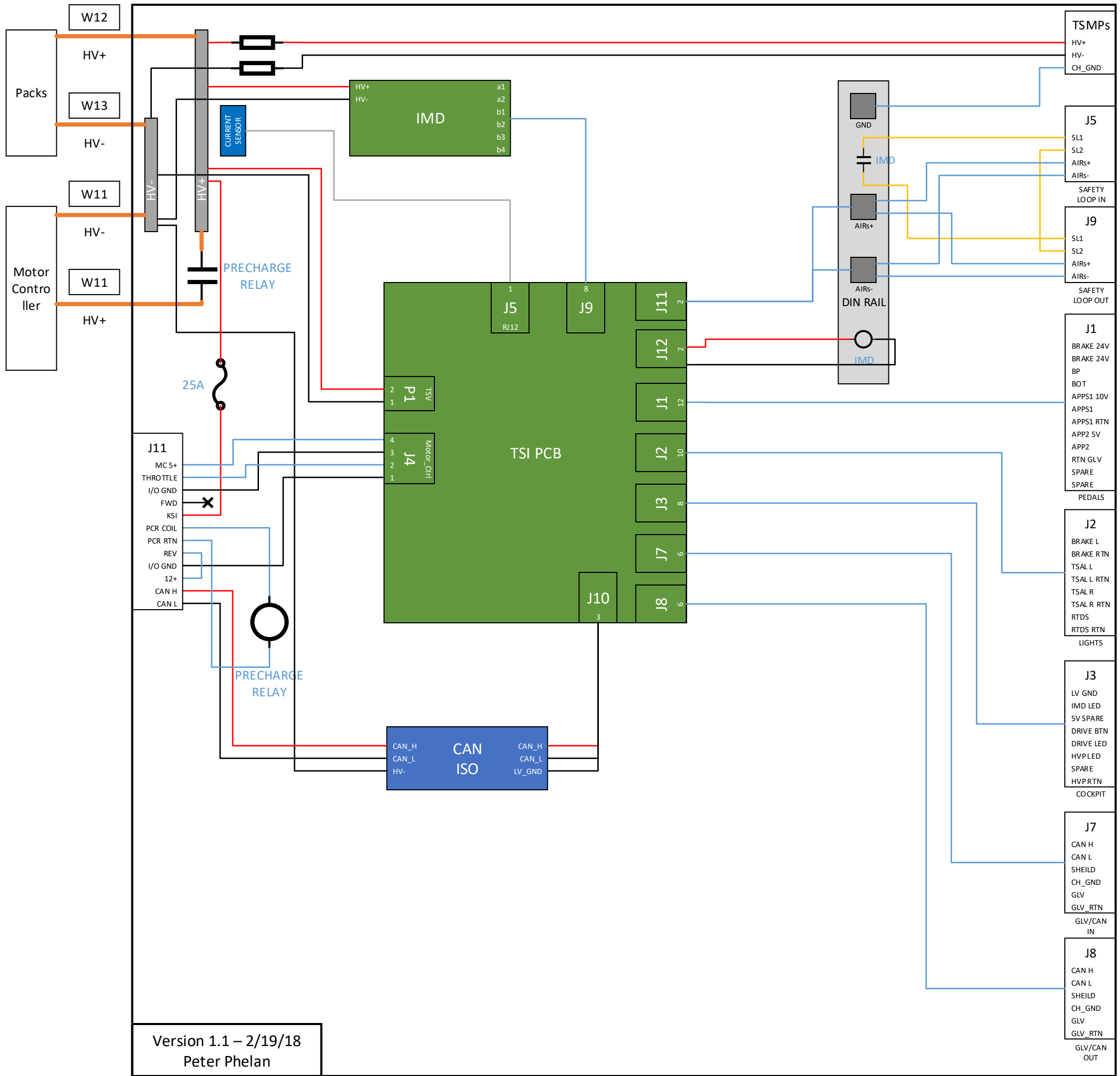


TSI WIRING DIAGRAM



Version 1.1 – 2/19/18
Peter Phelan