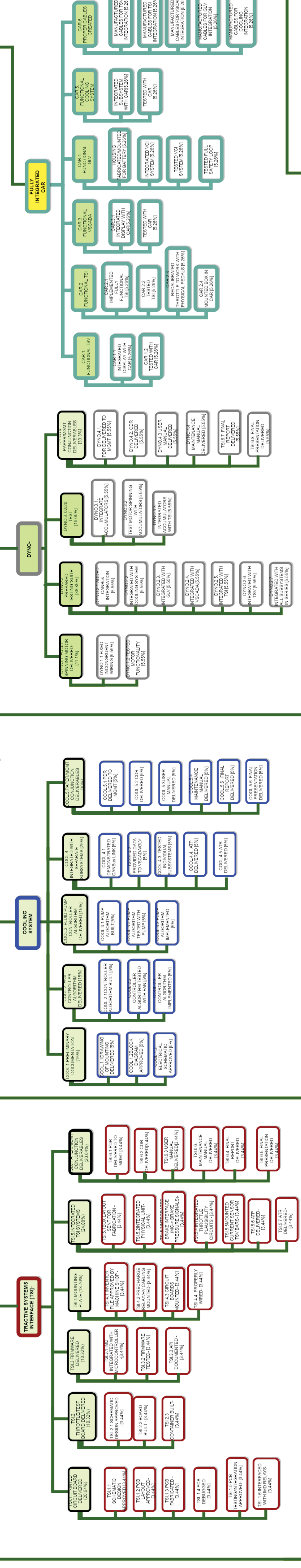


CAR DELIVERED

DYNO INTEGRATION

CAR PHYSICS

MANAGEMENT/PAPER DELIVERABLES

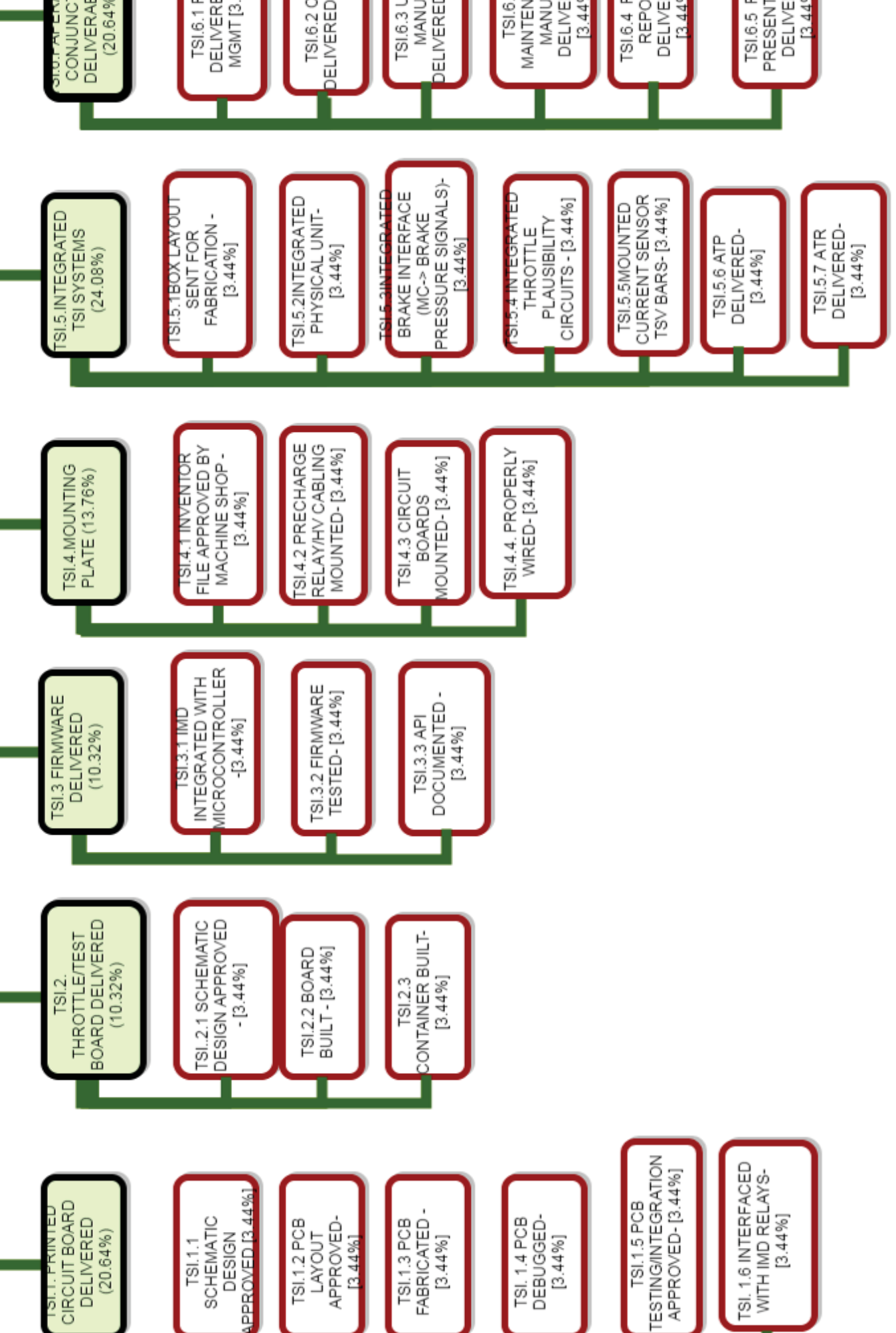
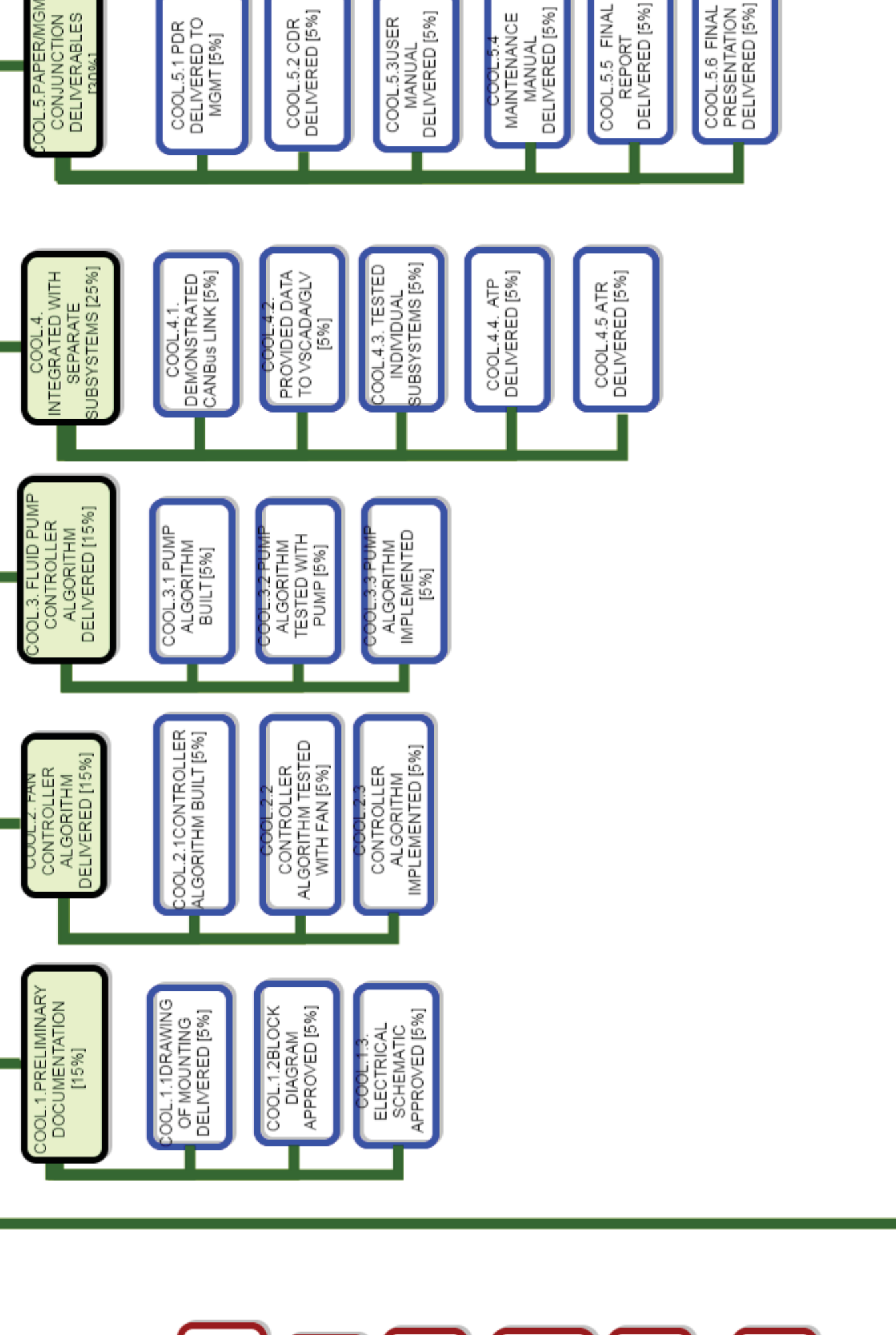
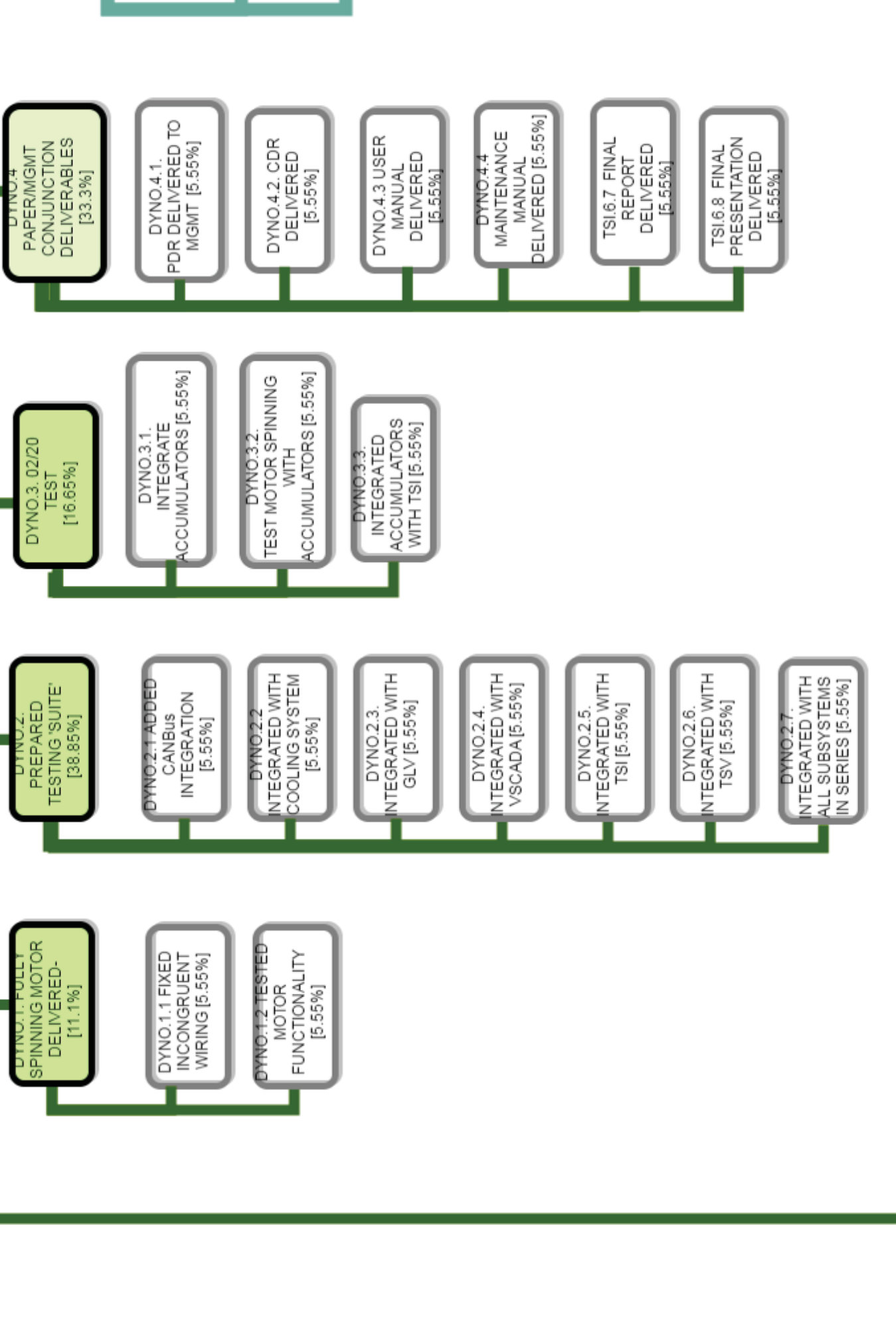
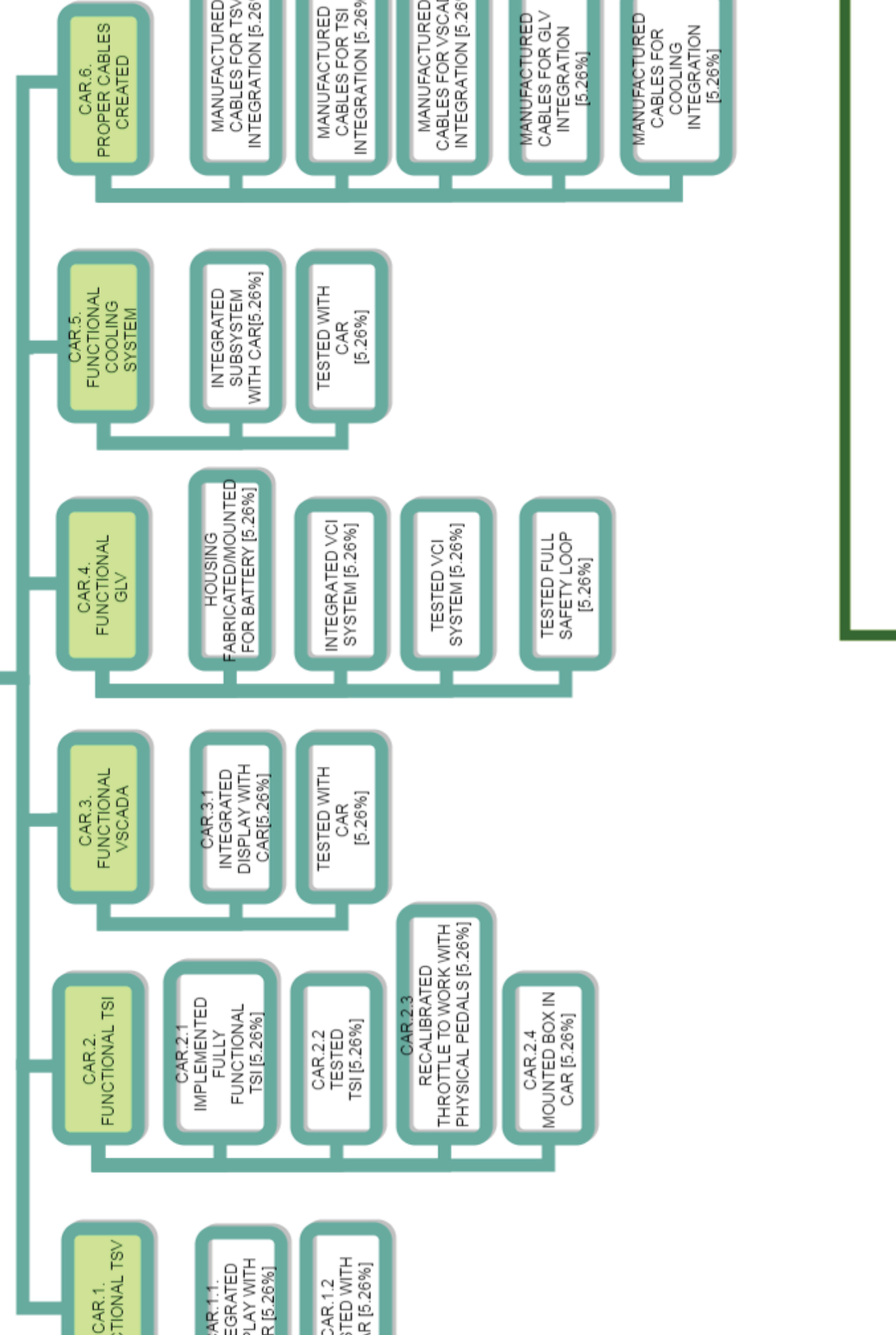


CAR INTEGRATION

DYNO INTEGRATION

CAR PHYSICS

MANAGEMENT/PAPER DELIVERABLES



TRACTIVE SYSTEMS INTERFACES (TSI)

COOLING SYSTEM

DYNOC

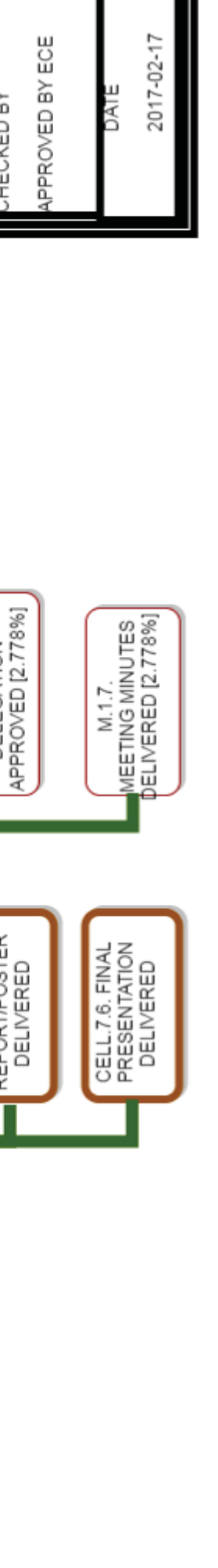
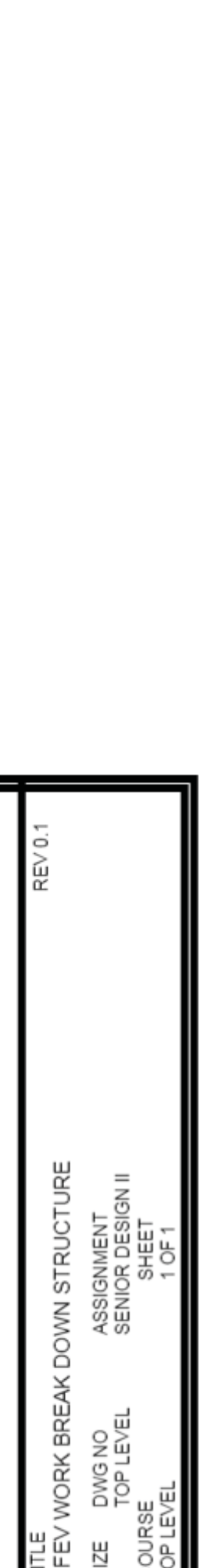
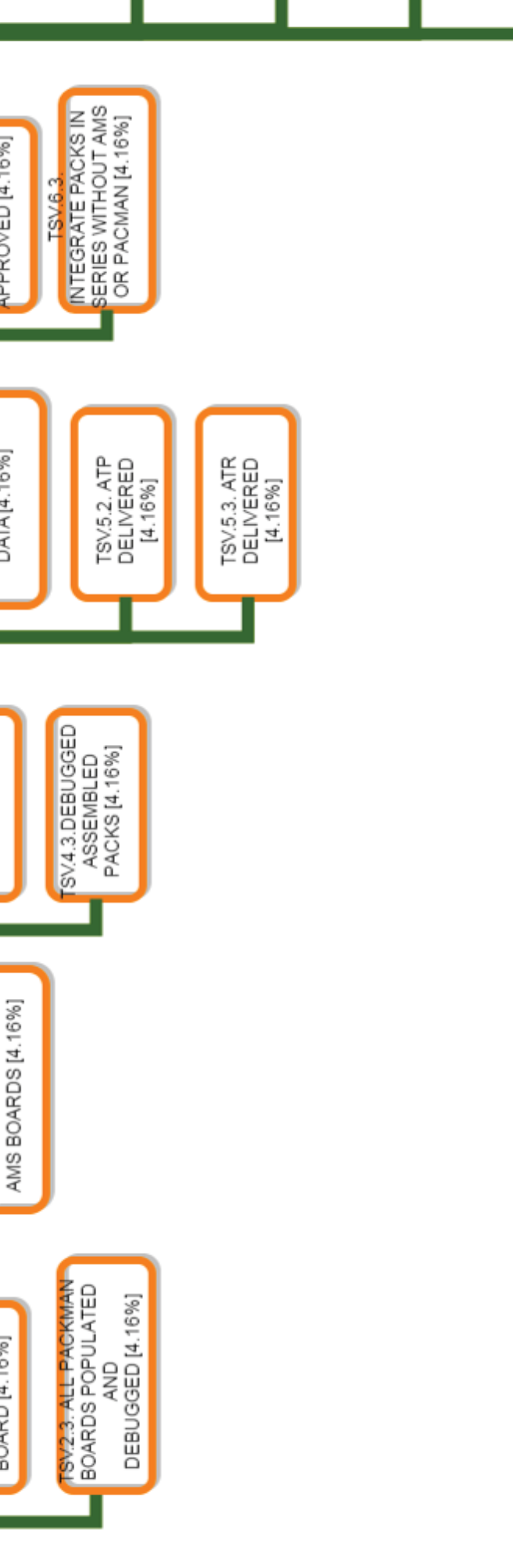
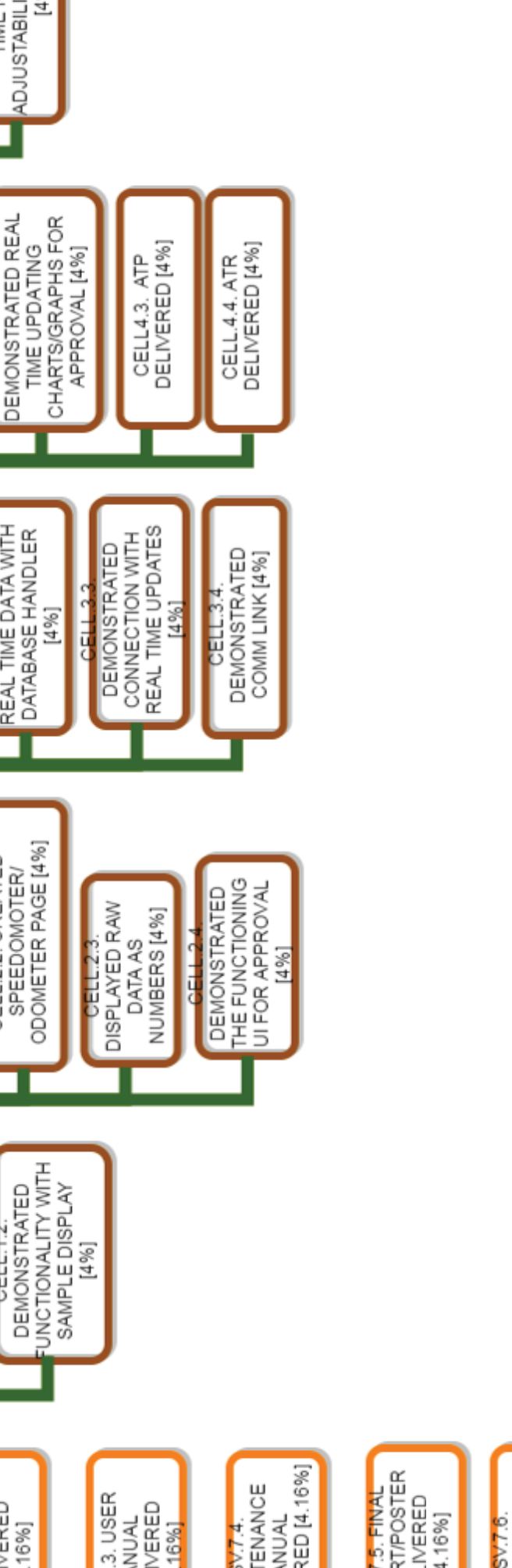
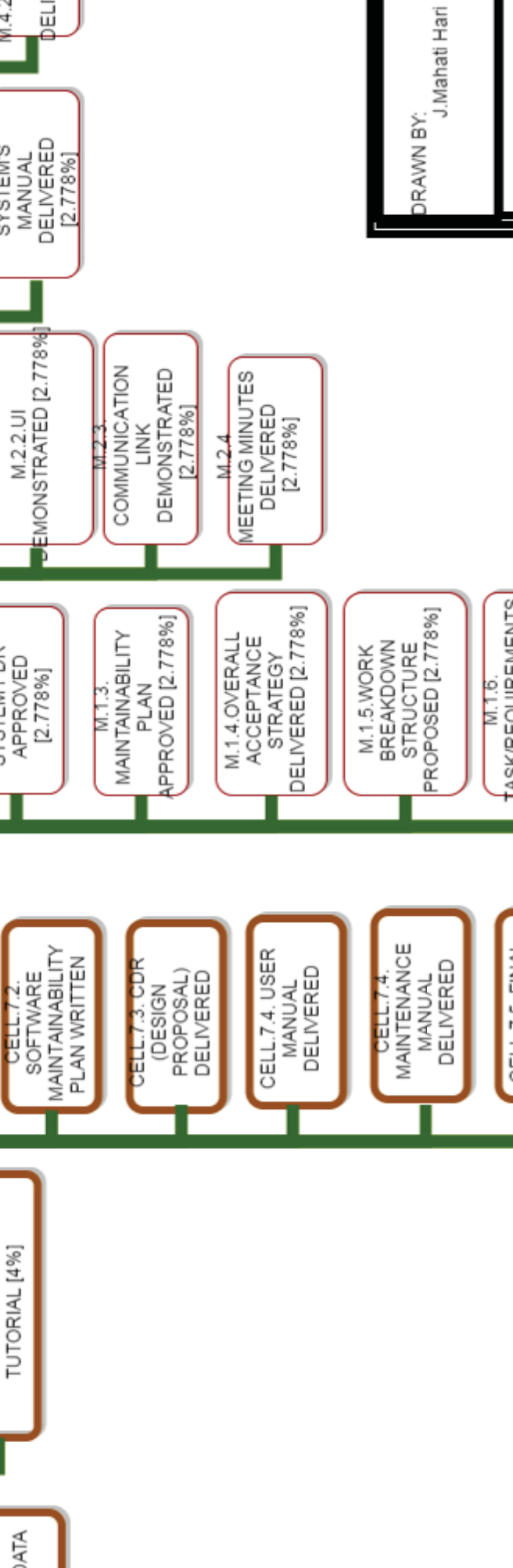
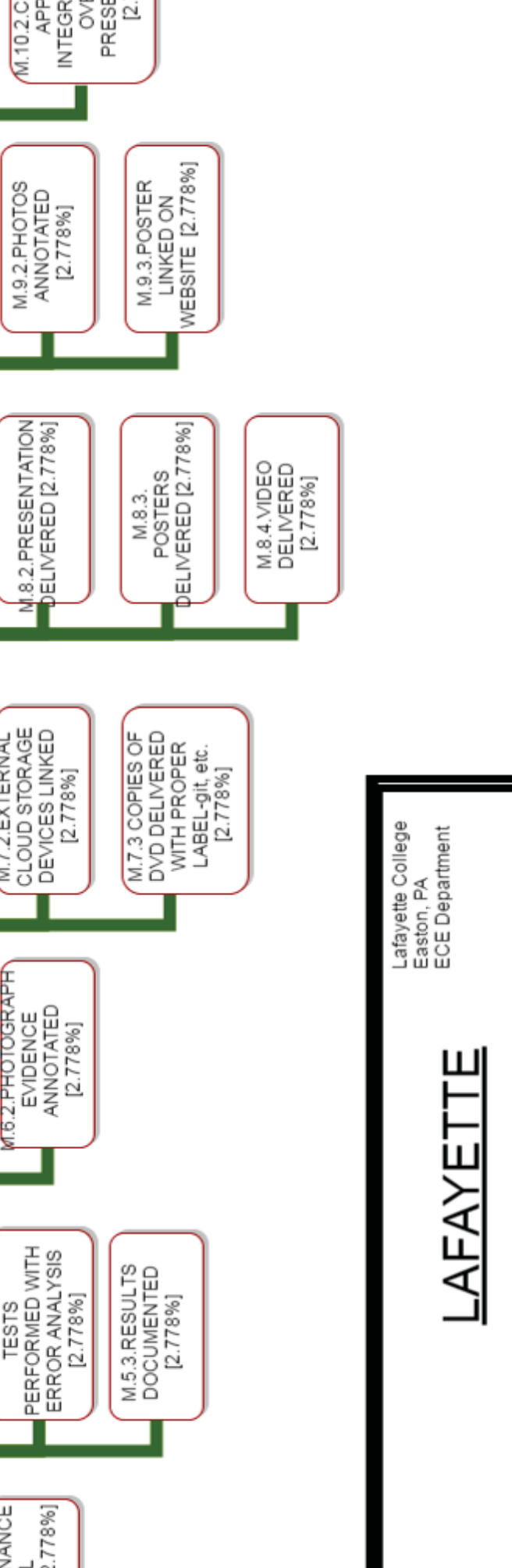
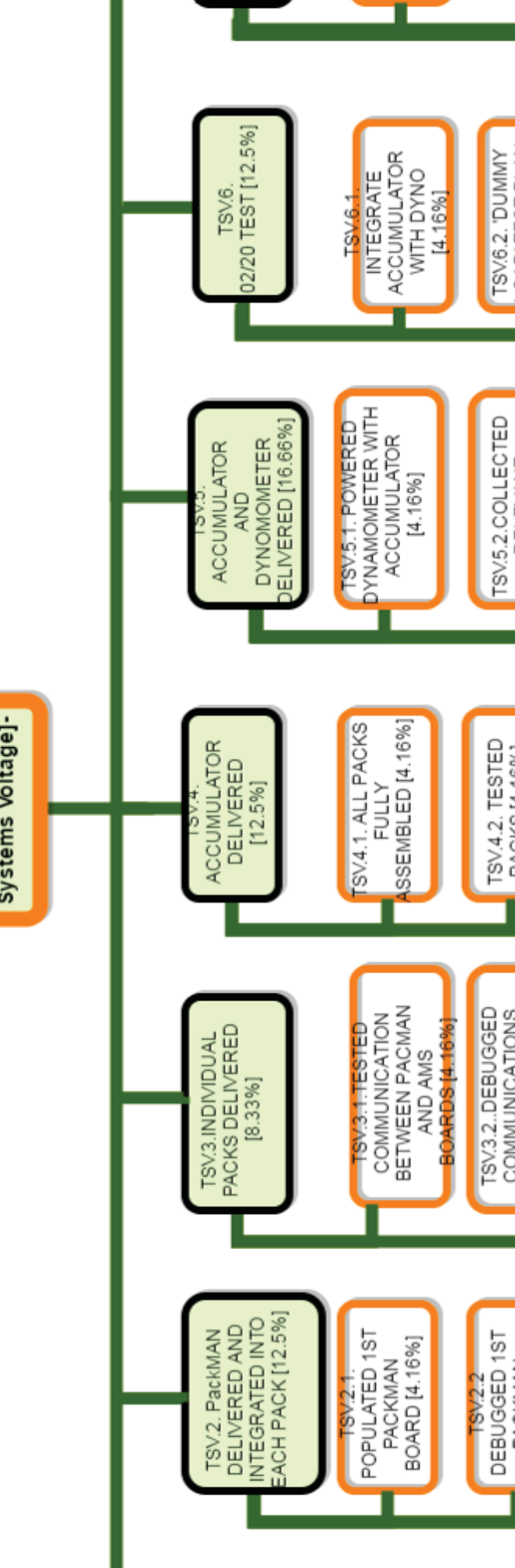
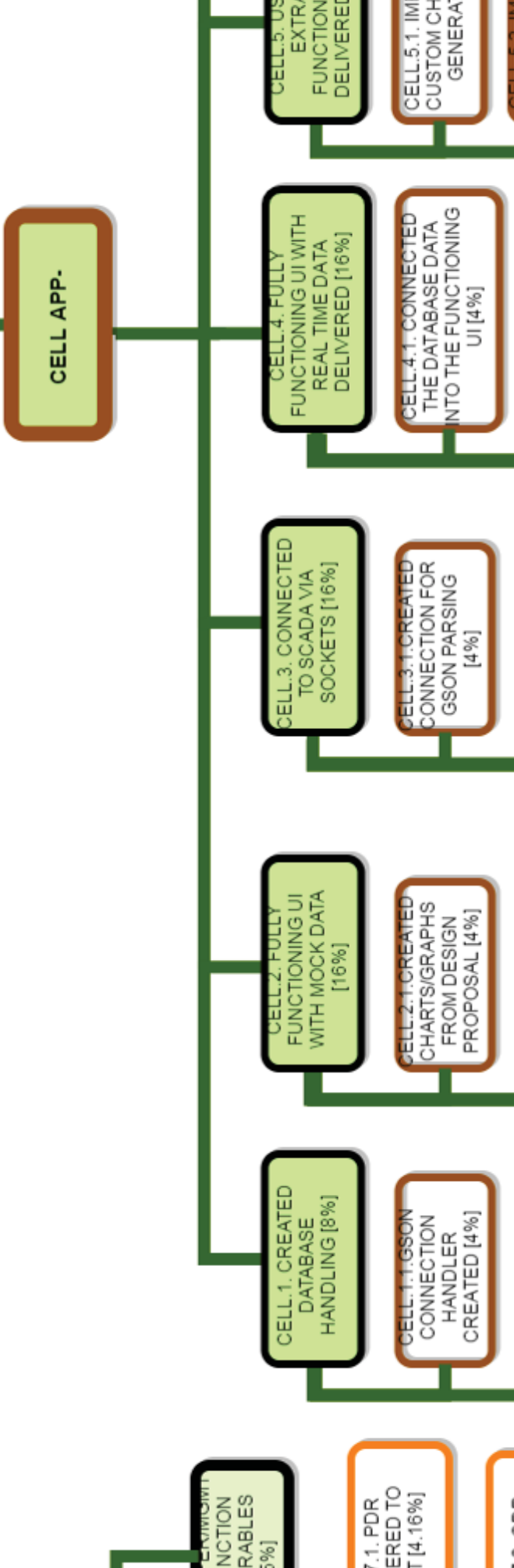
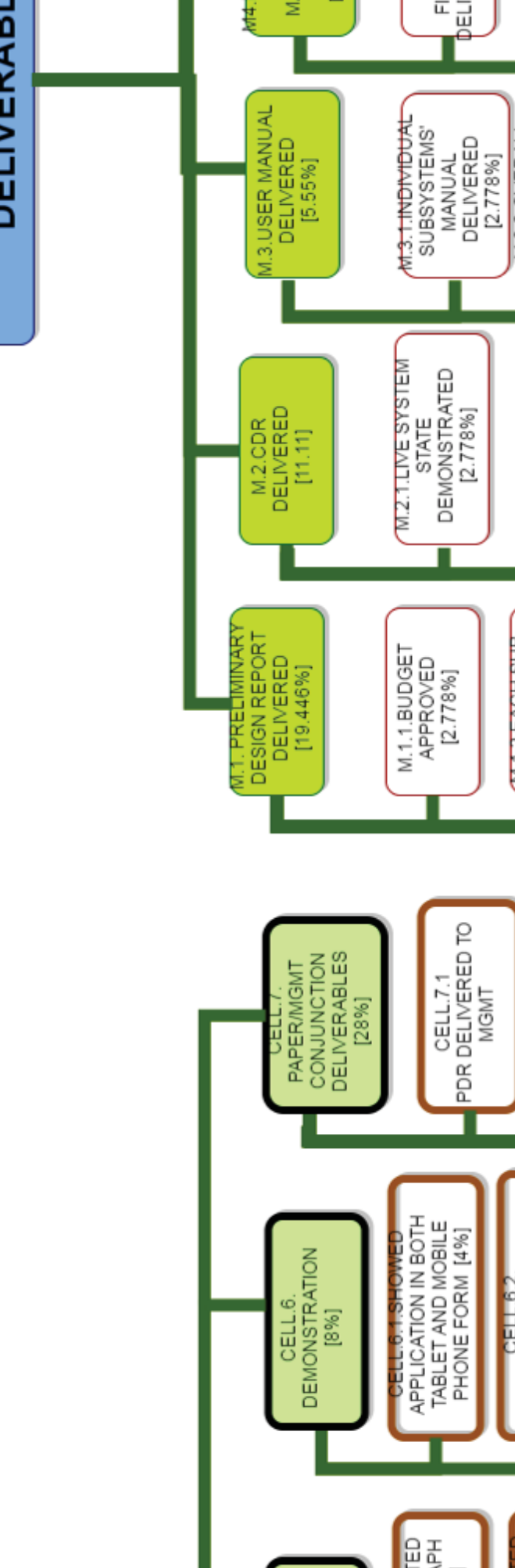
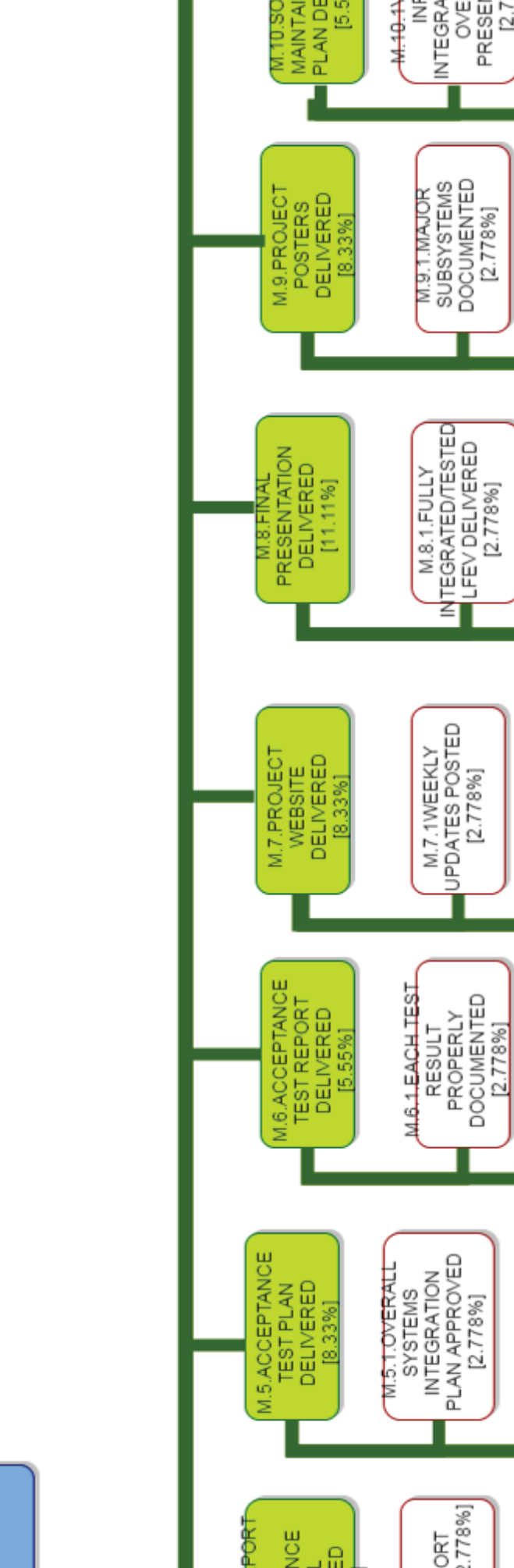
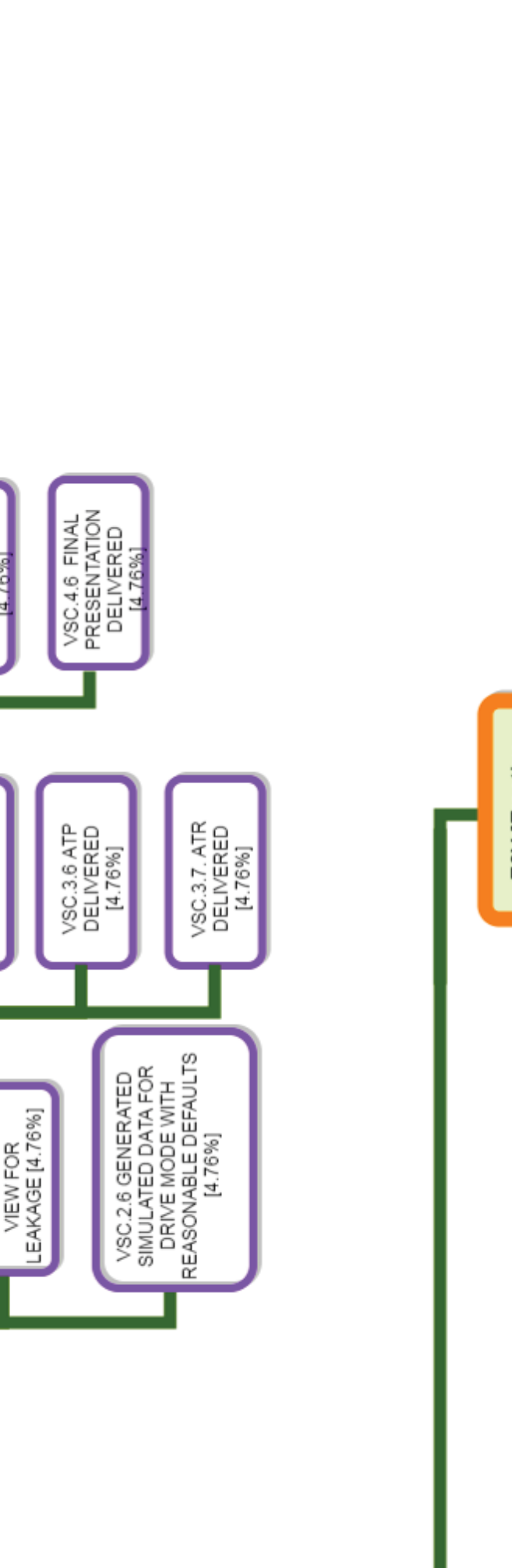
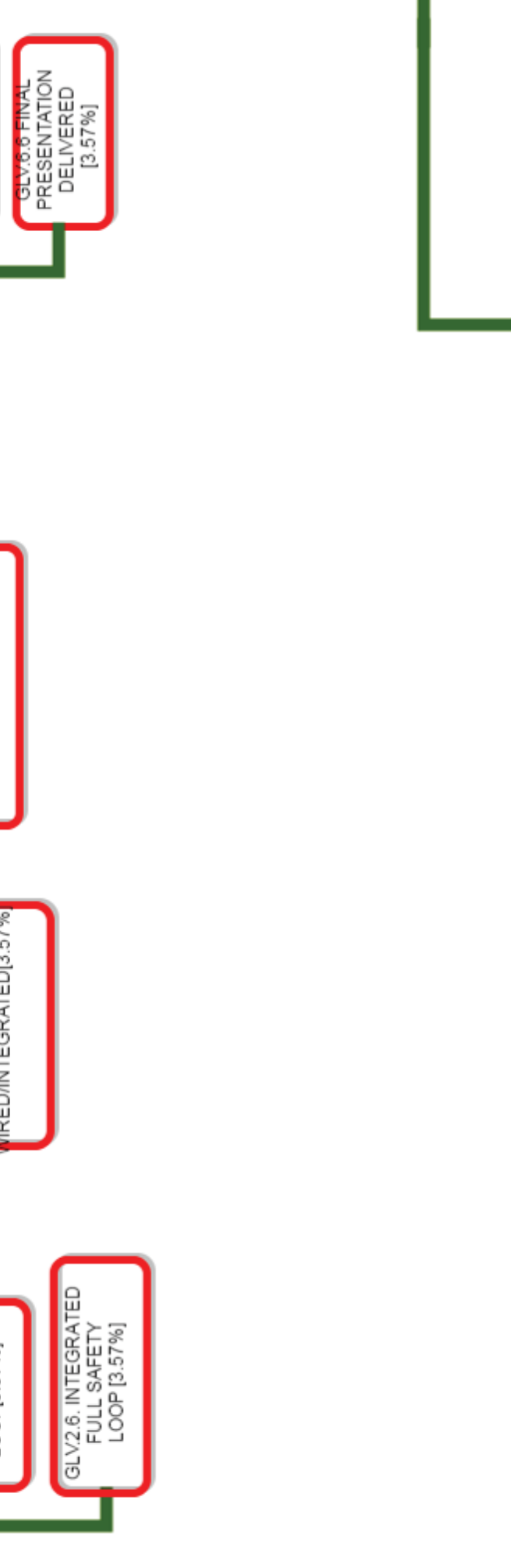
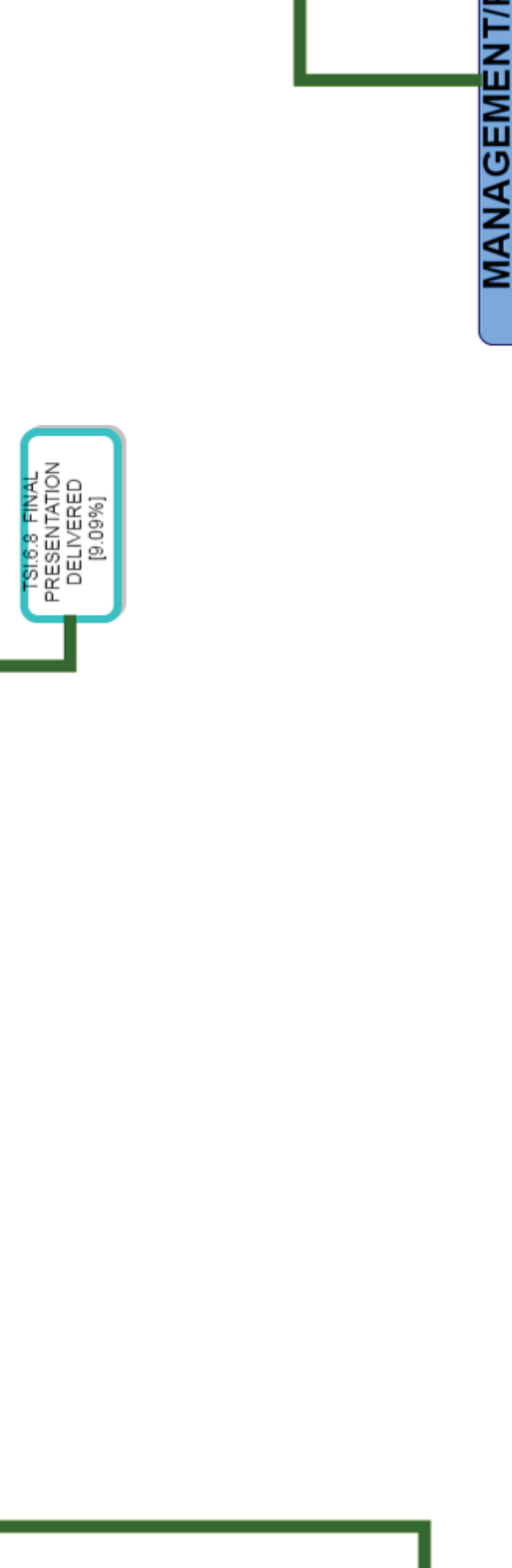
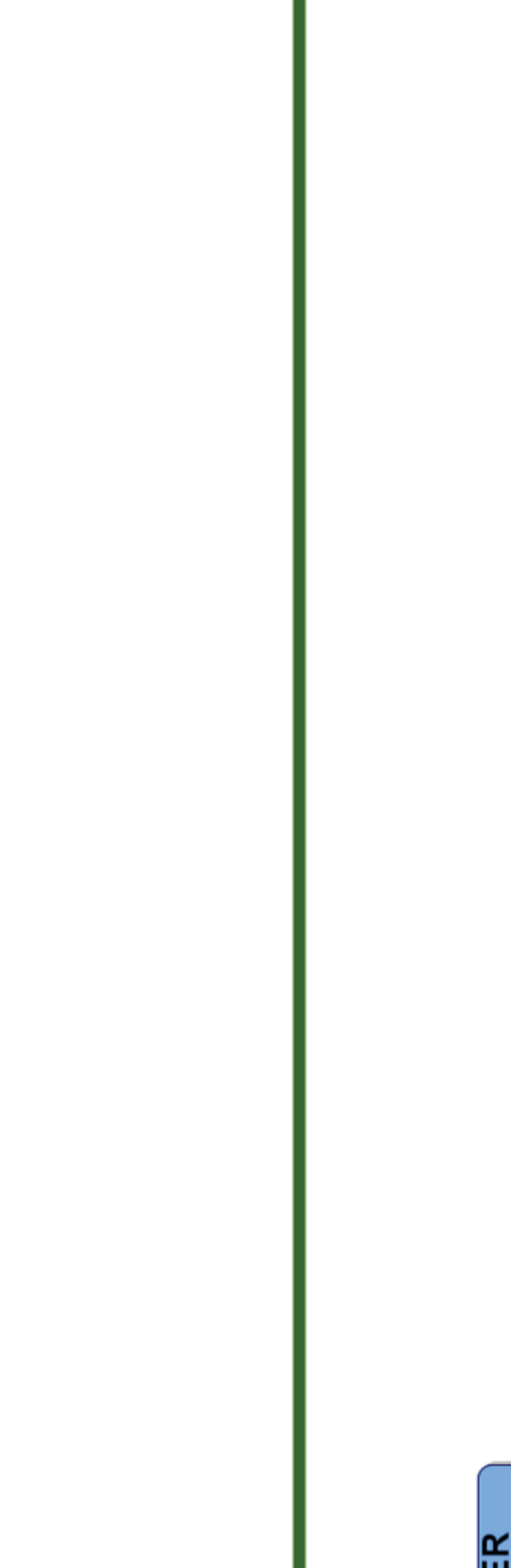
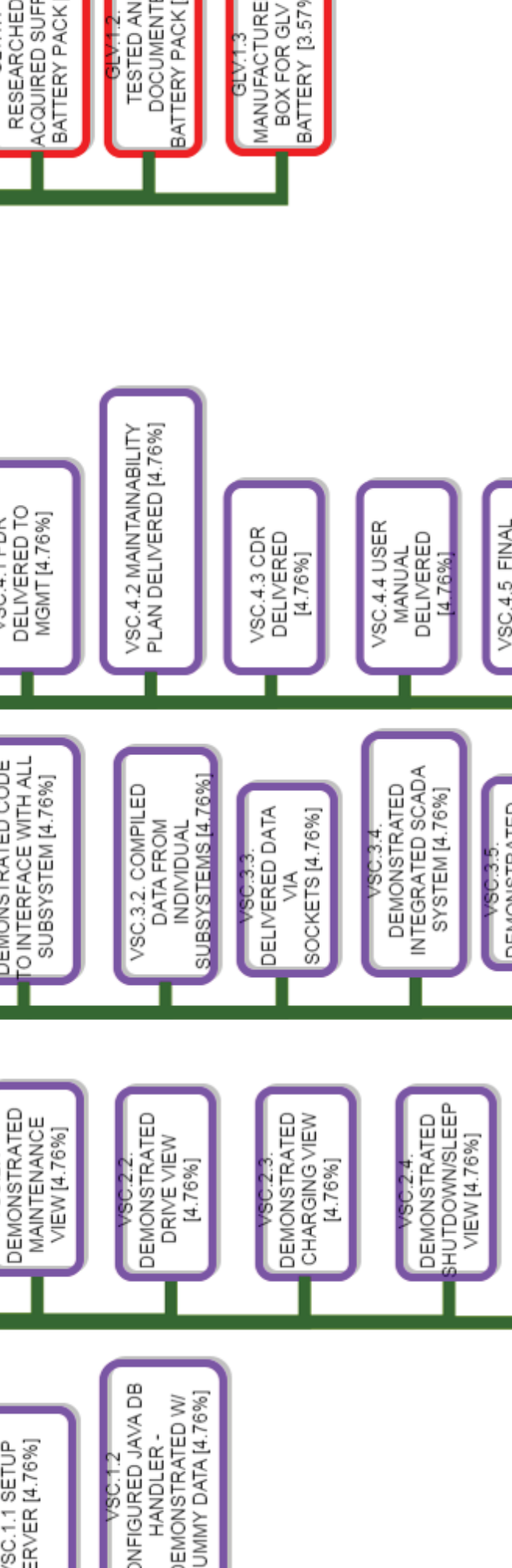
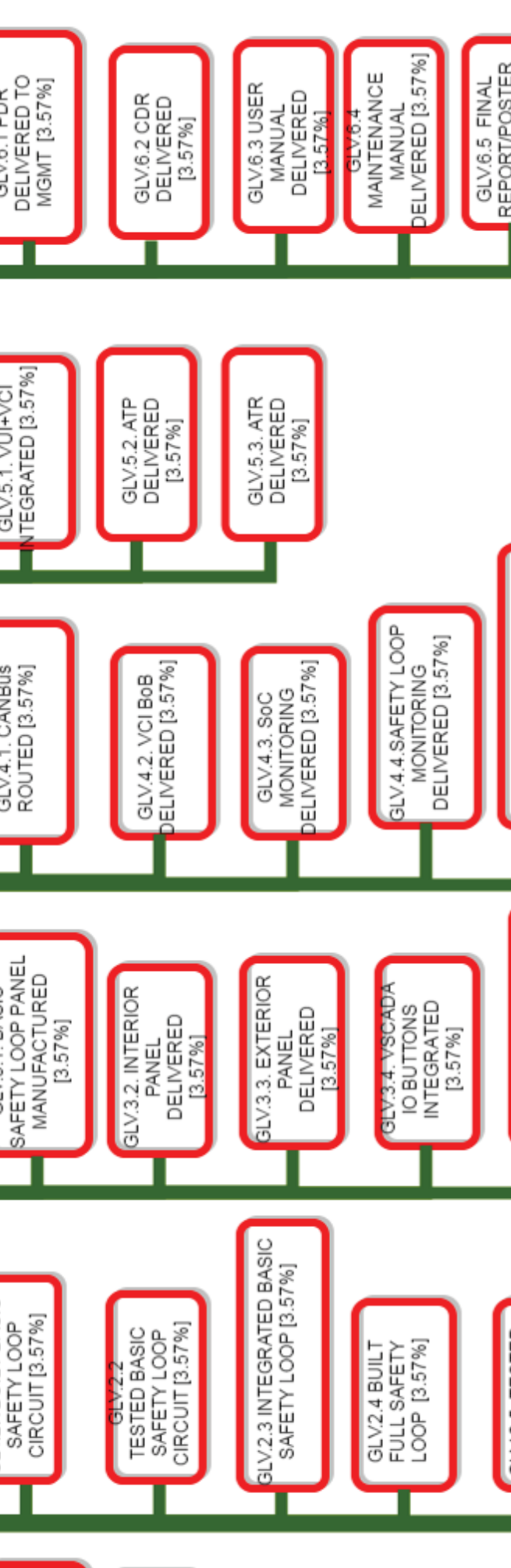
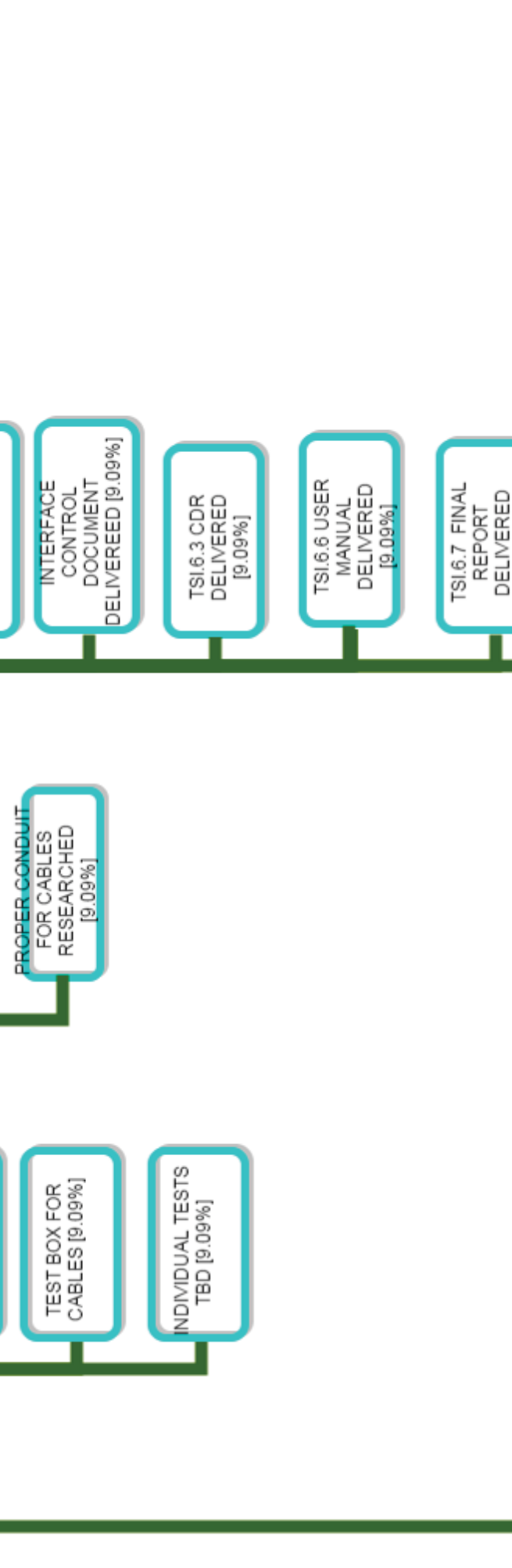
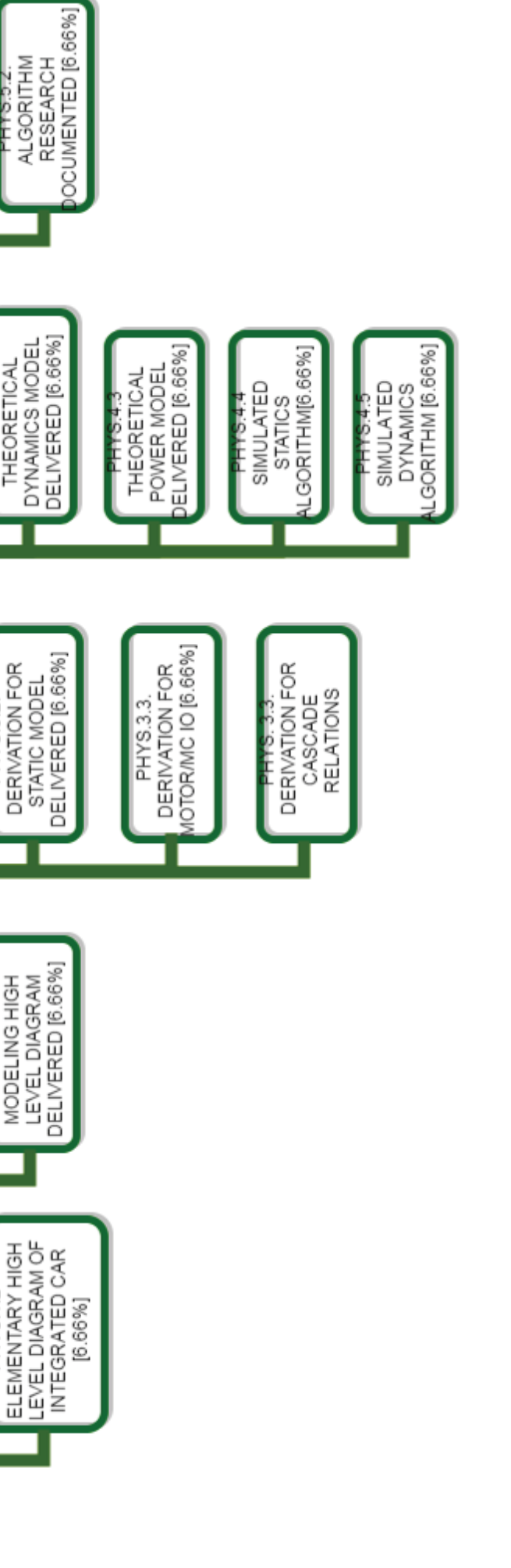
INTERCONNECT

CELL APP.

TSV Training Systems

CELL APP.

CELL APP.



LAFAYETTE
 ECE Department
 FILE WORK/BREAK DOWN STRUCTURE
 DATE: 05/10/2017
 TOP LEVEL: ASSEMBLY I
 SECOND LEVEL: I-01
 DRAWN BY: J. Jaramar
 CHECKED BY: [Blank]
 APPROVED BY: [Blank]
 REV: 01