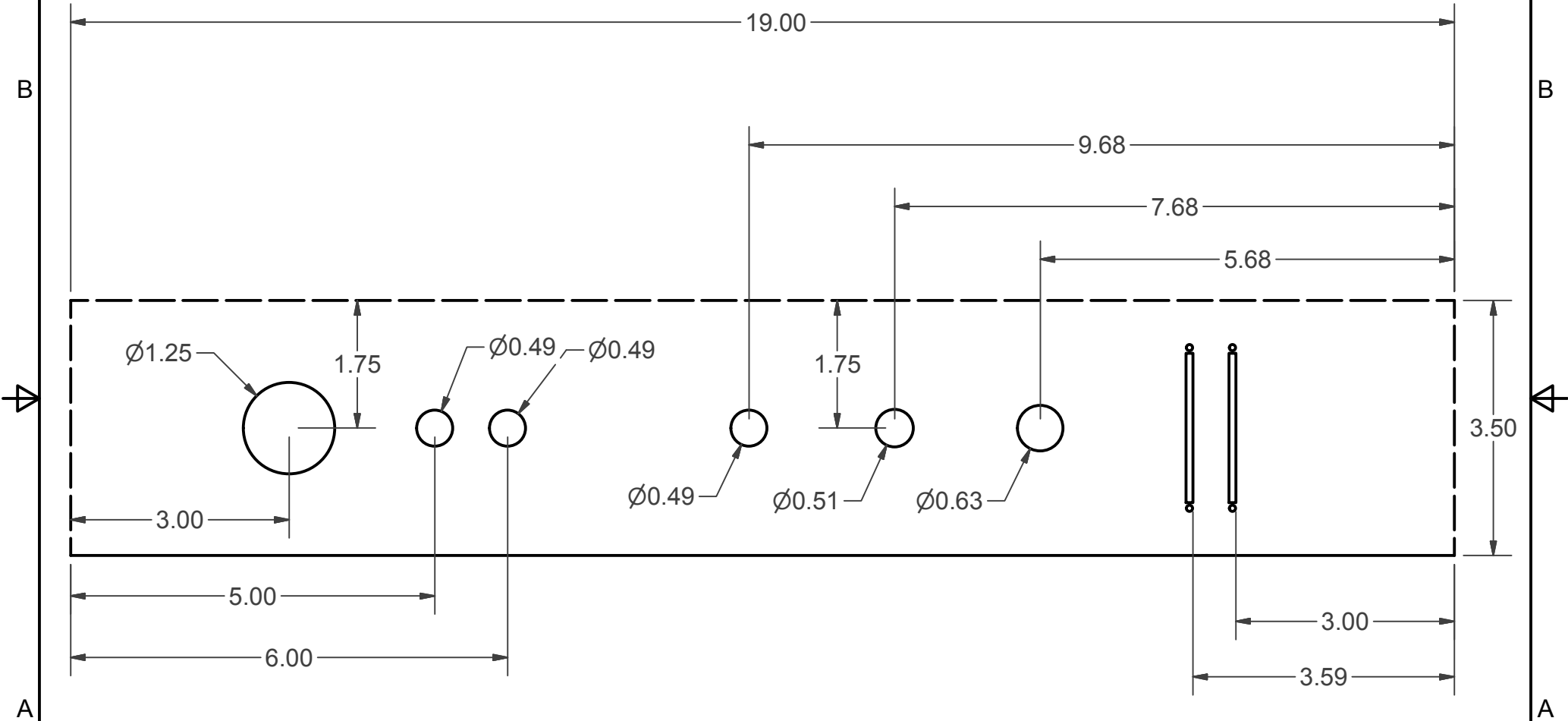


Note: Prime and deburr all cut edges



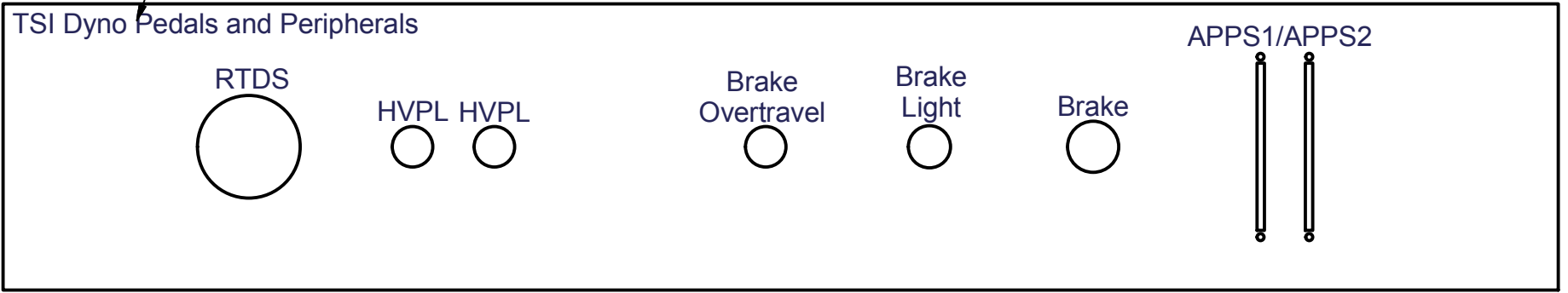
LAFAYETTE COLLEGE ENGINEERING DIVISION	PART #: Faceplate		QTY:		DWG.#: Faceplate_D1	REV:	
	PART FILE: Faceplate.ipt				DRAWN BY: plumbj		
TOLERANCE EXCEPT AS NOTED X/X .X .XX .XXX ± 1/32 ± .02 ± .01 ± .005	MATERIAL:				SCALE: 1:1		Approved by:
					DATE: 3/31/2017		

2

1

Labels will be made w/ label maker

Front View

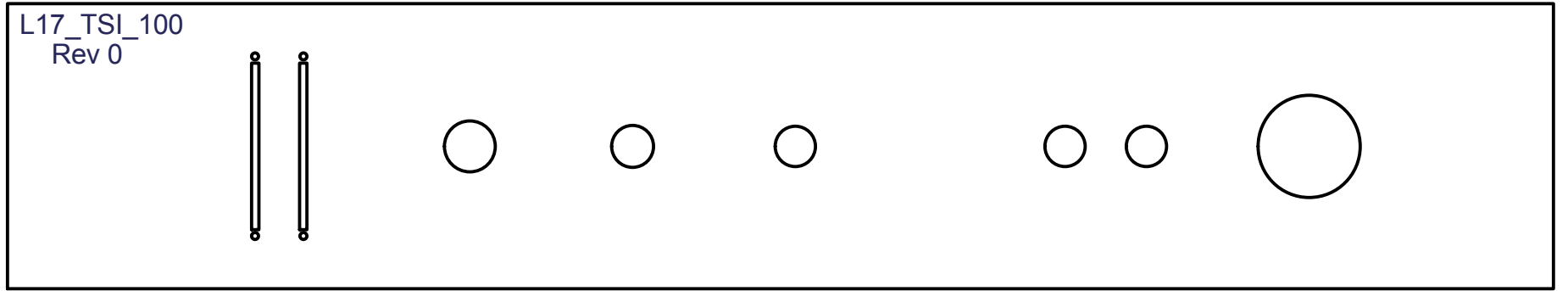


B

B

Part number must be etched in

Back View



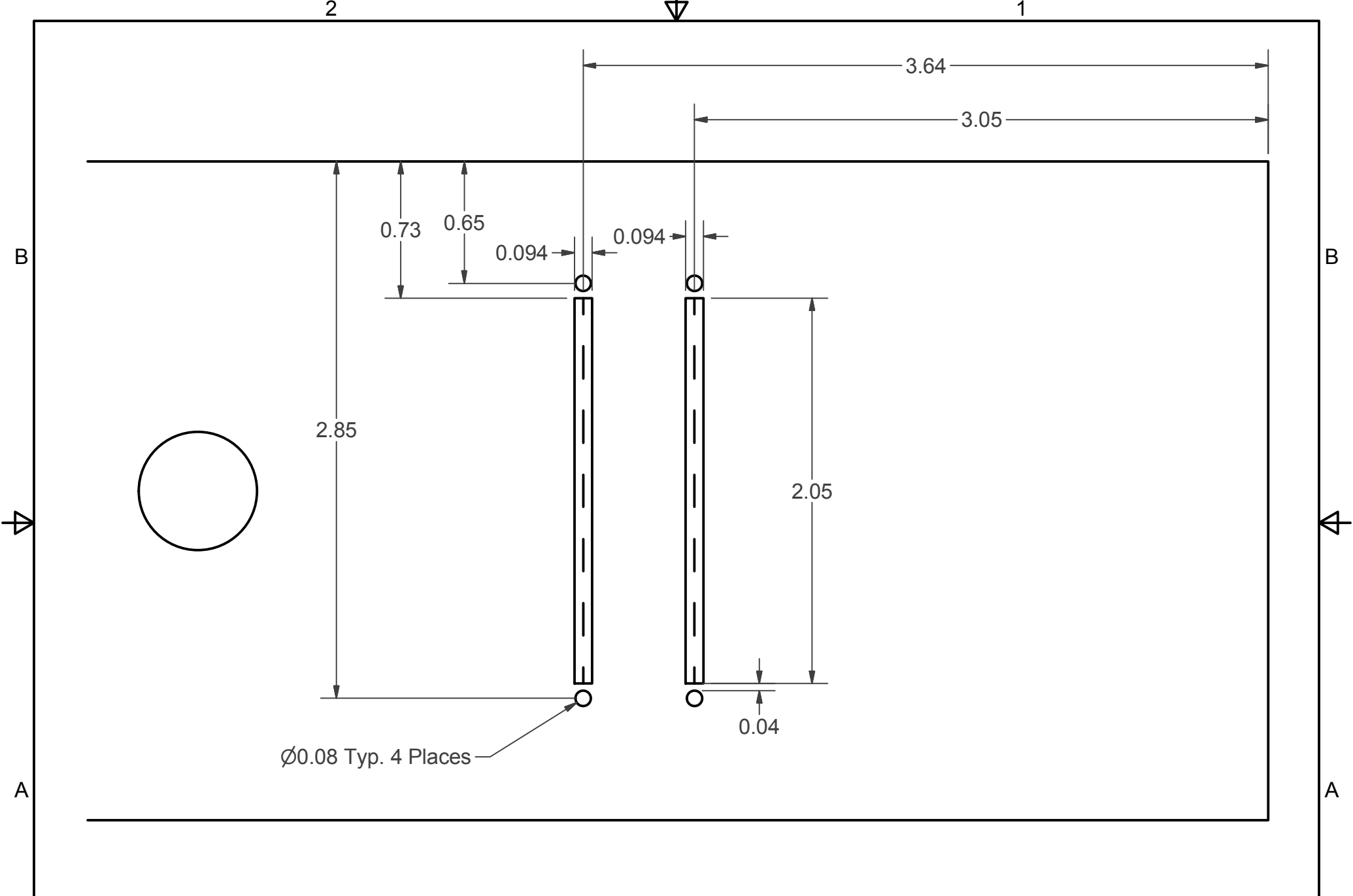
A

A

LAFAYETTE COLLEGE ENGINEERING DIVISION	PART #: Faceplate		QTY:	DWG.#: Faceplate_D1	REV:
	PART FILE: Faceplate.ipt			DRAWN BY: plumbj	
TOLERANCE EXCEPT AS NOTED X/X .X .XX .XXX ± 1/32 ± .02 ± .01 ± .005	MATERIAL:			SCALE: 1:1	Approved by:
				DATE: 3/31/2017	

2

1



LAFAYETTE COLLEGE ENGINEERING DIVISION	PART #: Faceplate		DWG.#: Faceplate_D1	REV:
	PART FILE: Faceplate.ipt		DRAWN BY: plumbj	
TOLERANCE EXCEPT AS NOTED X/X .X .XX .XXX ± 1/32 ± .02 ± .01 ± .005	MATERIAL:			Approved by:
	DATE: 3/31/2017			

2

1