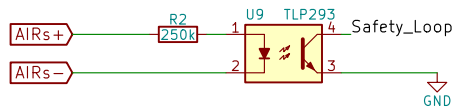
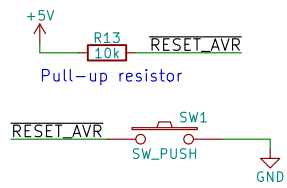


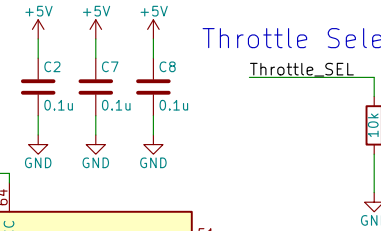
AIRs Measurement



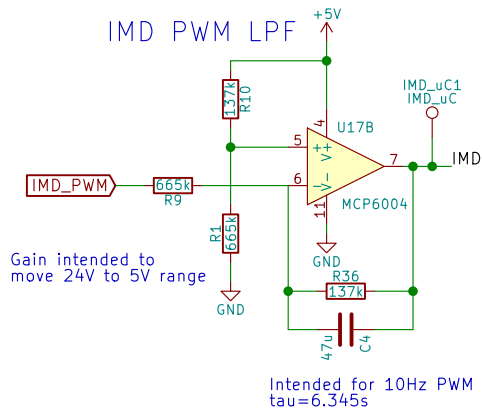
Reset



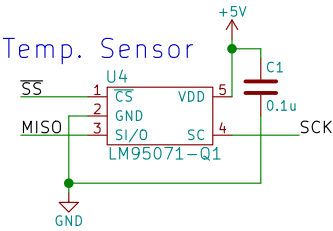
Throttle Select Pulldown



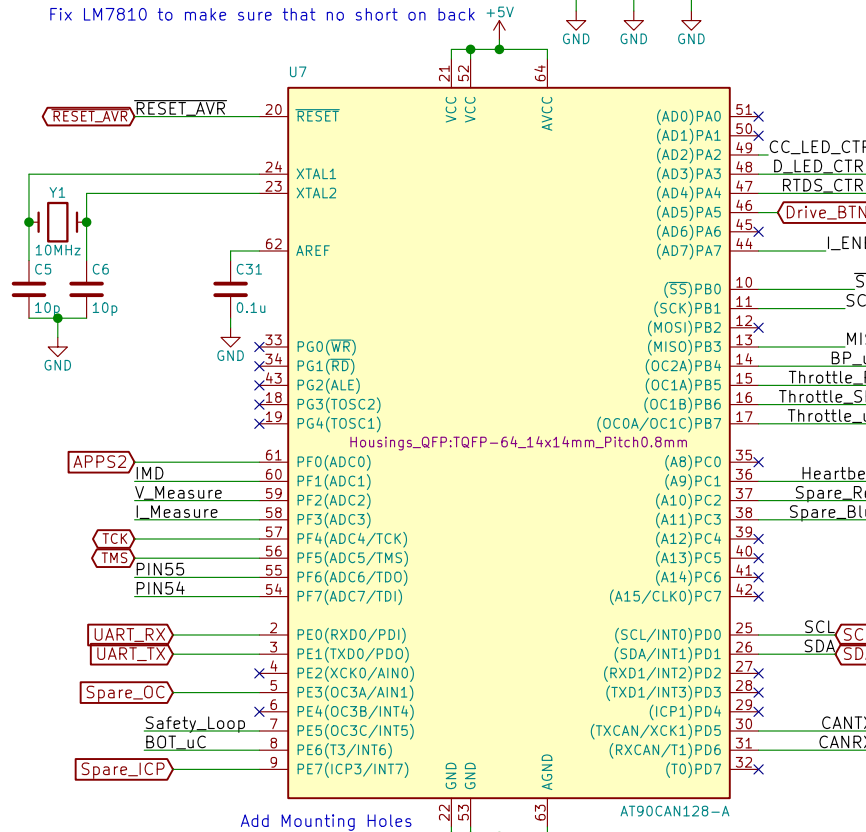
IMD PWM LPF



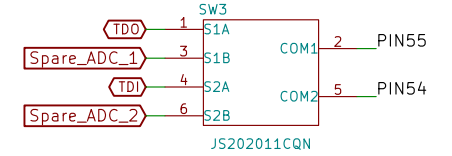
Temp. Sensor



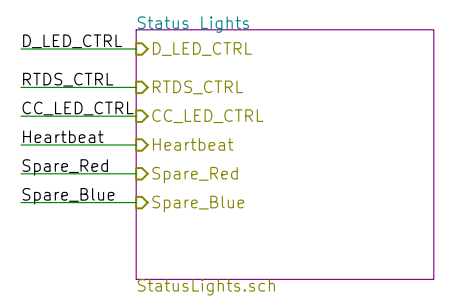
Fix LM7810 to make sure that no short on back



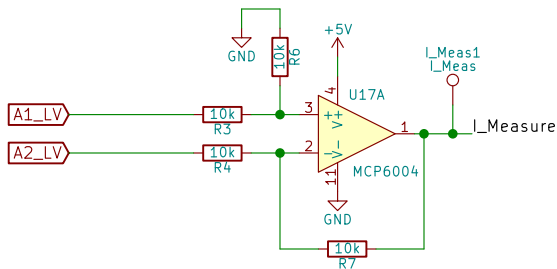
Spare ADC Switch



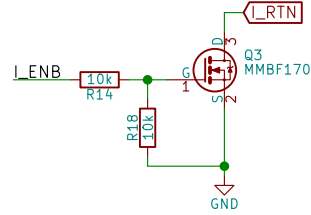
Status Lights



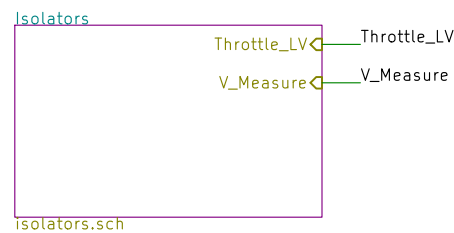
Current Measurement



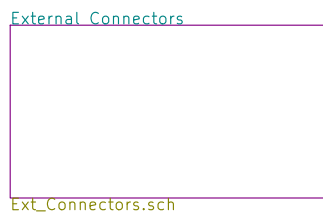
Current Enable



Isolators



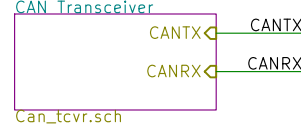
CONNECTORS



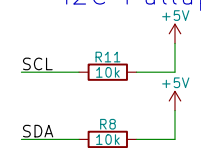
DC DC Converters



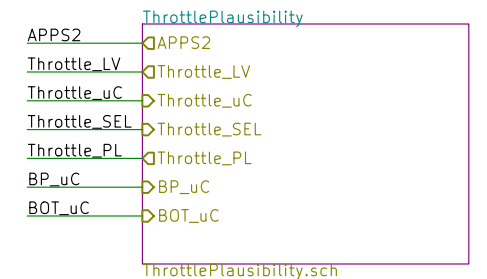
CAN TRANSCEIVER



I2C Pullup



Throttle Plausibility



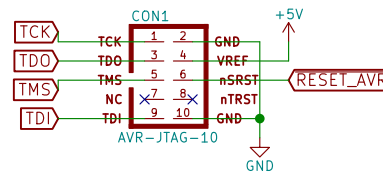
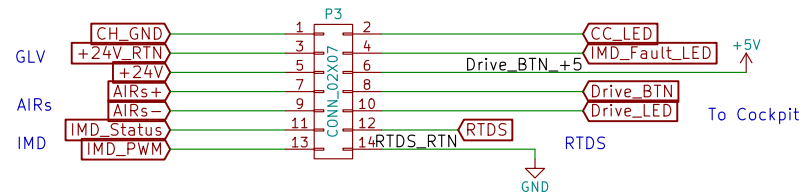
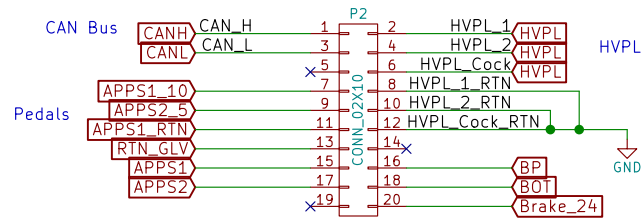
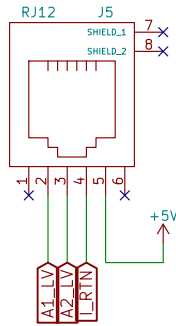
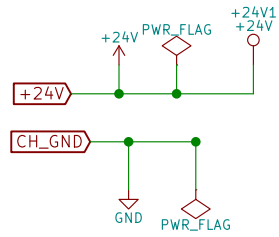
DEVELOPMENT ONLY

Jack Plumb and Adam Ness
Spring 2017
Lafayette College
Sheet: /
File: Circuit_layout.sch

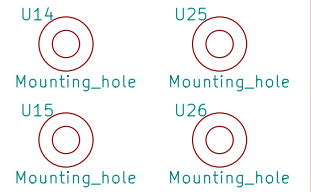
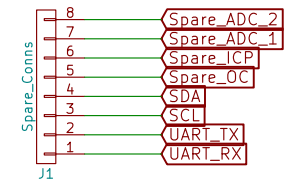
Title: Tractive System Interface

Size: USLegal Date:
KiCad E.D.A. kicad 4.0.2-stable

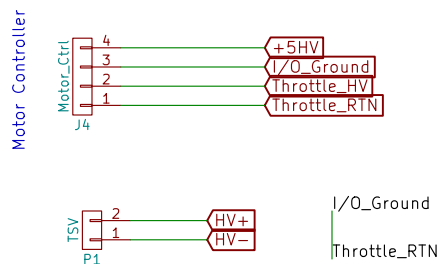
Rev: 0.0
Id: 1/7



Spare connections to uC



High Voltage



DEVELOPMENT ONLY

Jack Plumb and Adam Ness
Spring 2017

Lafayette College

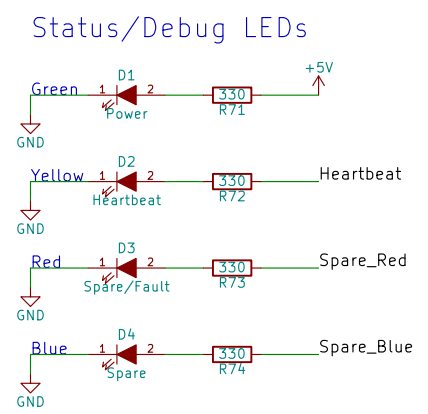
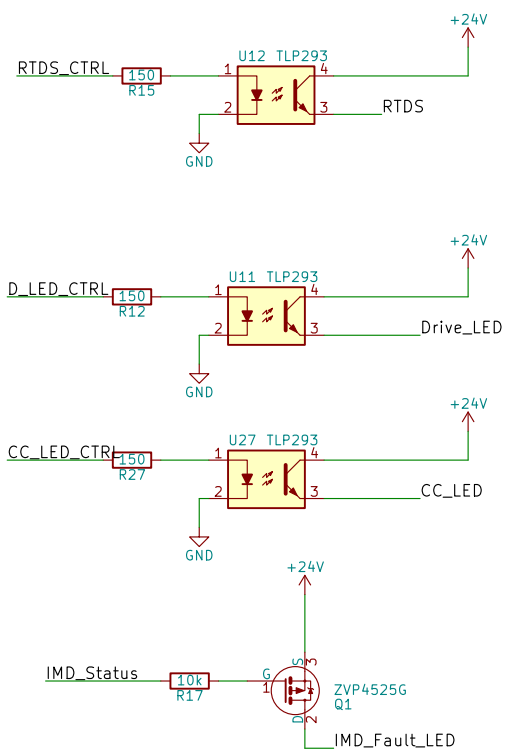
Sheet: /External Connectors/
File: Ext_Connectors.sch

Title: Tractive System Interface

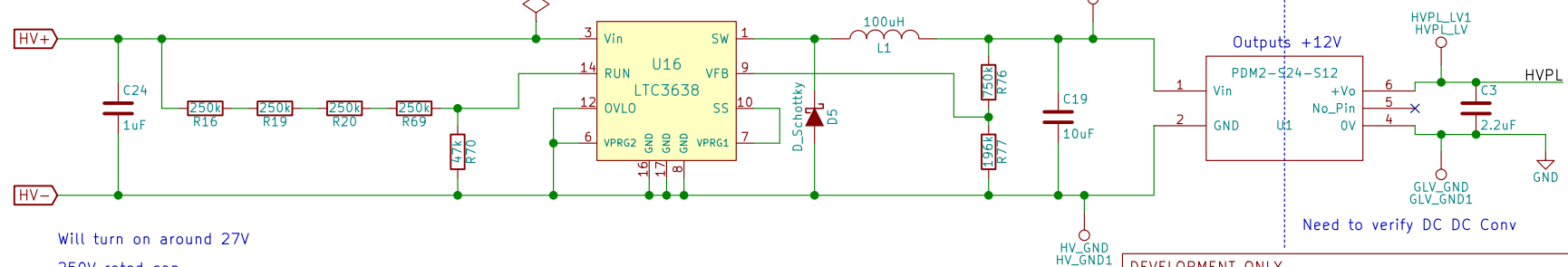
Size: A Date:
KiCad E.D.A. kicad 4.0.2-stable

Rev: 0.0
Id: 2/7

- RTDS RTDS
- Drive_LED Drive_LED
- CC_LED CC_LED
- IMD_Fault_LED IMD_Fault_LED
- IMD_Status IMD_Status
- HVPL HVPL
- RTDS_CTRL RTDS_CTRL
- D_LED_CTRL D_LED_CTRL
- CC_LED_CTRL CC_LED_CTRL
- Heartbeat Heartbeat
- Spare_Red Spare_Red
- Spare_Blue Spare_Blue



High Voltage

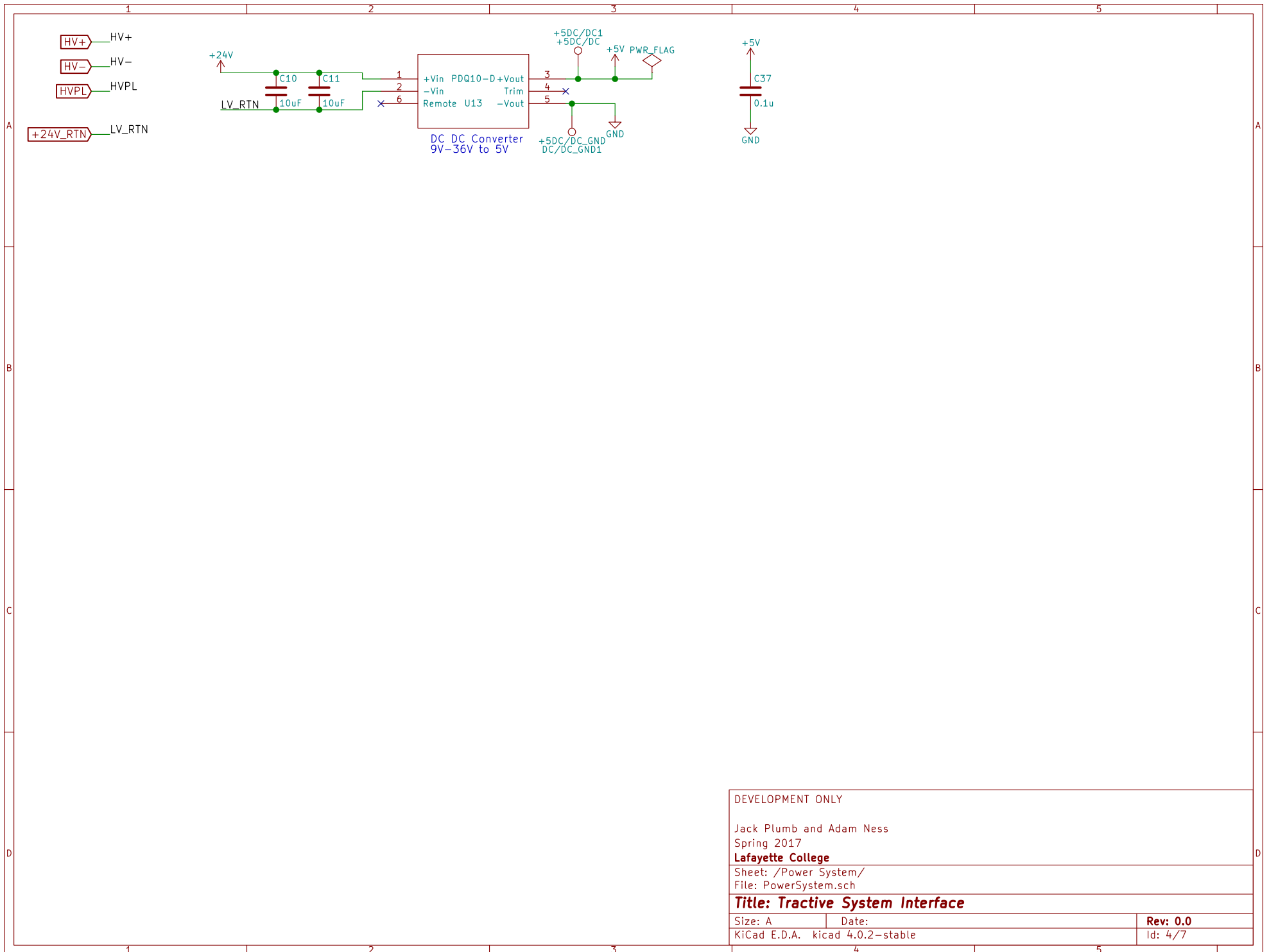


Will turn on around 27V
250V rated cap.

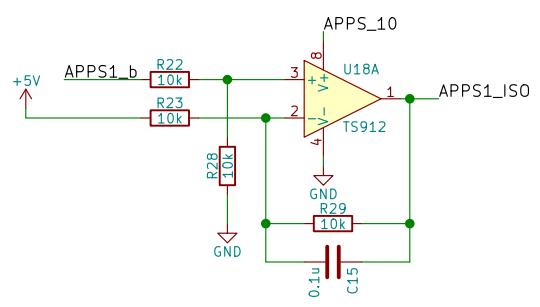
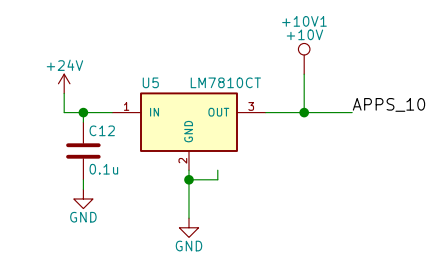
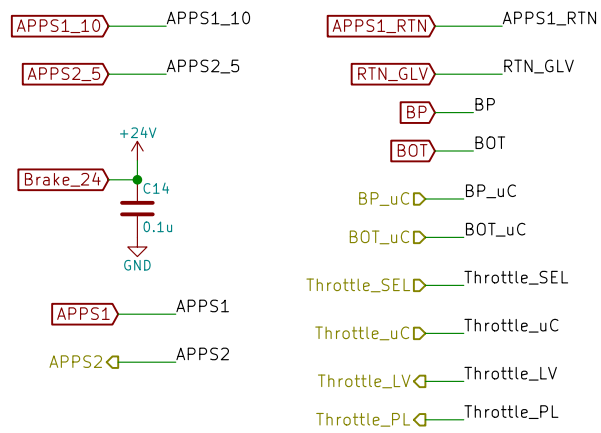
If want to go back to 24V
sw - 750k - Vfb - 196k - gnd

Note: this is going to three LEDs

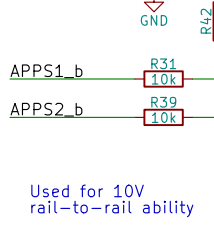
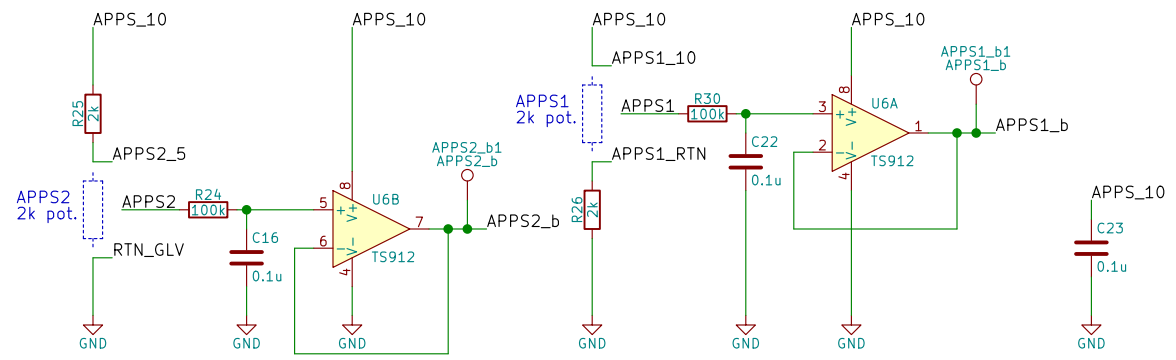
DEVELOPMENT ONLY	
Jack Plumb and Adam Ness Spring 2017 Lafayette College	
Sheet: /Status Lights/ File: StatusLights.sch	
Title: Tractive System Interface	
Size: A4	Date:
KiCad E.D.A. kicad 4.0.2-stable	Rev: 0.0
	Id: 3/77



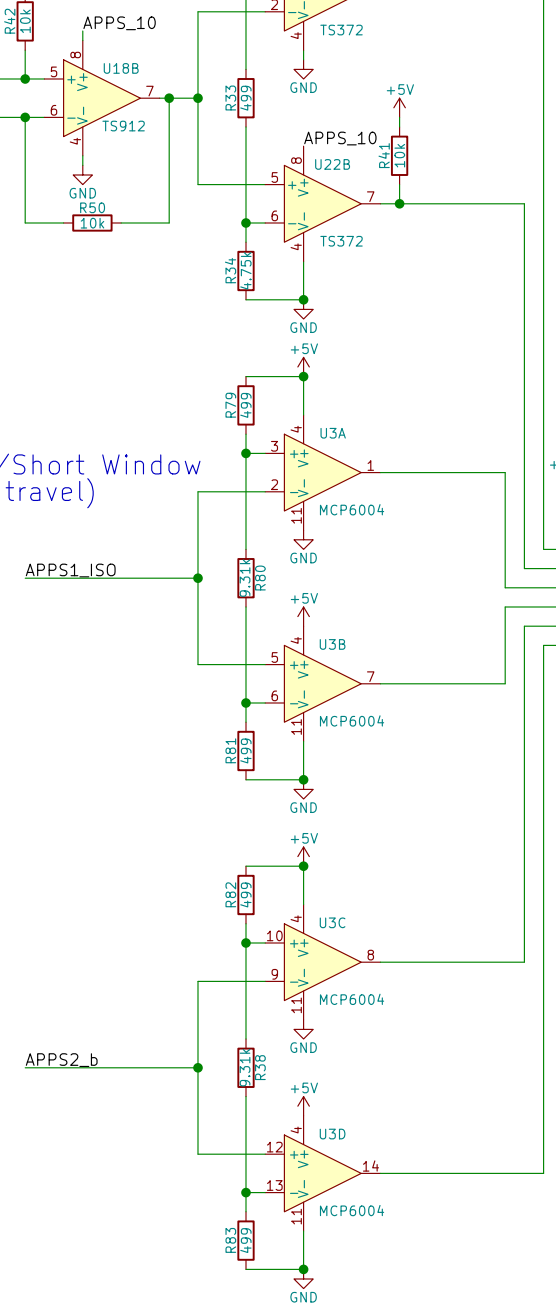
DEVELOPMENT ONLY	
Jack Plumb and Adam Ness Spring 2017 Lafayette College	
Sheet: /Power System/ File: PowerSystem.sch	
Title: Tractive System Interface	
Size: A	Date:
KiCad E.D.A. kicad 4.0.2-stable	Rev: 0.0 Id: 4/7



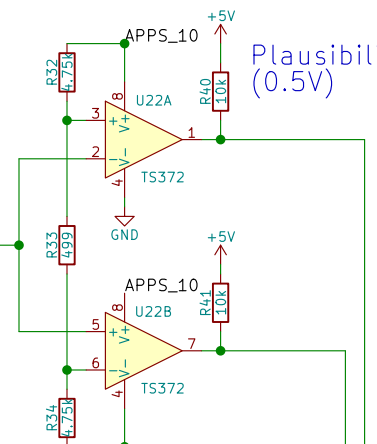
APPS 5V Offset Bias



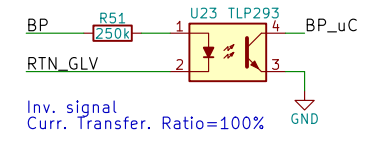
Open/Short Window (90% travel)



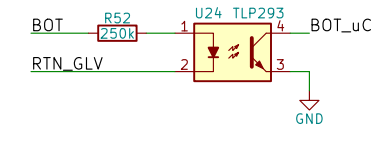
Plausibility Window (0.5V)



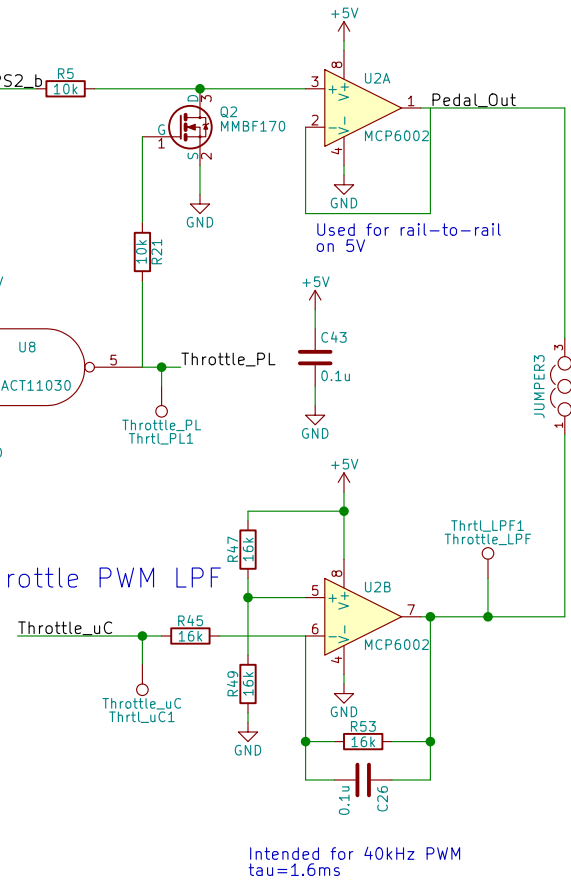
Brake Pressed



Brake Overtravel



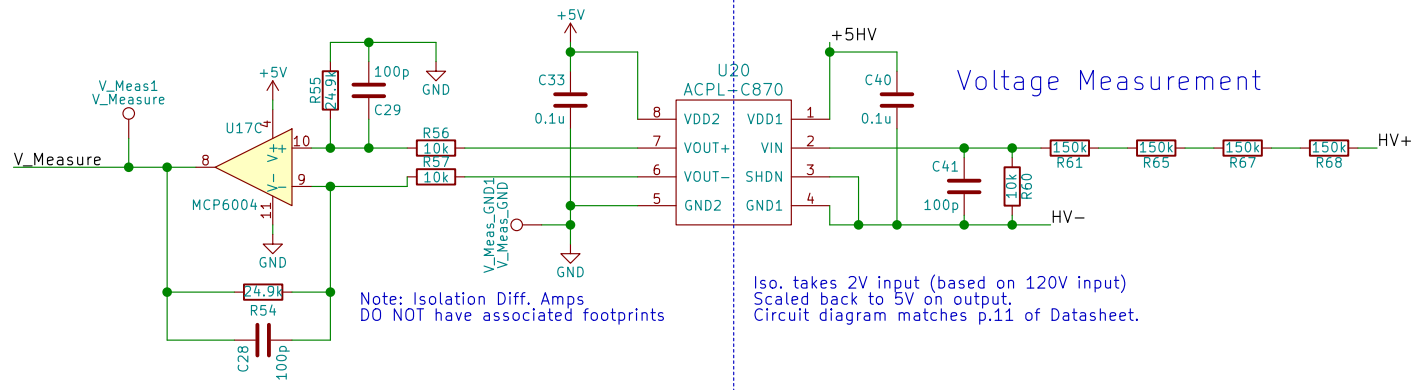
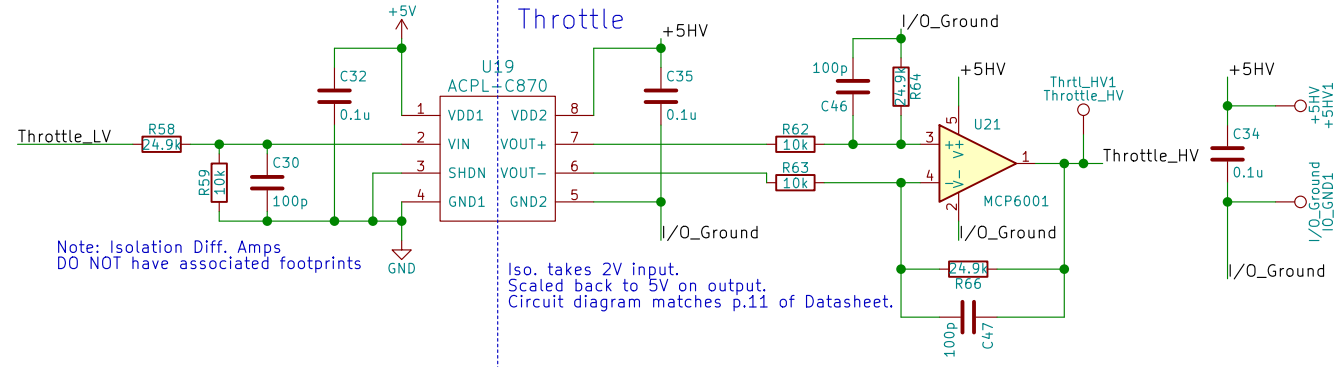
uC Throttle PWM LPF



Look at datasheet for footprint design specs

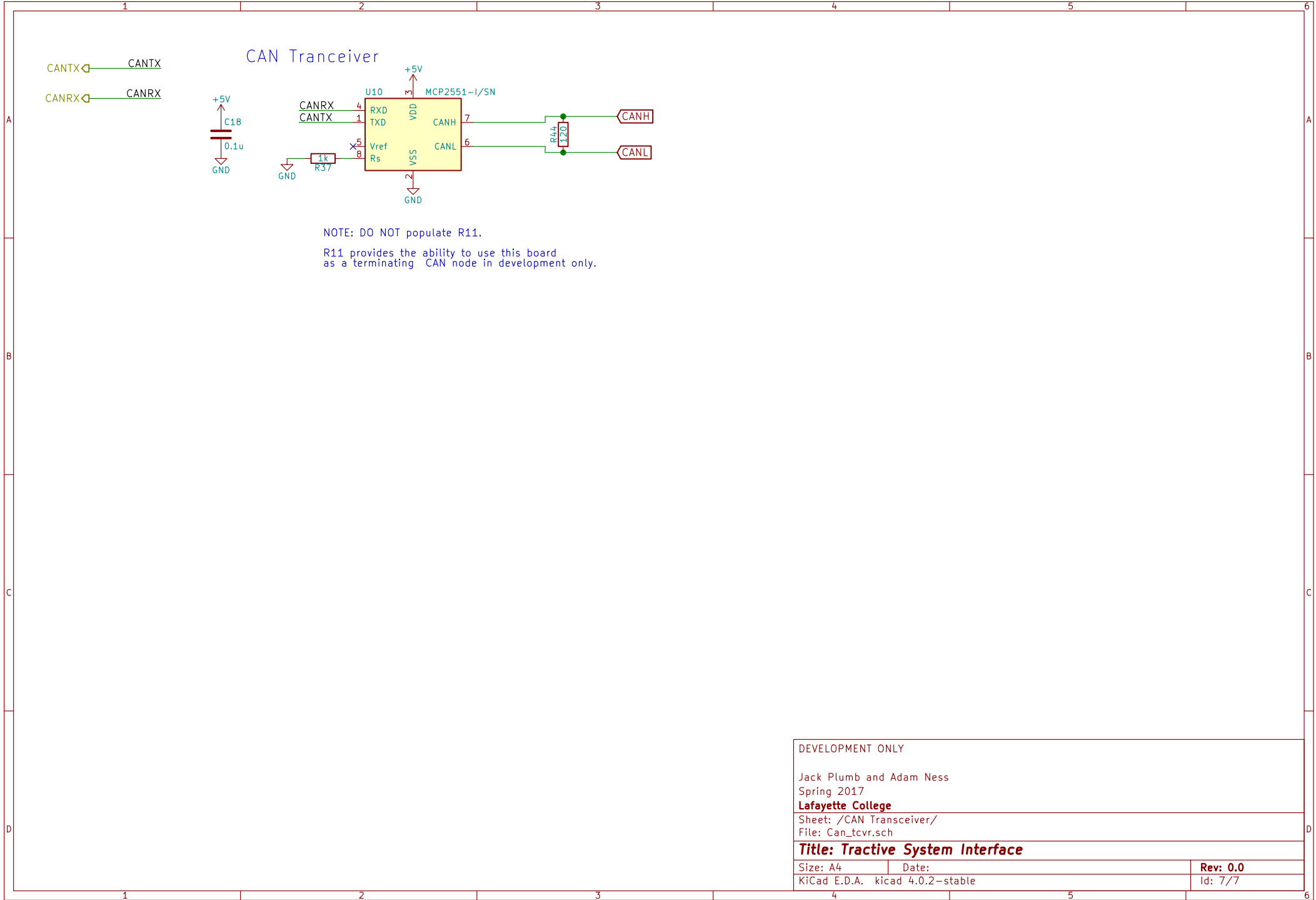
DEVELOPMENT ONLY		
Jack Plumb and Adam Ness Spring 2017 Lafayette College		
Sheet: /ThrottlePlausibility/ File: ThrottlePlausibility.sch		
Title: Tractive System Interface		
Size: B	Date: 2017-02-13	Rev: 0.0
KiCad E.D.A. kicad 4.0.2-stable		Id: 5/7

- Throttle_HV Throttle_HV
- Throttle_RTN I/O_Ground
- +5HV +5HV
- I/O_Ground I/O_Ground
- HV+ HV+
- HV- HV-
- Throttle_LV Throttle_LV
- V_Measure V_Measure



LOW VOLTAGE HIGH VOLTAGE

DEVELOPMENT ONLY	
Jack Plumb and Adam Ness Spring 2017	
Lafayette College	
Sheet: /Isolators/ File: isolators.sch	
Title: Tractive System Interface	
Size: A4	Date:
KiCad E.D.A. kicad 4.0.2-stable	Rev: 0.0 Id: 6/7



DEVELOPMENT ONLY	
Jack Plumb and Adam Ness Spring 2017 Lafayette College	
Sheet: /CAN Transceiver/ File: Can_tcvr.sch	
Title: Tractive System Interface	
Size: A4	Date:
KiCad E.D.A. kicad 4.0.2-stable	Rev: 0.0 Id: 777