

2

1

Note: Prime and deburr all cut edges

Designer: _____
 System Eng: _____
 ECE: _____
 ME: _____
 Email: _____

B

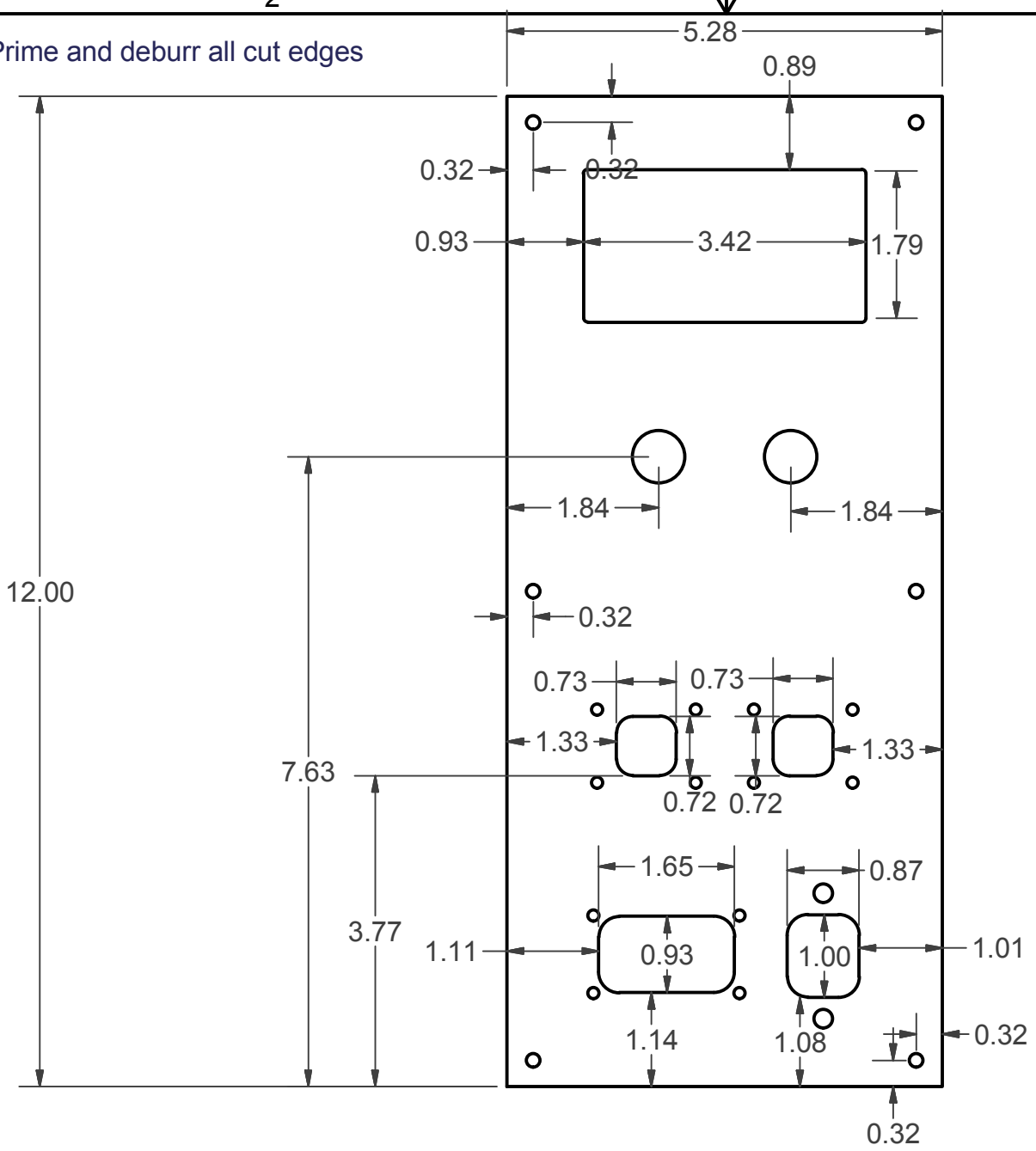
B

A

A

A

A

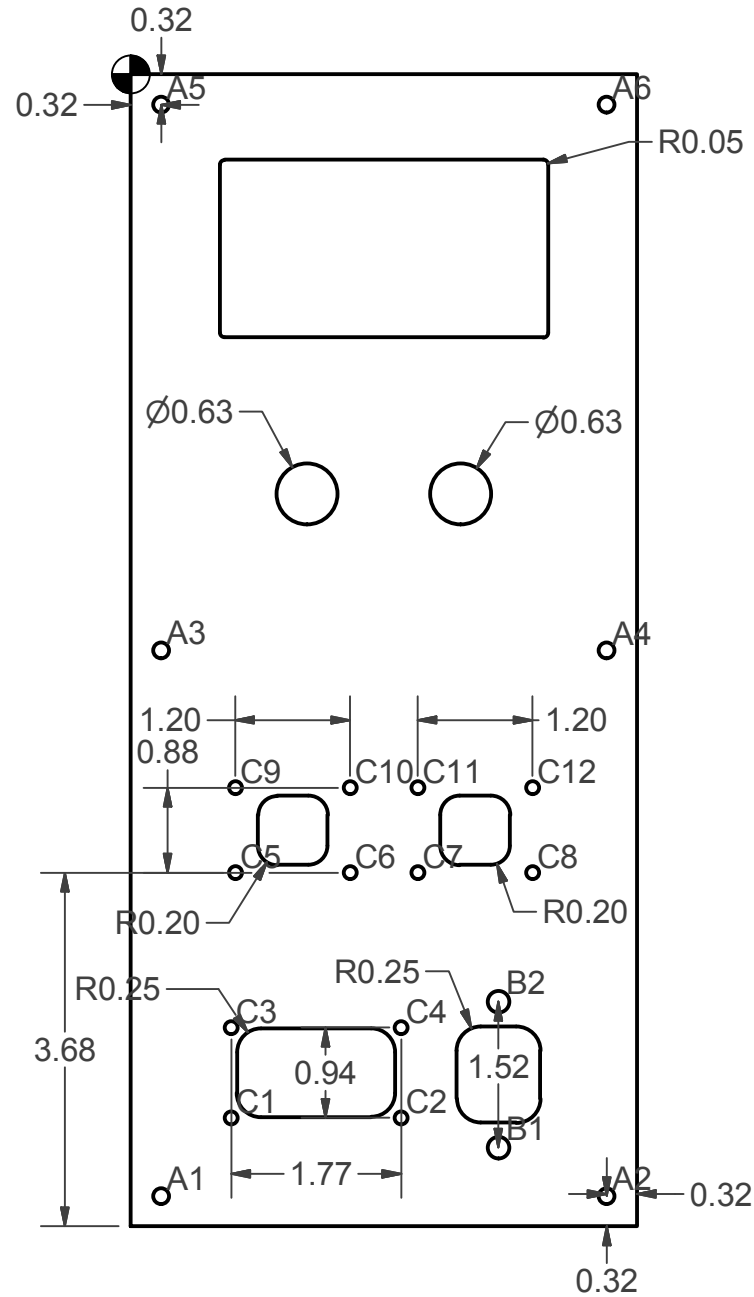


LAFAYETTE COLLEGE ENGINEERING DIVISION	Dimensions of L17_GLV_05_1		DWG.#: L17_GLV_05_1_D1	Sheet: 1/3
	PART #: L17_GLV_05_1	QTY: 1	DRAWN BY: Joe Sluke	Dimensions in inches
TOLERANCE EXCEPT AS NOTED X/X .X .XX .XXX ± 1/32 ± .02 ± .01 ± .005	PART FILE: L17_GLV_05_1.ipt		SCALE: 1:1	Approved by:
	MATERIAL: Aluminum .125" thick requirement		DATE: 3/20/2017	

2

1

Hole Table			
HOLE	XDIM	YDIM	DESCRIPTION
A1	0.32	-11.68	Ø0.16 √ 1.00 No Tap
A2	4.96	-11.68	Ø0.16 √ 1.00 No Tap
A3	0.32	-6.00	Ø0.16 √ 1.00 No Tap
A4	4.96	-6.00	Ø0.16 √ 1.00 No Tap
A5	0.32	-0.32	Ø0.16 √ 1.00 No Tap
A6	4.96	-0.32	Ø0.16 √ 1.00 No Tap
B1	3.83	-11.18	Ø0.22 √ 1.00 No Tap
B2	3.83	-9.66	Ø0.22 √ 1.00 No Tap
C1	1.05	-10.87	Ø0.14 √ 1.00 Tap #8-32 thru
C2	2.82	-10.87	Ø0.14 √ 1.00 Tap #8-32 thru
C3	1.05	-9.93	Ø0.14 √ 1.00 Tap #8-32 thru
C4	2.82	-9.93	Ø0.14 √ 1.00 Tap #8-32 thru
C5	1.09	-8.32	Ø0.14 √ 1.00 Tap #8-32 thru
C6	2.29	-8.32	Ø0.14 √ 1.00 Tap #8-32 thru
C7	2.99	-8.32	Ø0.14 √ 1.00 Tap #8-32 thru
C8	4.19	-8.32	Ø0.14 √ 1.00 Tap #8-32 thru
C9	1.09	-7.43	Ø0.14 √ 1.00 Tap #8-32 thru
C10	2.29	-7.43	Ø0.14 √ 1.00 Tap #8-32 thru
C11	2.99	-7.43	Ø0.14 √ 1.00 Tap #8-32 thru
C12	4.19	-7.43	Ø0.14 √ 1.00 Tap #8-32 thru



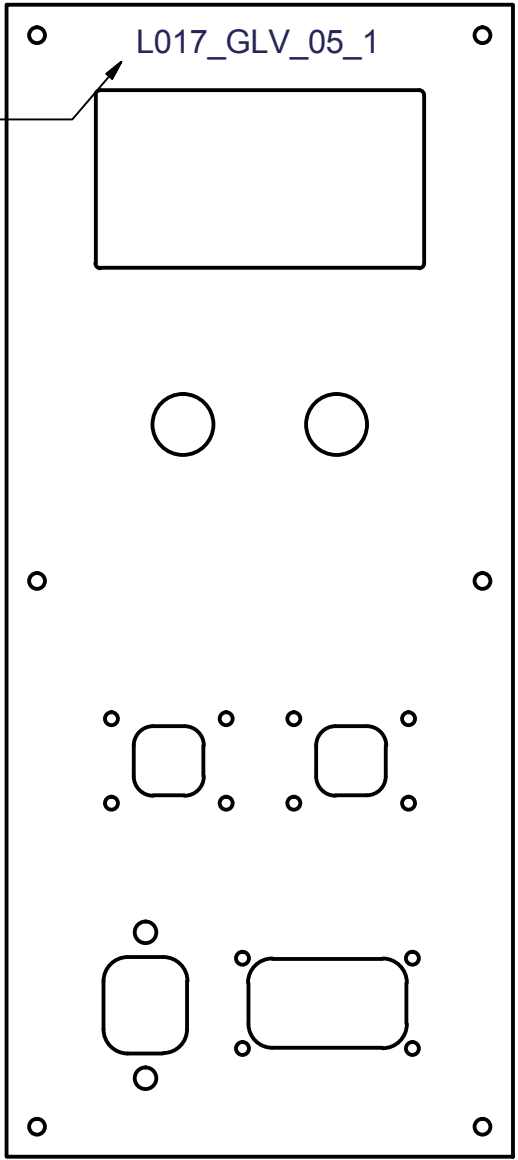
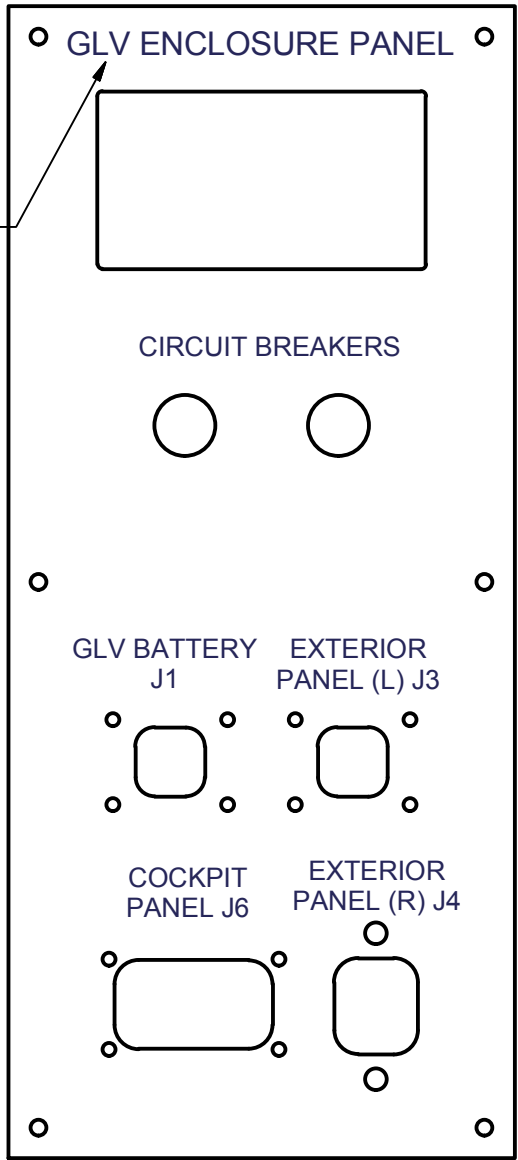
LAFAYETTE COLLEGE ENGINEERING DIVISION	Radial Dimensions of L17_GLV_05_1		DWG.#: L17_GLV_05_1_D1	Sheet 2/3
	PART #: L17_GLV_05_1	QTY: 1	DRAWN BY: Joe Sluke	Dimensions in inches
TOLERANCE EXCEPT AS NOTED X/X .X .XX .XXX ± 1/32 ± .02 ± .01 ± .005	PART FILE: L17_GLV_05_1.ipt		SCALE: 1:1	Approved by:
	MATERIAL: Aluminum .125" thick requirement		DATE: 3/20/2017	

2

1

Front View

Back View



Label for Back of Panel Must be Etched onto Metal

All Labels for Front of Panel Will be Made with Label Maker

B

B

A

A

LAFAYETTE COLLEGE ENGINEERING DIVISION	Labels of L17_GLV_05_1		DWG.#: L17_GLV_05_1_D1	Sheet: 3/3
	PART #: L17_GLV_05_1	QTY:	DRAWN BY: Joe Sluke	
TOLERANCE EXCEPT AS NOTED X/X .X .XX .XXX ± 1/32 ± .02 ± .01 ± .005	PART FILE: L17_GLV_05_1.ipt		SCALE: 1:1	Approved by:
	MATERIAL: Aluminum .125" thick requirement		DATE: 3/20/2017	

2

1