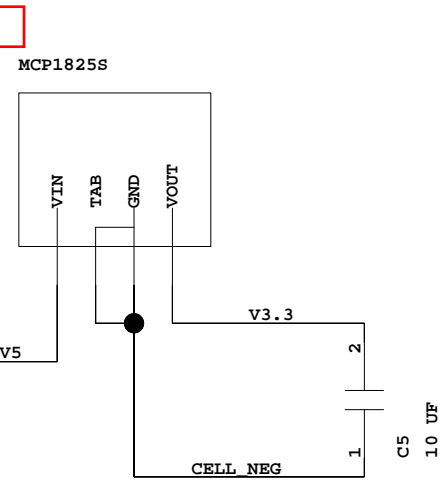
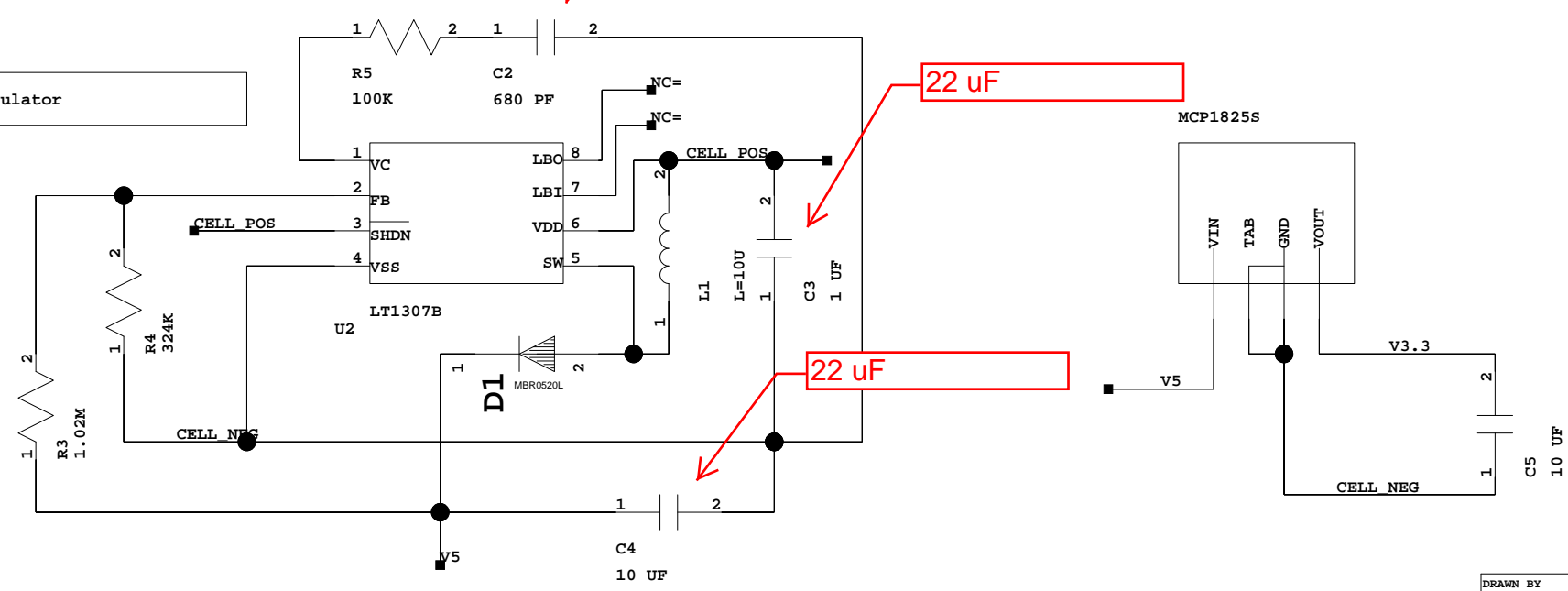
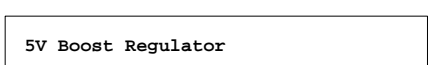
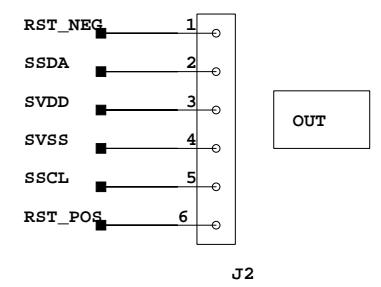
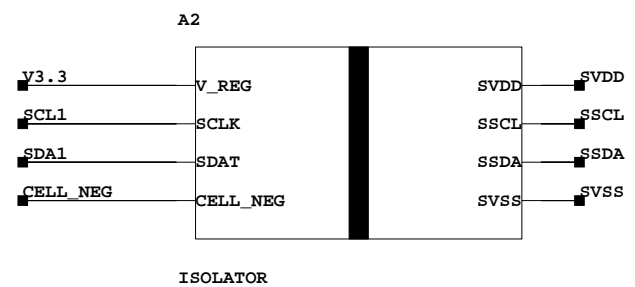
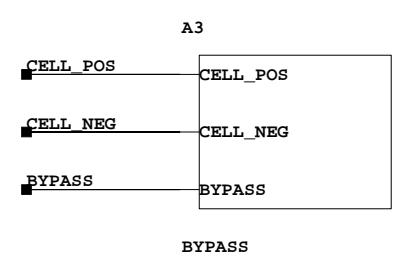
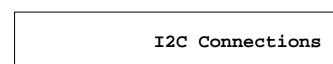
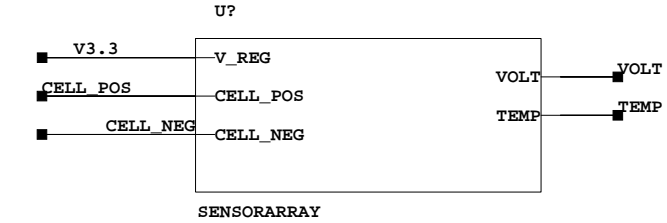
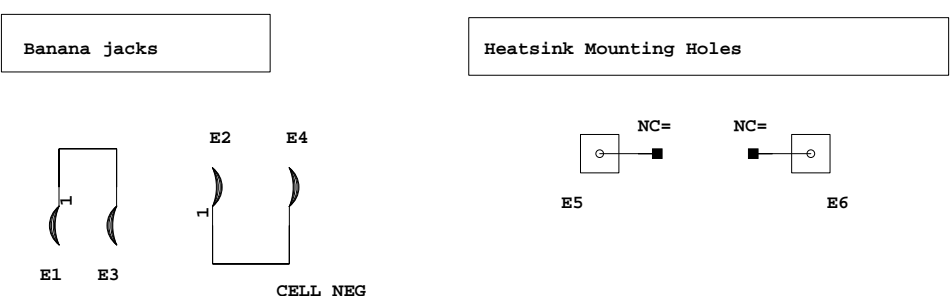
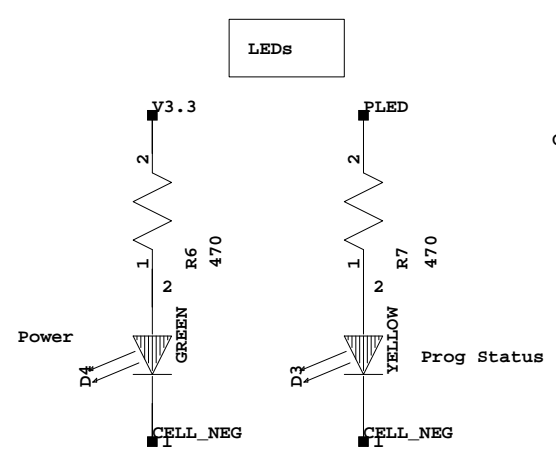
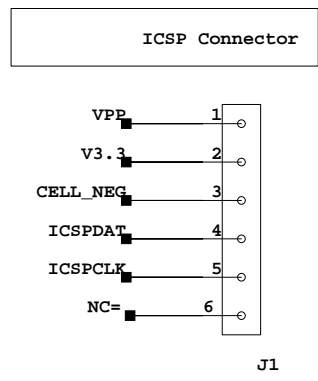
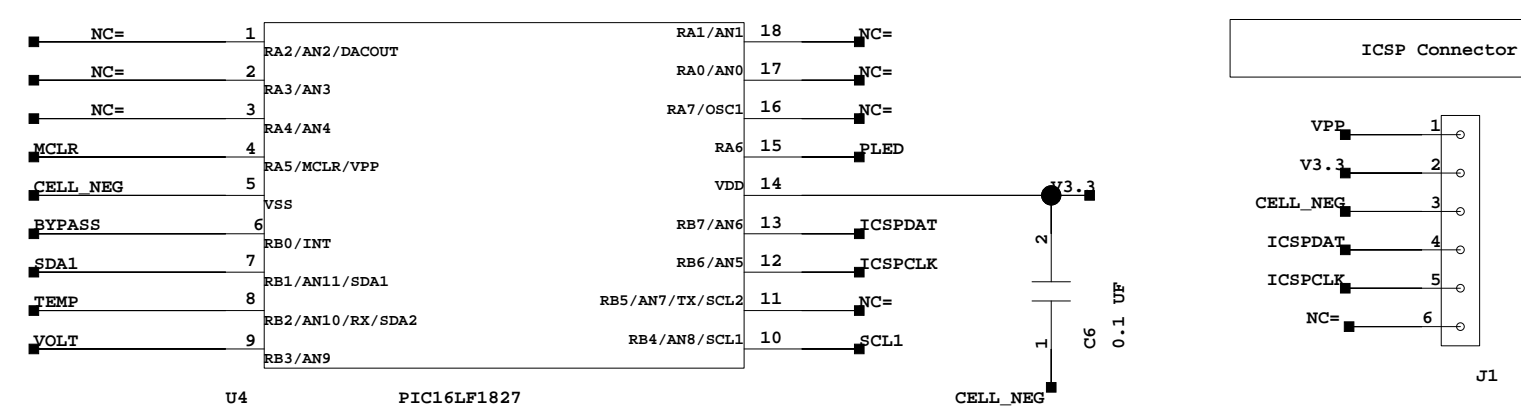
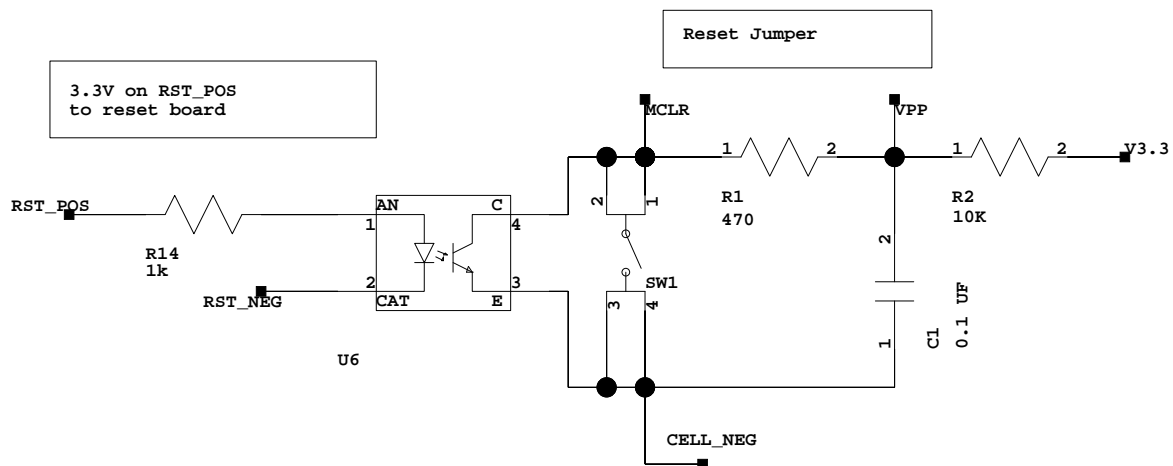


4

3

2

1



**LAFAYETTE** Lafayette College  
Easton, PA  
ECE Department

TITLE: **bmstop** L17-TSV-2

SIZE: <b>B</b>	DWG NO:	PROJECT: <b>LFEV-ESCM</b>	REV: <b>1</b>
COURSE: <b>ECE492</b>	SHEET: <b>1</b> of <b>4</b>	15-04-2015_17:16	

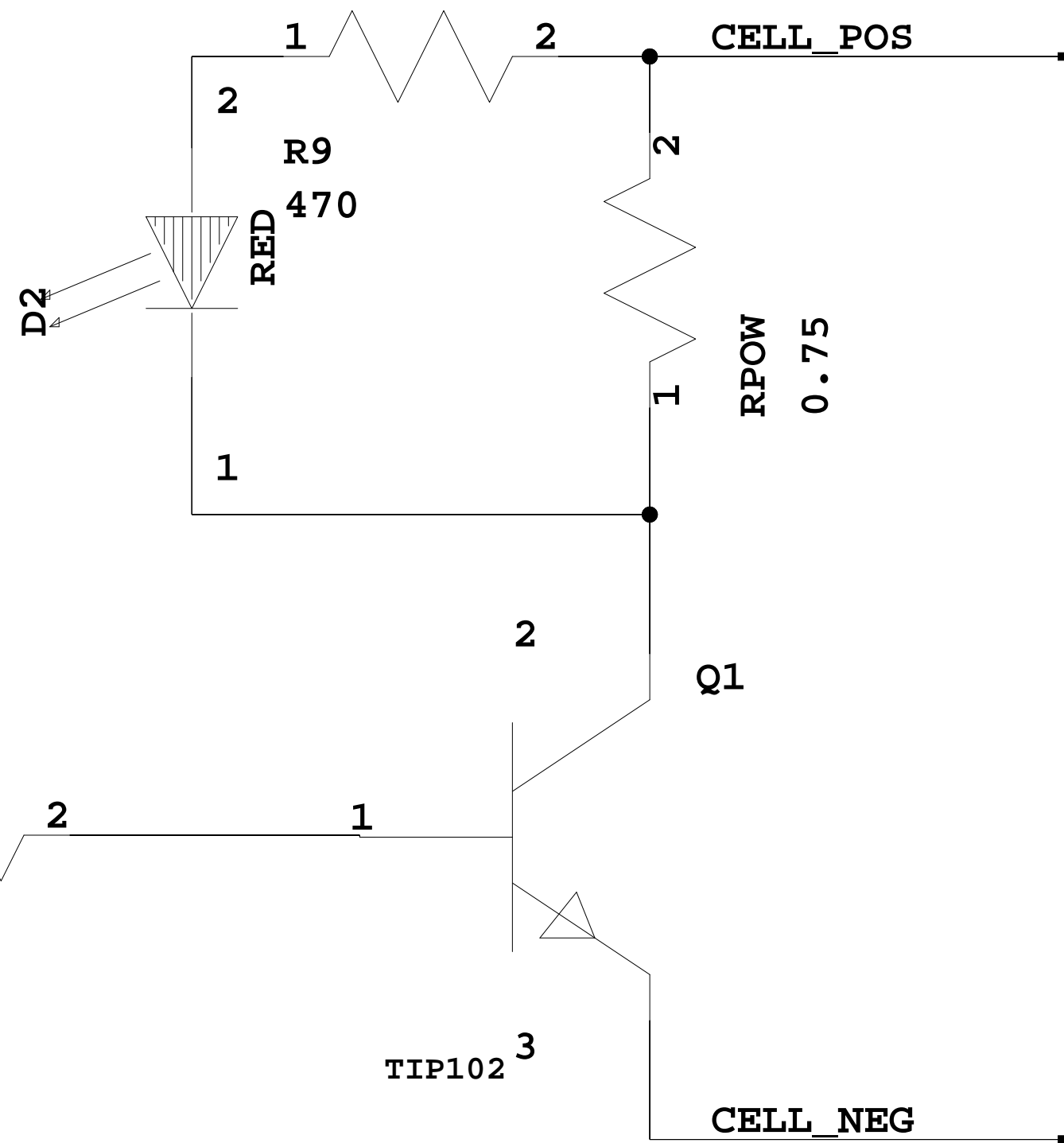
DRAWN BY: **BEN RICHARDS**

CELL\_POS  
 CELL\_NEG  
 BYPASS

BYPASS

CELL\_POS

CELL\_NEG

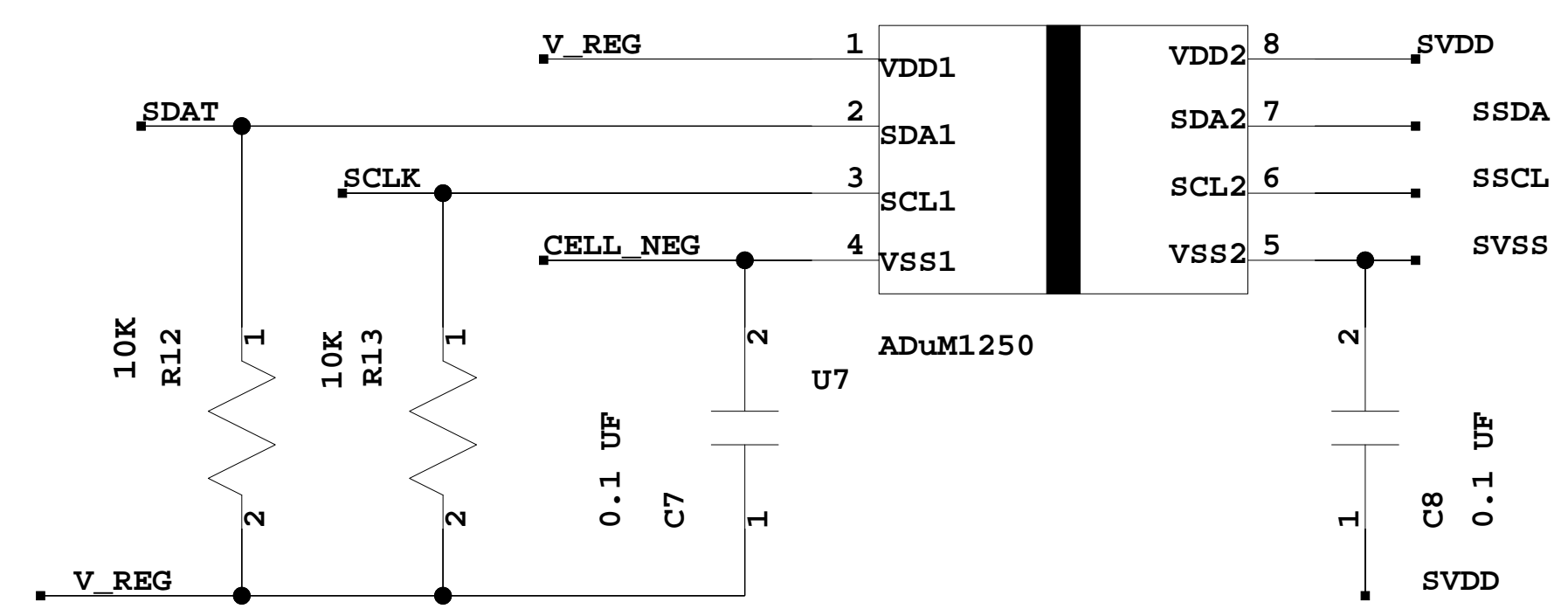


<b>LAFAYETTE</b>		Lafayette College Easton, PA ECE Department	
TITLE		BYPASS	
		L17-TSV-2	
SIZE	DWG NO	PROJECT	REV
B		BMS	0
COURSE	SHEET	of	
ECE492	1	1	
15-04-2015_17:16			

DRAWN BY  
 ANTHONY LORENCE

V\_REG  
 SCLK  
 SDAT  
 CELL\_NEG

SVDD  
 SSCL  
 SSDA  
 SVSS



**LAFAYETTE** Lafayette College  
 Easton, PA  
 ECE Department

TITLE  
**ISOLATOR** L17-TSV-2

SIZE <b>B</b>	DWG NO	PROJECT BMS	REV <b>0</b>
DRAWN BY ANTHONY LORENCE		COURSE ECE492	SHEET 1 of 1

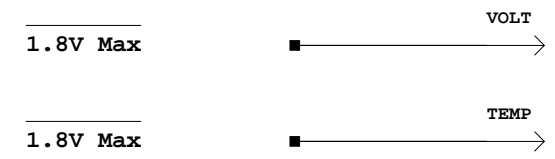
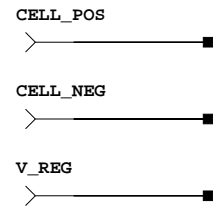
03-04-2014\_13:32

4

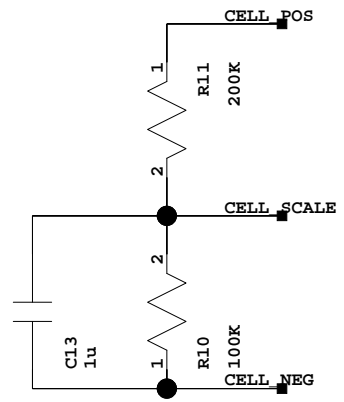
3

2

1



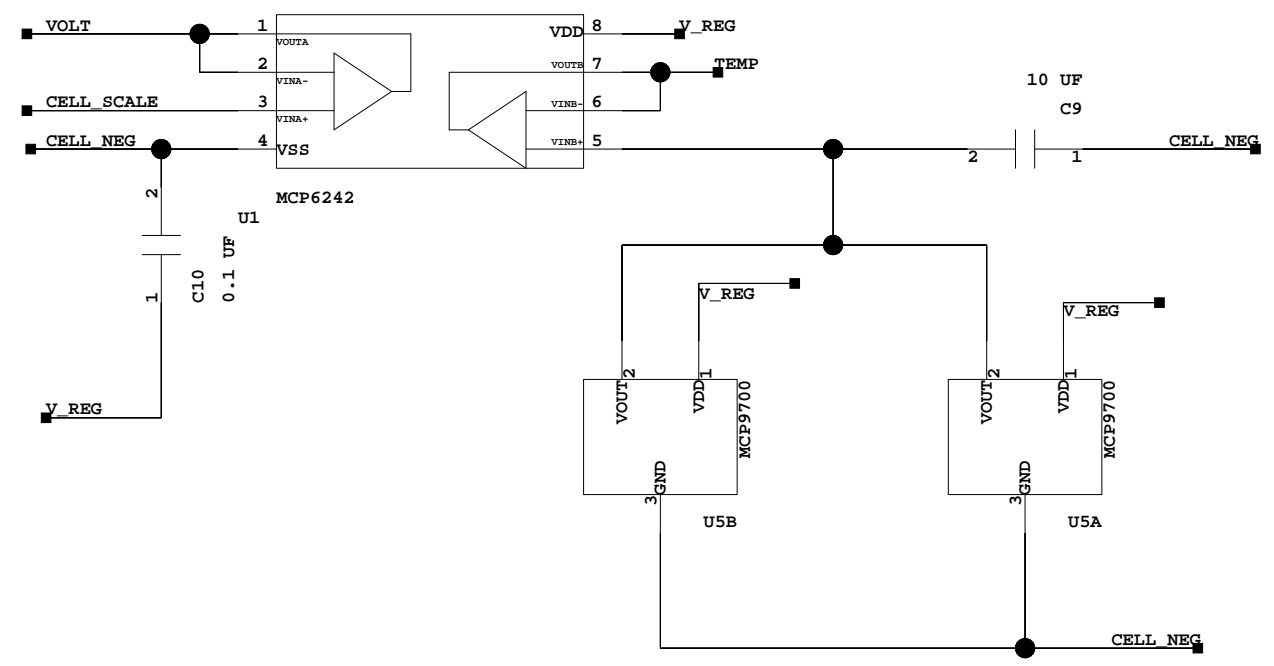
Cell Voltage Divider  
Scale Factor = 1/3  
Cell Voltage Range 0-6 V



Sub MCP6232 if  
MCP6242 out of stock

Voltage Sensor  
Unity Buffer

Temperature Sensor and Unity Buffer



Note: Populate only one location on board

**LAFAYETTE** Lafayette College  
Easton, PA  
ECE Department

TITLE  
**SENSORARRAY** L17-TSV-2

SIZE <b>B</b>	DWG NO	PROJECT BMS	REV <b>0</b>
COURSE ECE492	SHEET 1	of 1	15-04-2015_17:30

DRAWN BY  
ANTHONY LORENCE

4

3

2

1