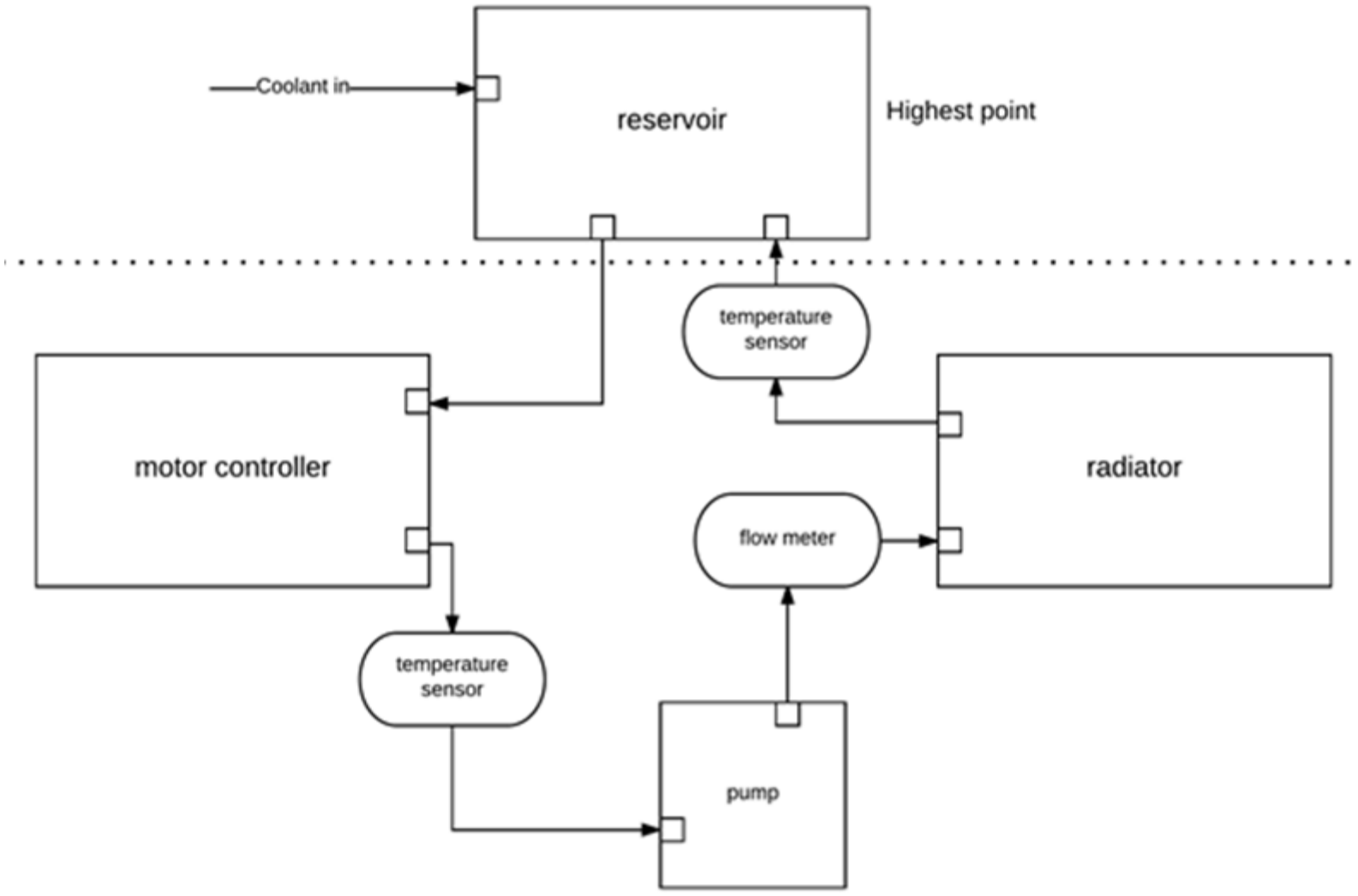
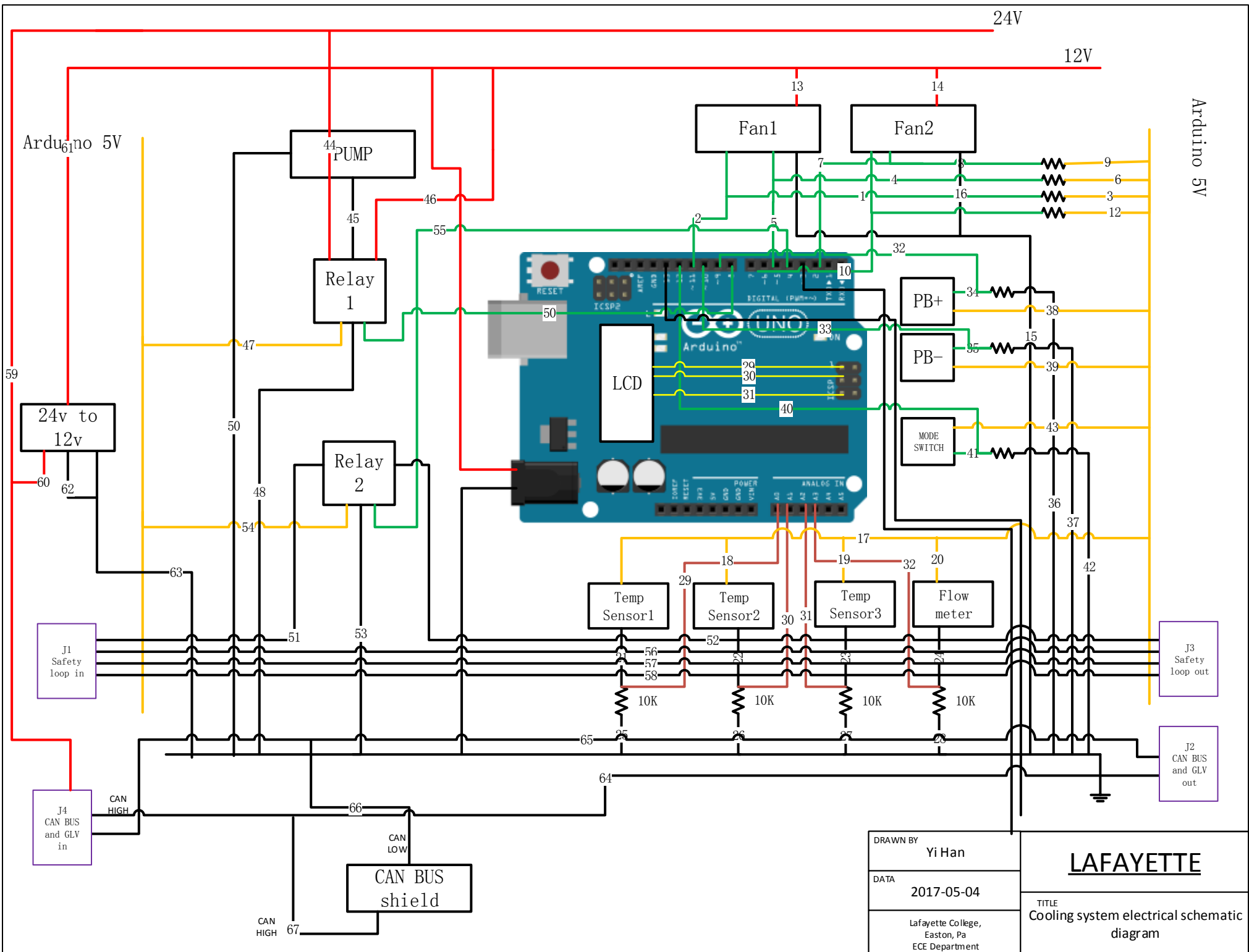


DRAWN BY	Yi Han	LAFAYETTE
DATA	2017-04-05	
	Lafayette College, Easton, Pa ECE Department	
		TITLE
		Cooling system block diagram



DRAWN BY	Yi Han	<u>LAFAYETTE</u>
DATA	2017-04-05	
	Lafayette College, Easton, Pa ECE Department	
		TITLE Cooling system water flow block diagram



DRAWN BY
Yi Han

DATA
2017-05-04

Lafayette College,
Easton, Pa
ECE Department

LAFAYETTE

TITLE
Cooling system electrical schematic
diagram