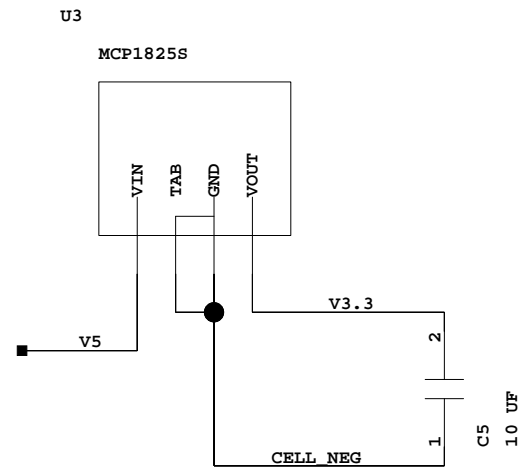
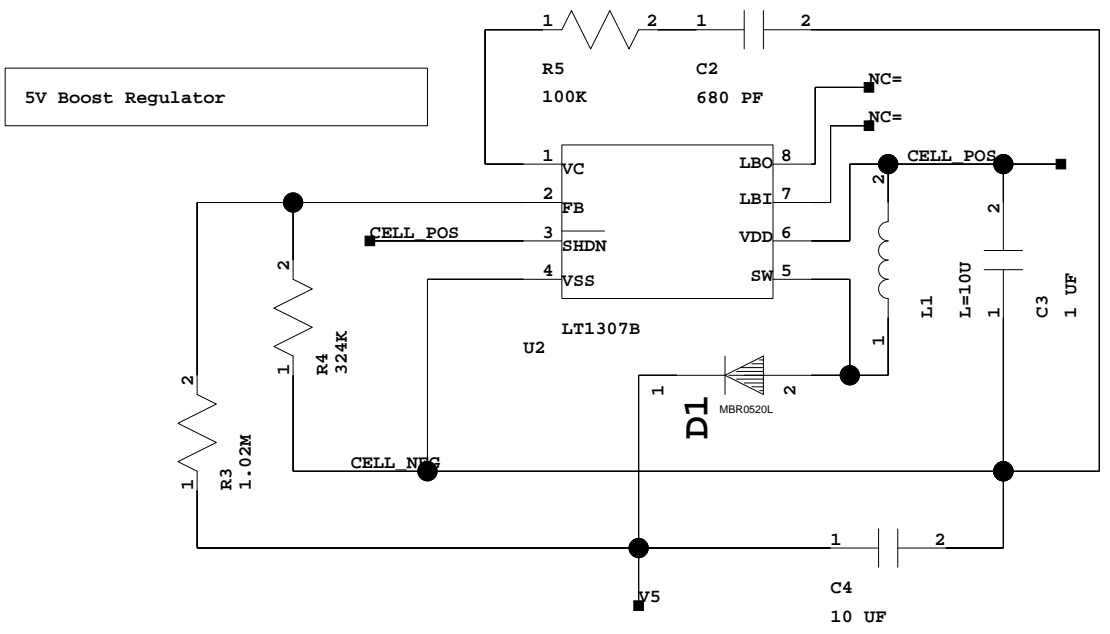
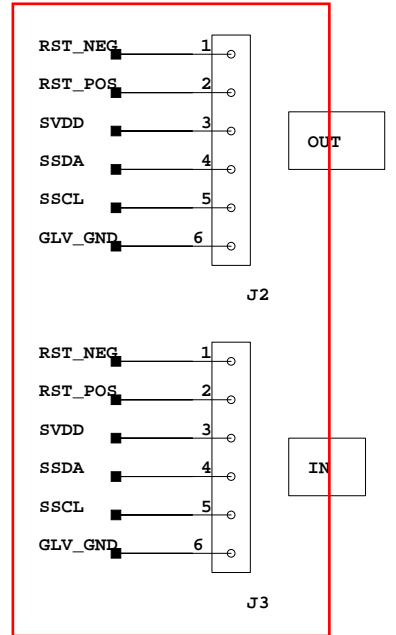
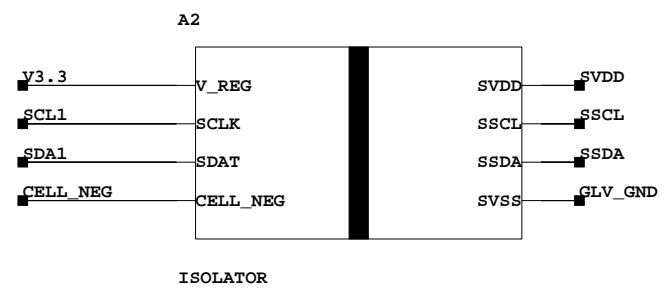
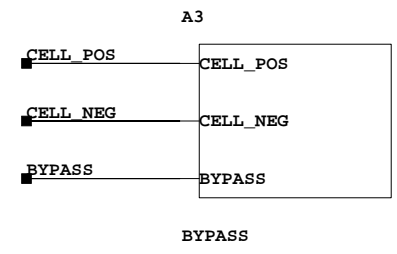


Make These Holes Larger in the PCB



**LAFAYETTE** Lafayette College  
Easton, PA  
ECE Department

TITLE  
**bmstop**

SIZE <b>B</b>	DWG NO	PROJECT <b>LFEV-ESCM</b>	REV <b>1</b>
COURSE ECE492	SHEET 1	of 4	13-03-2014_15:01

DRAWN BY  
BEN RICHARDS

CELL\_POS  
 CELL\_NEG  
 BYPASS

BYPASS

LINE0

CELL\_POS

LINE1

CELL\_NEG

D2

R9  
 36

RPOW  
 0.75

470 ohm

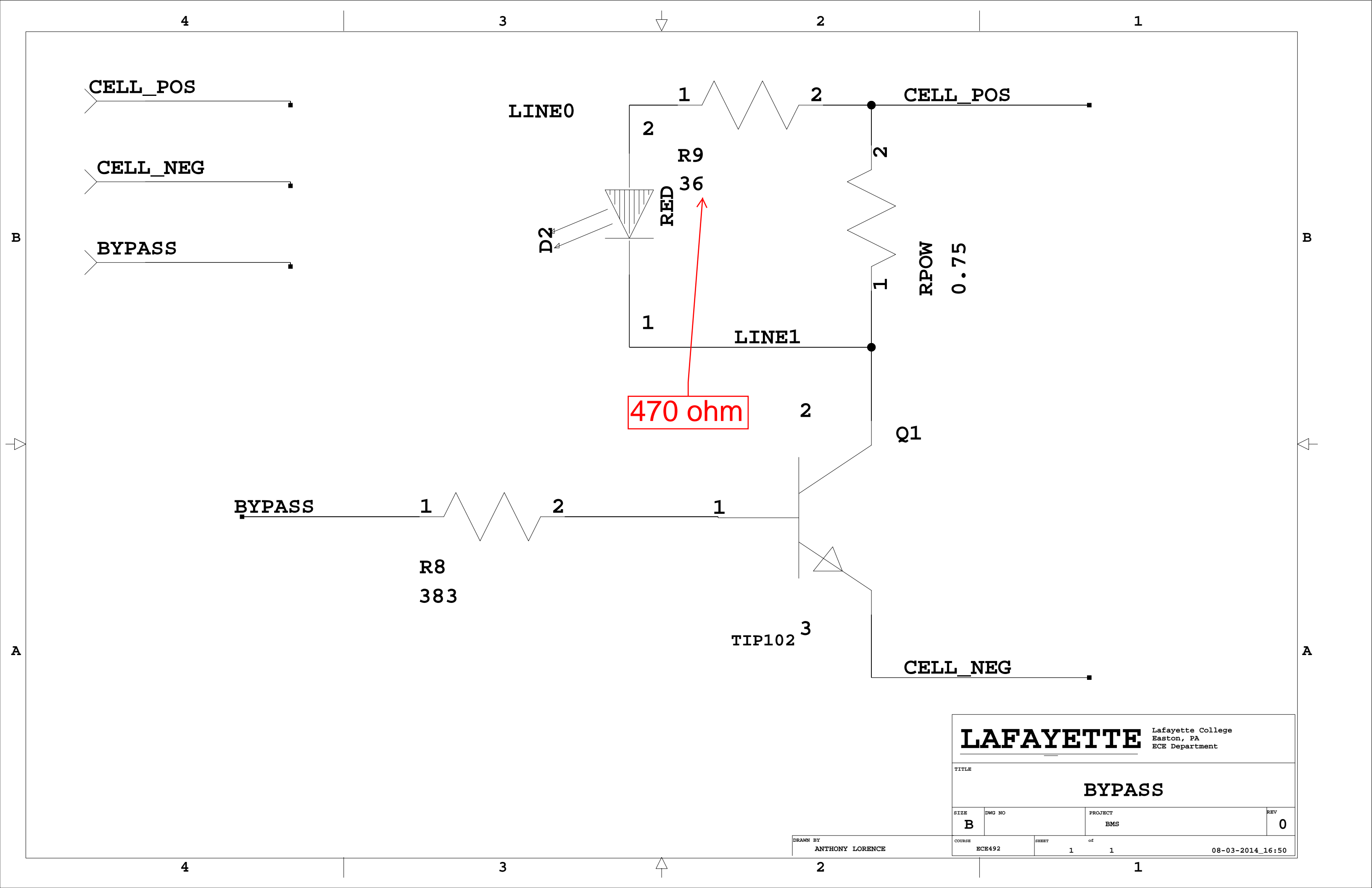
Q1

R8  
 383

TIP102

<b>LAFAYETTE</b>		Lafayette College Easton, PA ECE Department	
TITLE			
<b>BYPASS</b>			
SIZE	DWG NO	PROJECT	REV
B		BMS	0
COURSE	SHEET	of	
ECE492	1	1	
08-03-2014_16:50			

DRAWN BY  
 ANTHONY LORENCE



4

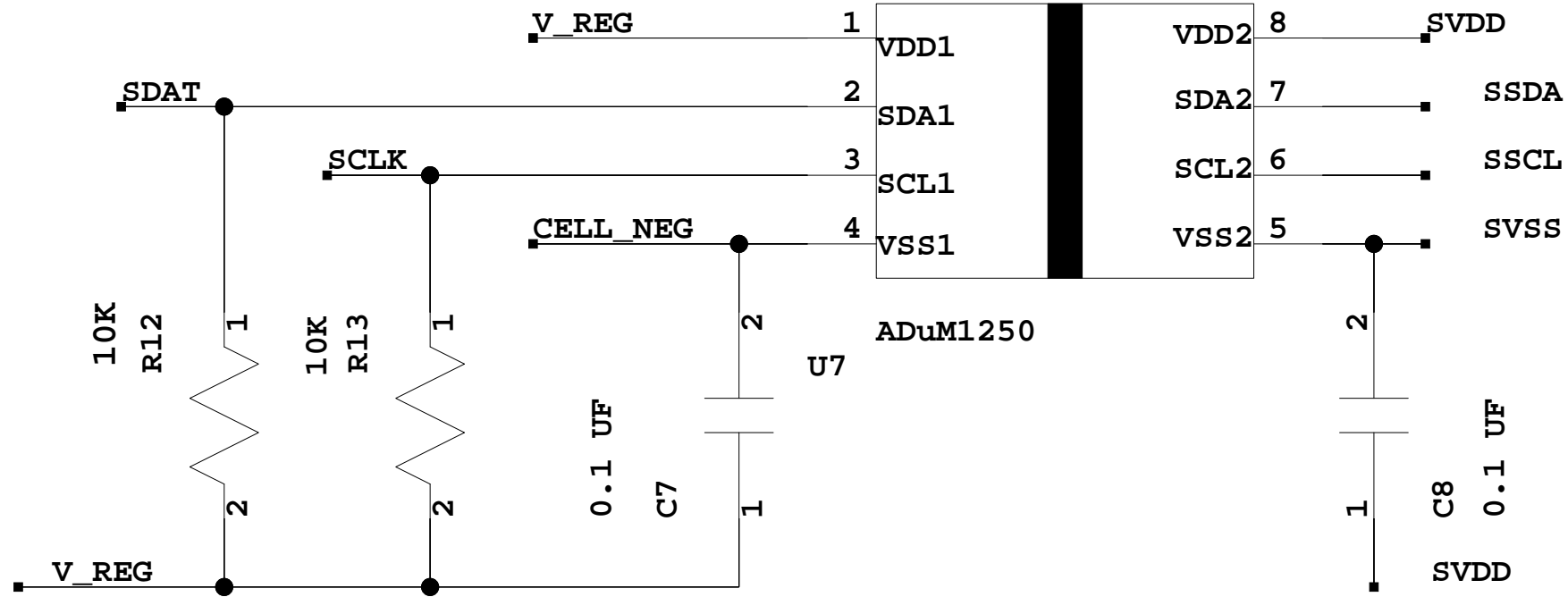
3

2

1

V\_REG  
 SCLK  
 SDAT  
 CELL\_NEG

SVDD  
 SSCL  
 SSDA  
 SVSS



<b>LAFAYETTE</b>		Lafayette College Easton, PA ECE Department	
TITLE			
<b>ISOLATOR</b>			
SIZE	DWG NO	PROJECT	REV
B		BMS	0
COURSE	SHEET	of	
ECE492	1	1	
08-03-2014_16:50			

DRAWN BY  
 ANTHONY LORENCE

4

3

2

1

4

3

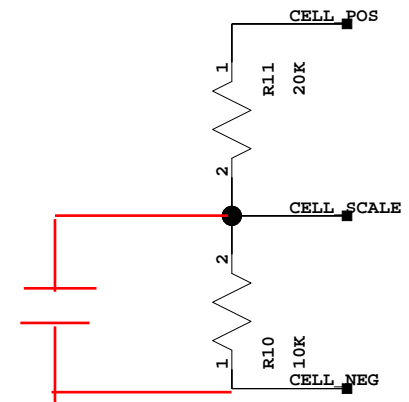
2

1

CELL\_POS  
 CELL\_NEG  
 V\_REG

1.8V Max VOLT  
 1.8V Max TEMP

Cell Voltage Divider  
 Scale Factor = 1/3  
 Cell Voltage Range 0-6 V

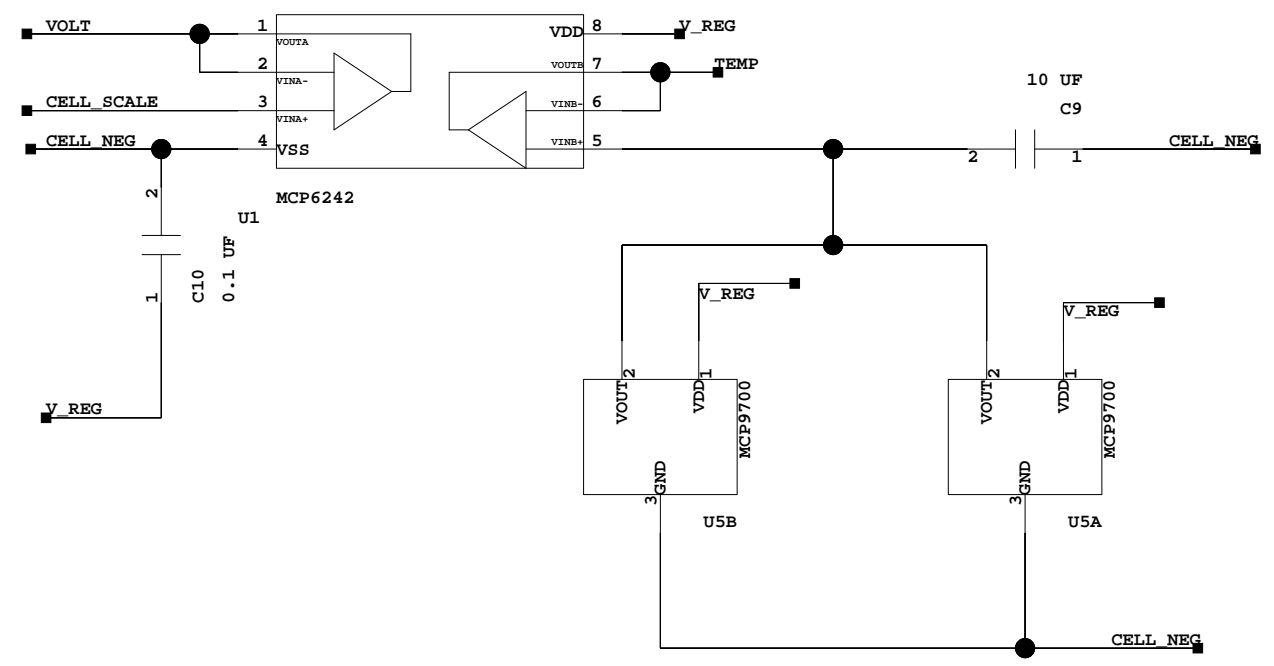


1 uF CAP  
 stabilizes  
 voltage  
 reading

Sub MCP6232 if  
 MCP6242 out of stock

Voltage Sensor  
 Unity Buffer

Temperature Sensor and Unity Buffer



Note: Populate only one location on board

<b>LAFAYETTE</b>				Lafayette College Easton, PA ECE Department
TITLE				
<b>SENSORARRAY</b>				
SIZE	DWG NO	PROJECT	REV	
B		BMS	0	
COURSE	SHEET	of		DATE
ECE492	1	1		08-03-2014_16:50

DRAWN BY  
 ANTHONY LORENCE

4

3

2

1