

PACK OVERVIEW - ASSEMBLY 3
5 MAY 2014

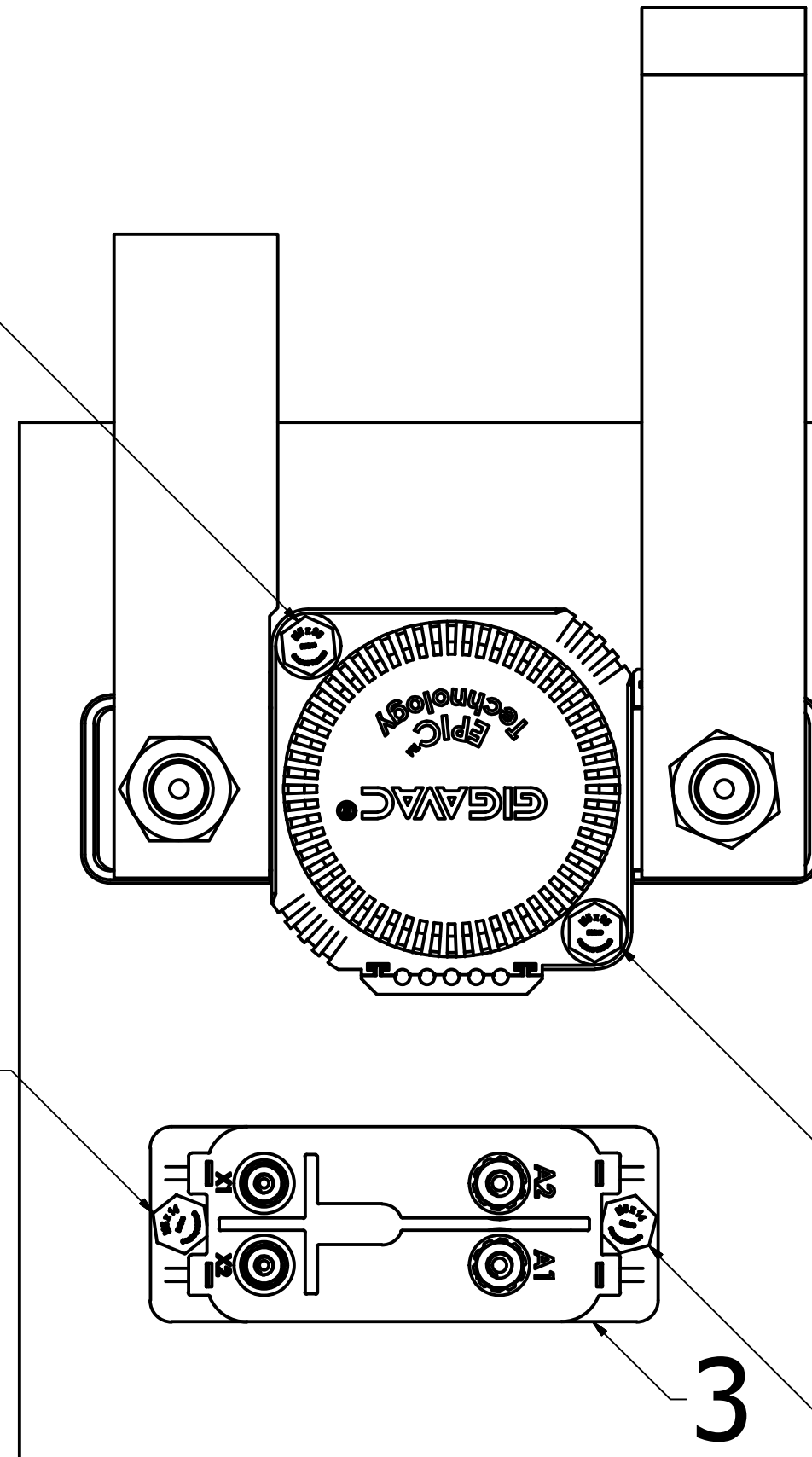
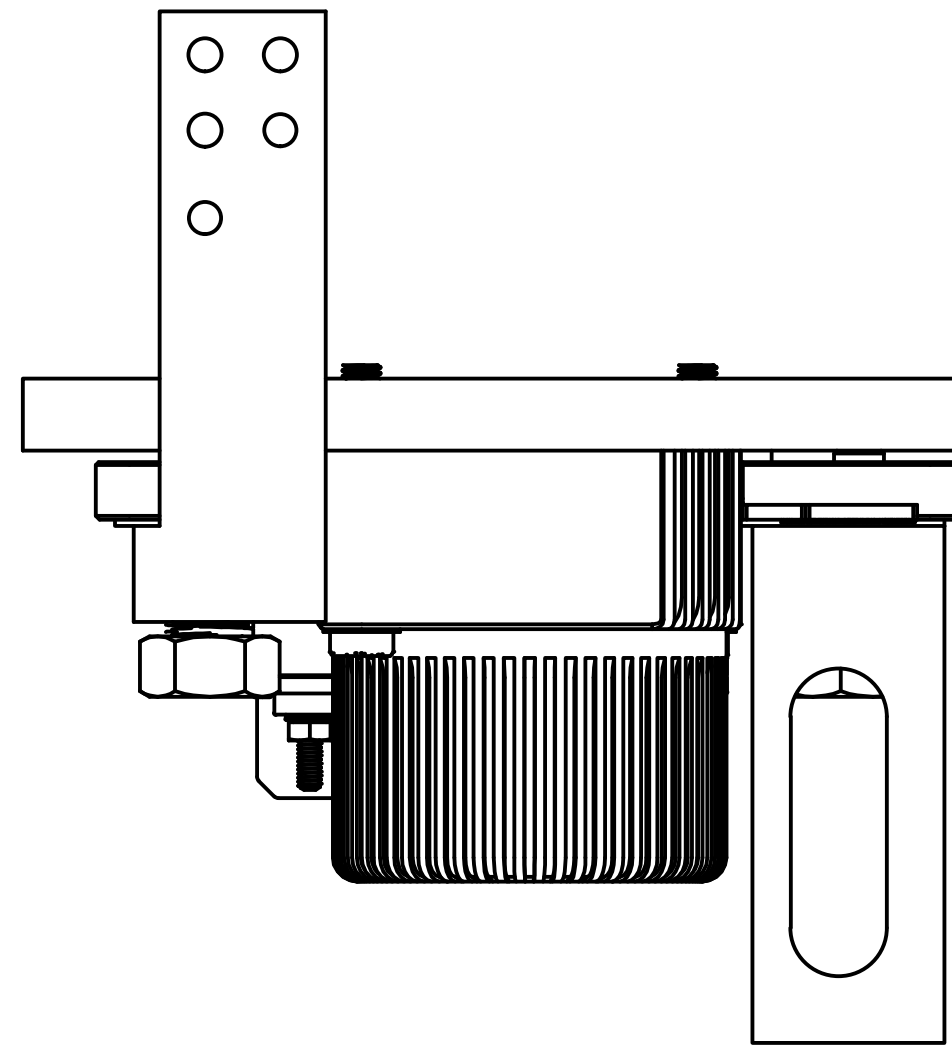
REFERENCE TABLE			
REFERENCE DESIGNATOR	ASSEMBLY/PART NO	DESCRIPTION	QUANTITY
1	GX14CB	AIR	1
2		M5x30 BUTTON HEAD HEX BOLTS	2
3	P105CDA	CHARGING RELAY	1
4		8/32 0.5" SOCKET HEAD BOLTS	2
5	L23	BATTERY END PLATE	1
6	L16	AIR CONNECTOR BRIDGE	1
7	L27	BATTERY AIR BRIDGE	1

D

C

B

A



7

6

1

5

2

3

4

4 3 2 1

D

C

B

A

4 3 2 1