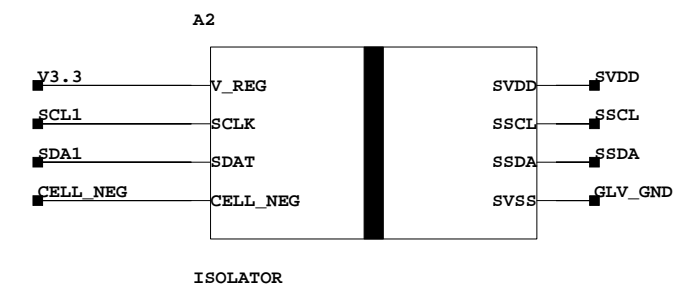
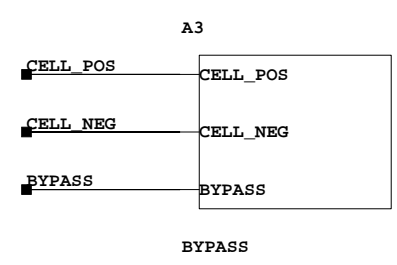
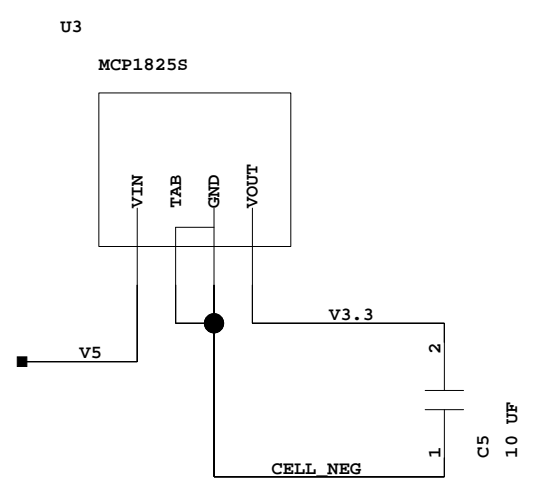
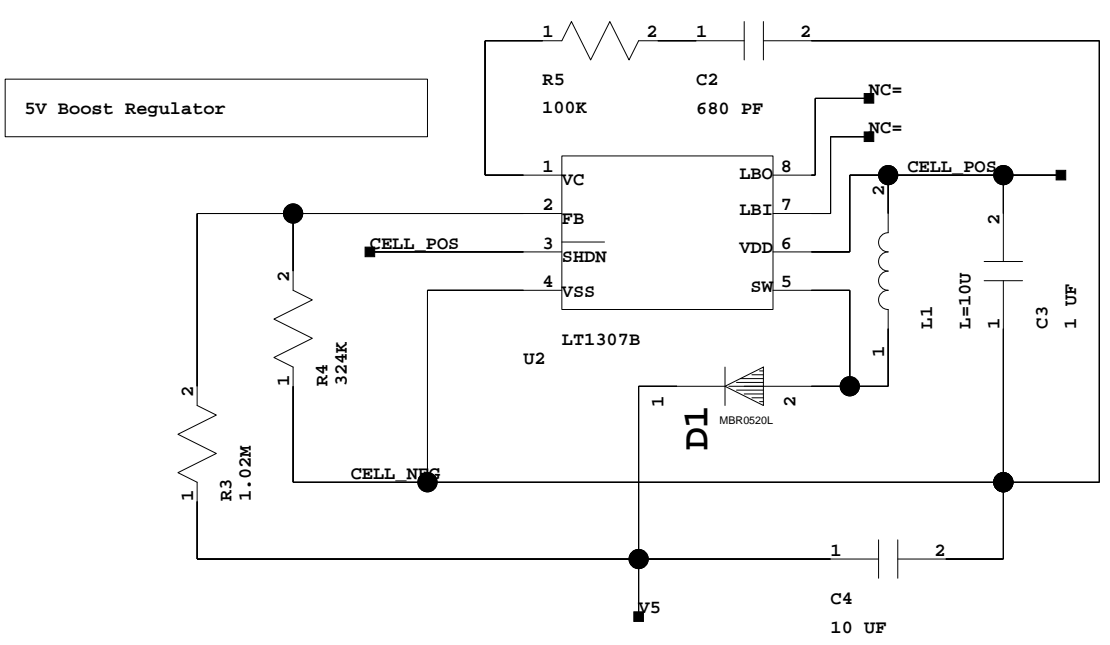
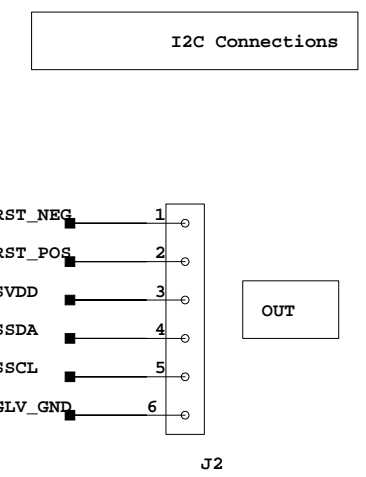
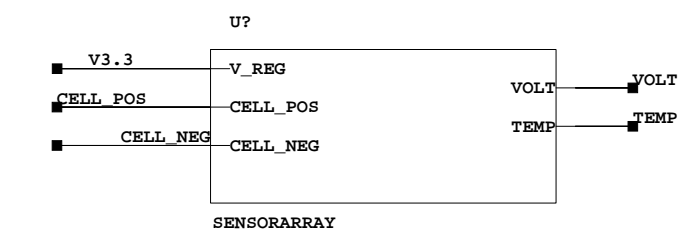
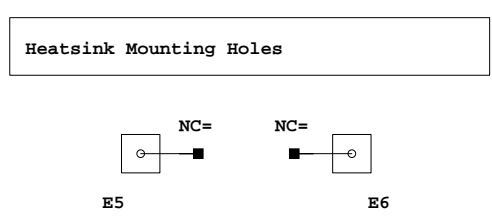
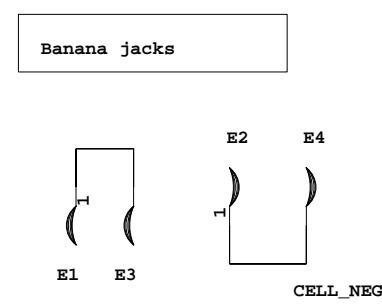
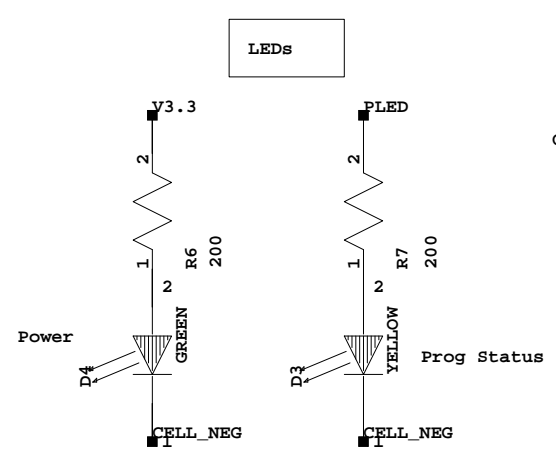
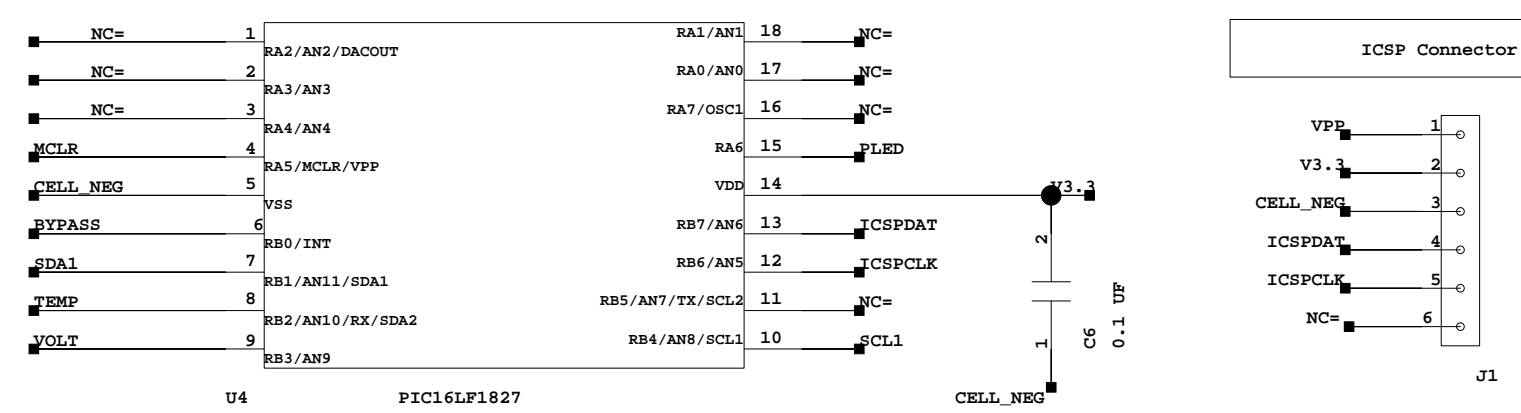
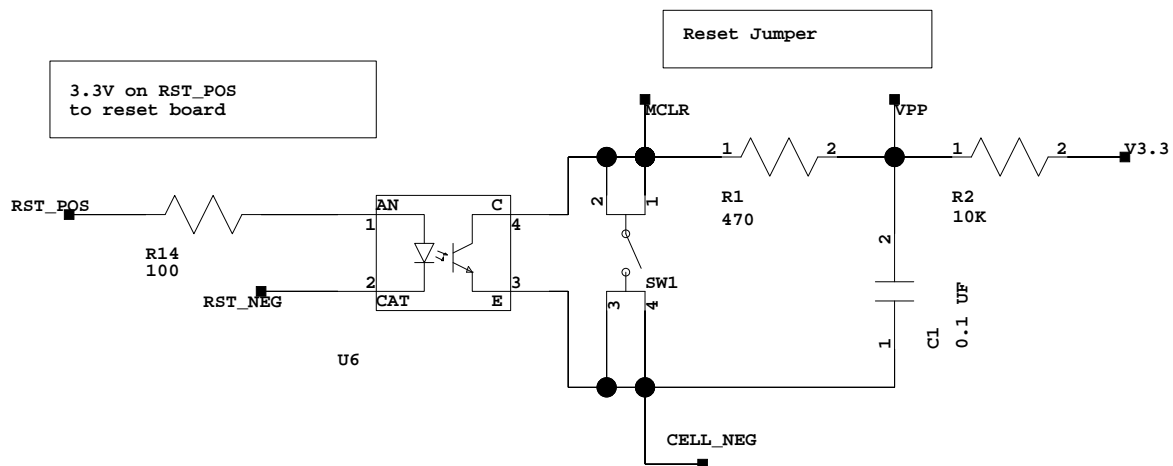


4

3

2

1



**LAFAYETTE** Lafayette College  
Easton, PA  
ECE Department

TITLE: **bmstop**

SIZE: <b>B</b>	DWG NO:	PROJECT: <b>LFEV-ESCM</b>	REV: <b>1</b>
COURSE: <b>ECE492</b>	SHEET: <b>1</b> of <b>4</b>	13-03-2014_15:01	

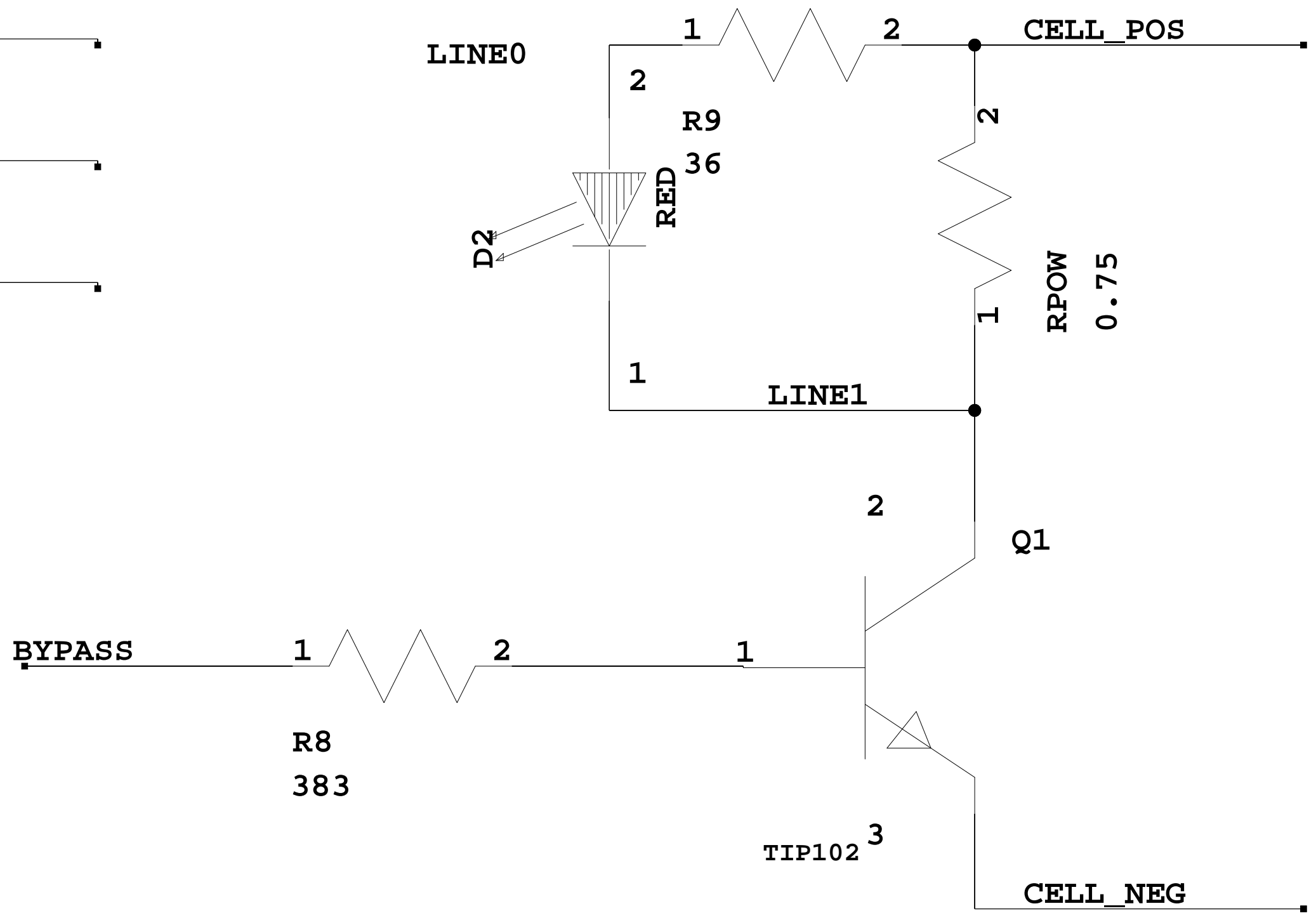
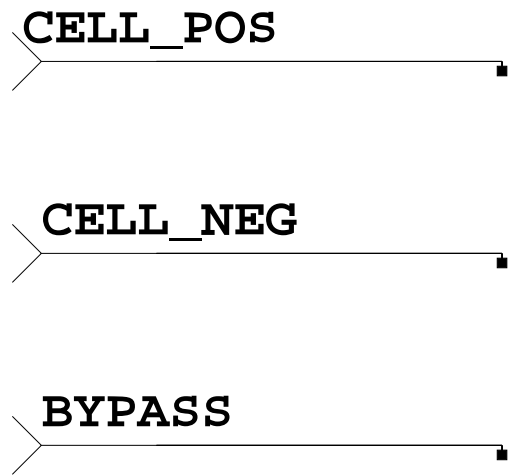
DRAWN BY: **BEN RICHARDS**

4

3

2

1



<b>LAFAYETTE</b>				Lafayette College Easton, PA ECE Department
TITLE				
<b>BYPASS</b>				
SIZE	DWG NO	PROJECT	REV	
B		BMS	0	
COURSE	SHEET	of		DATE
ECE492	1	1		08-03-2014_16:50

DRAWN BY  
ANTHONY LORENCE

4

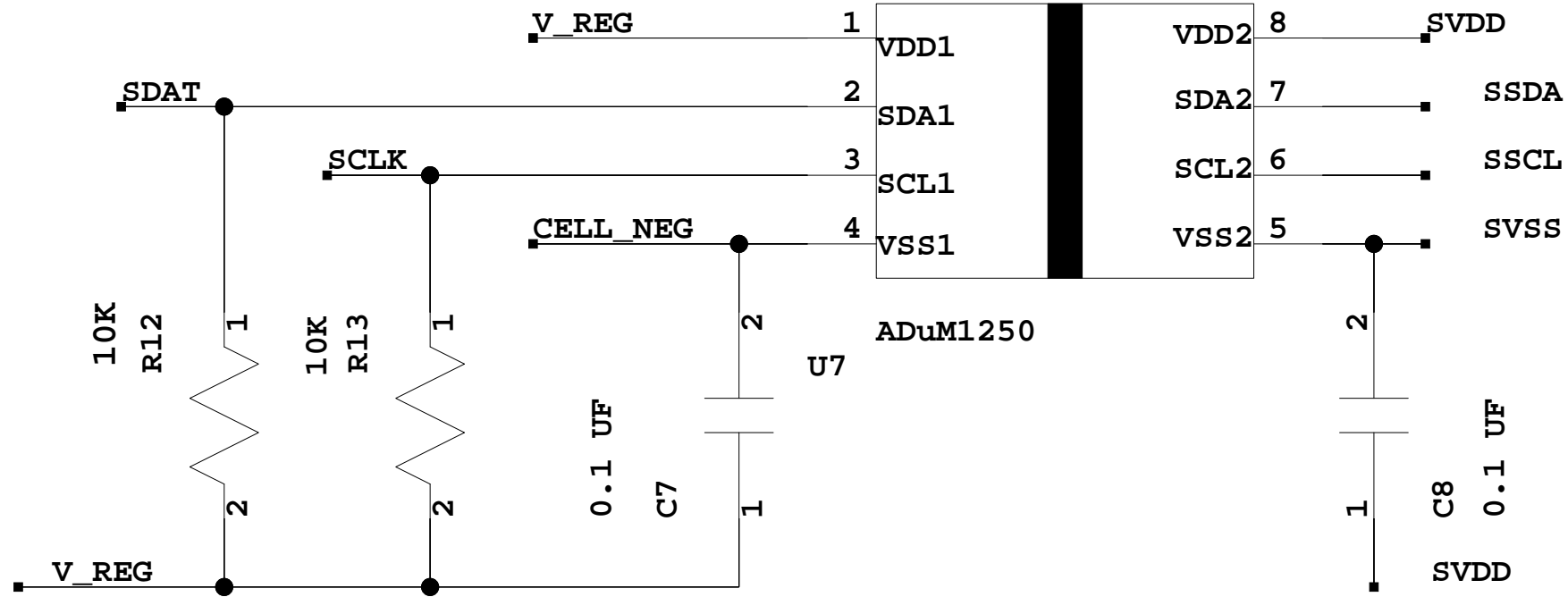
3

2

1

V\_REG  
 SCLK  
 SDAT  
 CELL\_NEG

SVDD  
 SSCL  
 SSSDA  
 SVSS



<b>LAFAYETTE</b>		Lafayette College Easton, PA ECE Department	
TITLE <b>ISOLATOR</b>			
SIZE <b>B</b>	DWG NO	PROJECT BMS	REV <b>0</b>
COURSE ECE492	SHEET 1	of 1	08-03-2014_16:50

DRAWN BY  
ANTHONY LORENCE

4

3

2

1

B

B

A

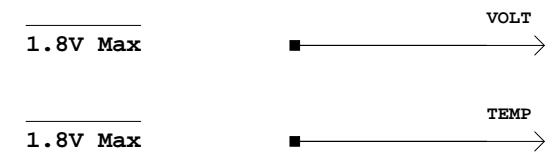
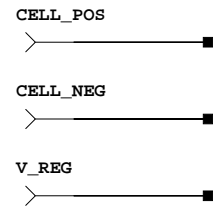
A

4

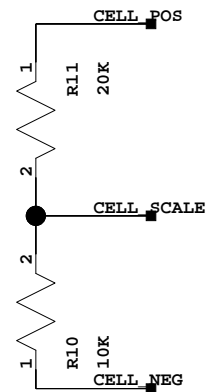
3

2

1



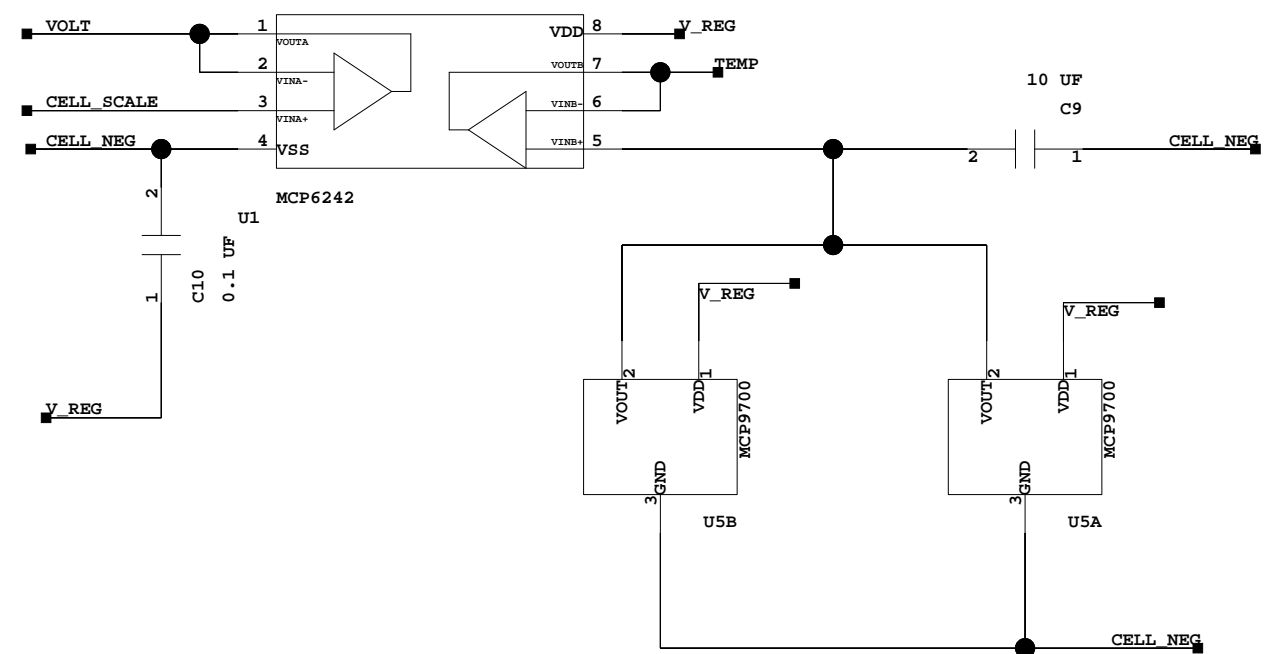
Cell Voltage Divider  
Scale Factor = 1/3  
Cell Voltage Range 0-6 V



Sub MCP6232 if  
MCP6242 out of stock

Voltage Sensor  
Unity Buffer

Temperature Sensor and Unity Buffer



Note: Populate only one location on board

<b>LAFAYETTE</b>		Lafayette College Easton, PA ECE Department	
TITLE <b>SENSORARRAY</b>			
SIZE <b>B</b>	DWG NO	PROJECT BMS	REV <b>0</b>
COURSE ECE492	SHEET 1	of 1	08-03-2014_16:50

DRAWN BY  
ANTHONY LORENCE

4

3

2

1

B

B

A

A