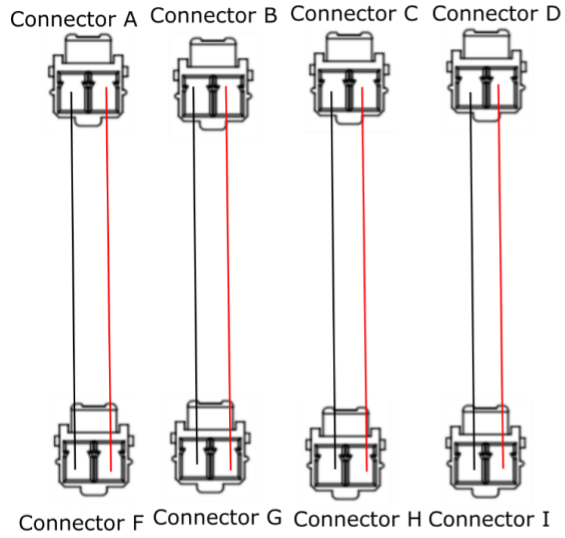
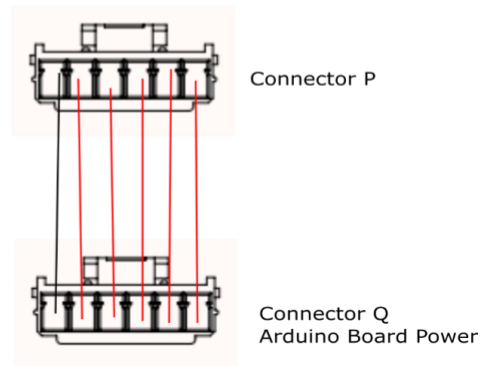
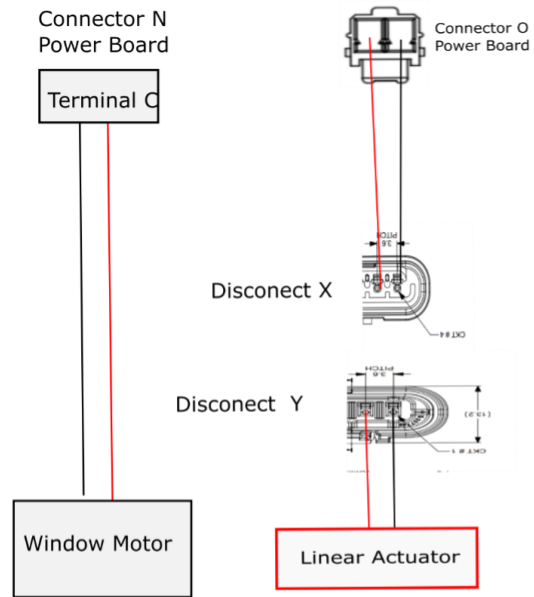
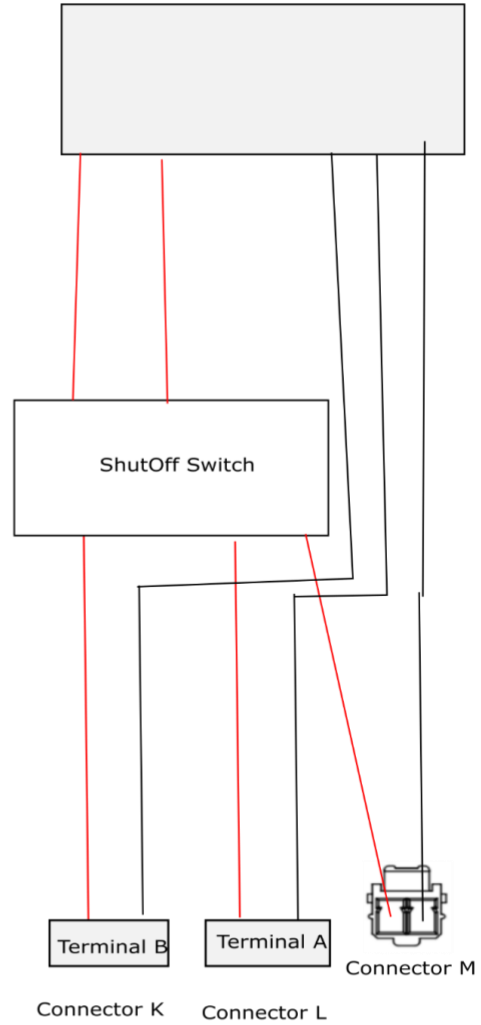


Power Board Wires

Motor Control Signals

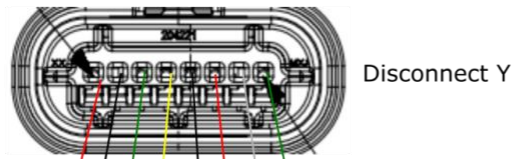
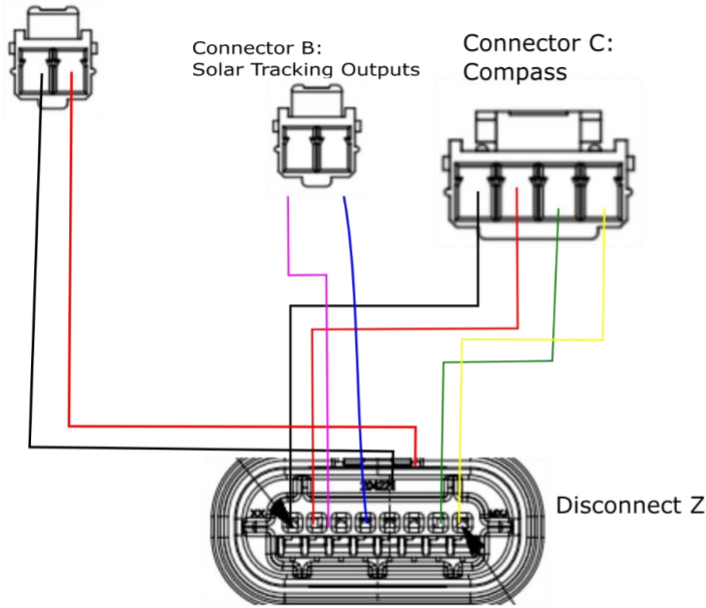


Battery

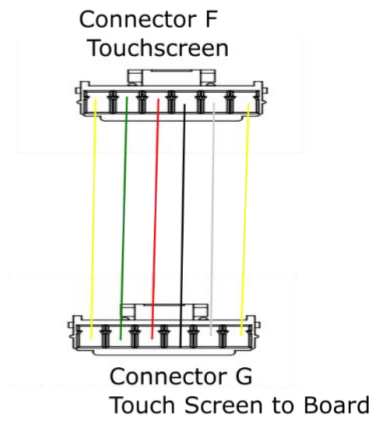
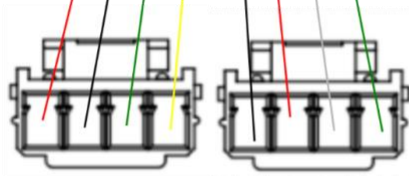


Sensor Wiring

Connector A:
Power and Ground(Solar Tracking)



Connector D
Solar Tracking
to Board



Connector H
Charge Controller to Board

