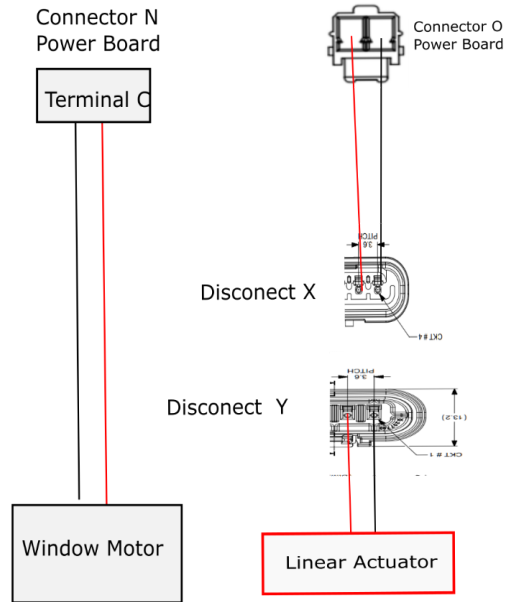
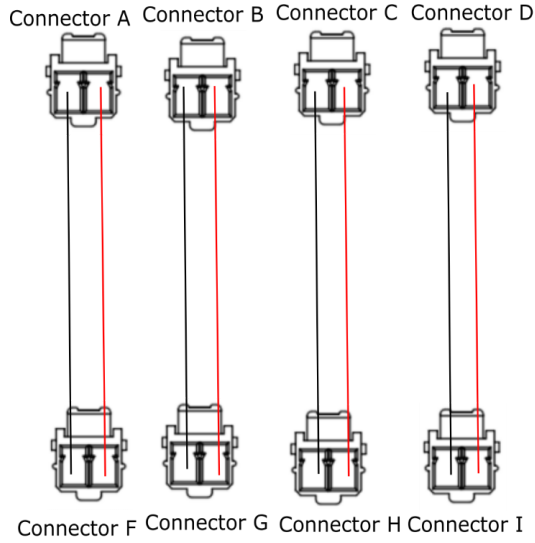
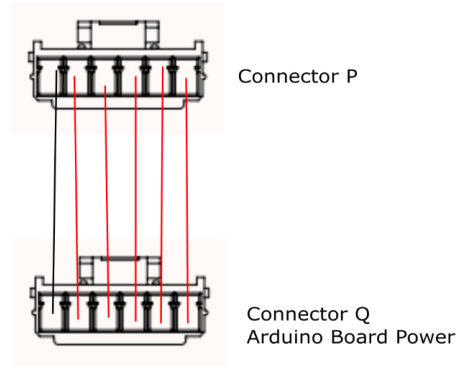
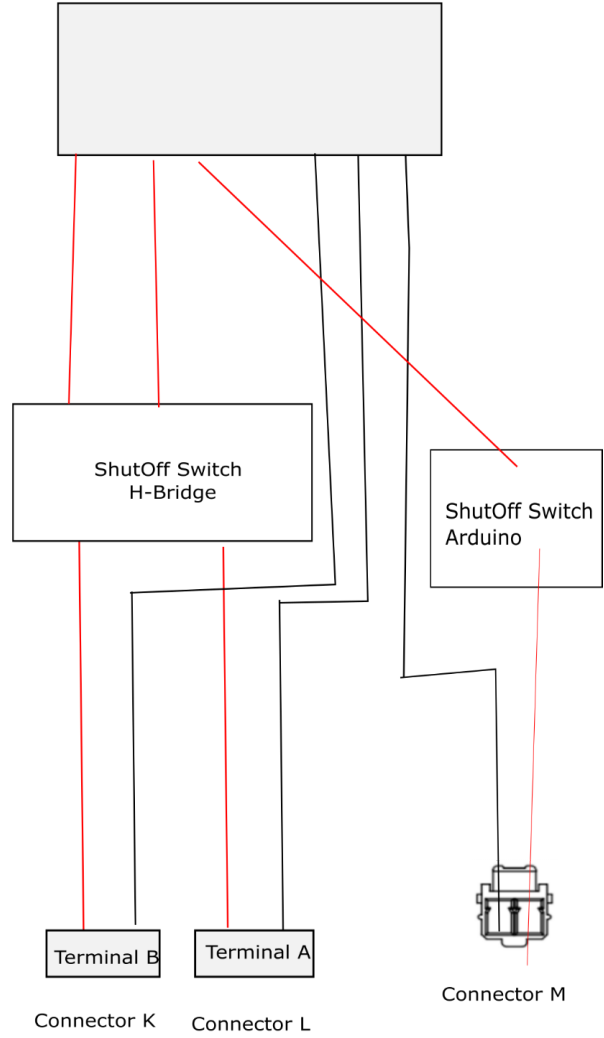


Power Board Wires

Motor Control Signals



Battery

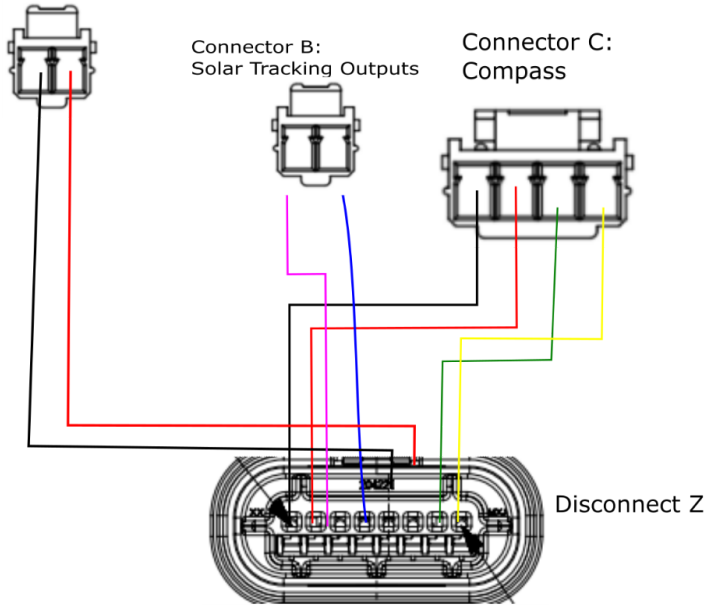


Sensor Wiring

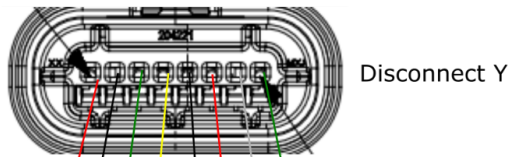
Connector A:
Power and Ground(Solar Tracking)

Connector B:
Solar Tracking Outputs

Connector C:
Compass

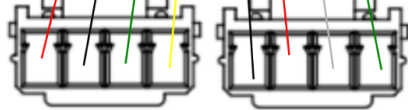


Disconnect Z



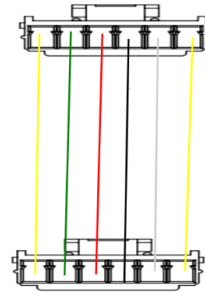
Disconnect Y

Connector D
Solar Tracking
to Board



Connector E
Compass to Board

Connector F
Touchscreen



Connector G
Touch Screen to Board

Connector H
Charge Controller to Board

