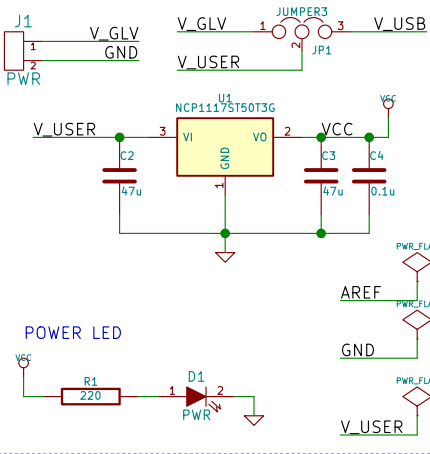


POWER CONNECTIONS

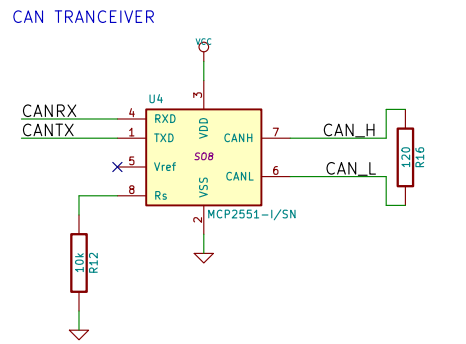
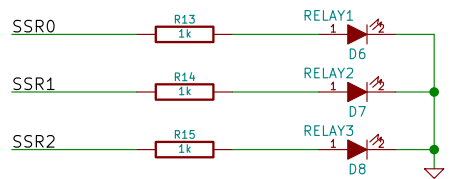
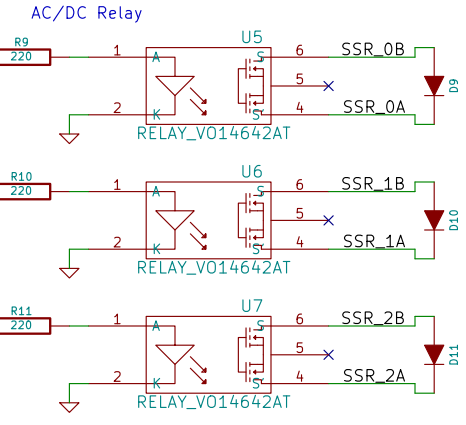
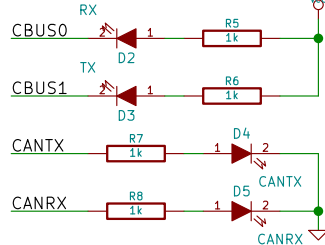
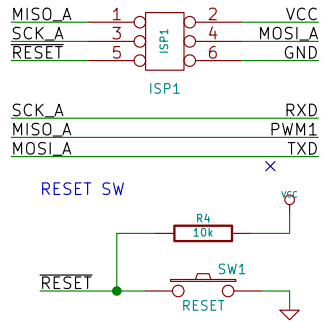


JP1 Jumper Shunt
P/N: S9001-ND
Supplier: Digikey

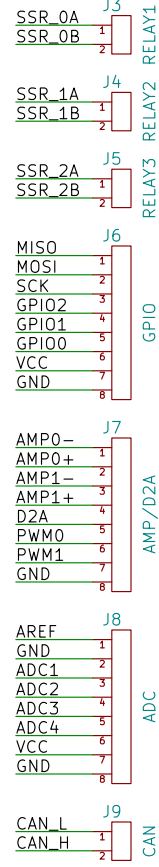
ATMEGA 16M1 MICROCONTROLLER



PROGRAMMING PORT



I/O HEADERS



ATMEGA 16M1 Automotive AVR Engineer: John Gehrig Lafayette College	
Sheet: / File: ATMEGA16M1.sch	
Title: LFEF CAN Communication Board	
Size: USLetter	Date: 20 apr 2015
KiCad E.D.A. kicad (after 2015-may-25 BZR unknown)-product	Rev: 0
	Id: 1/1