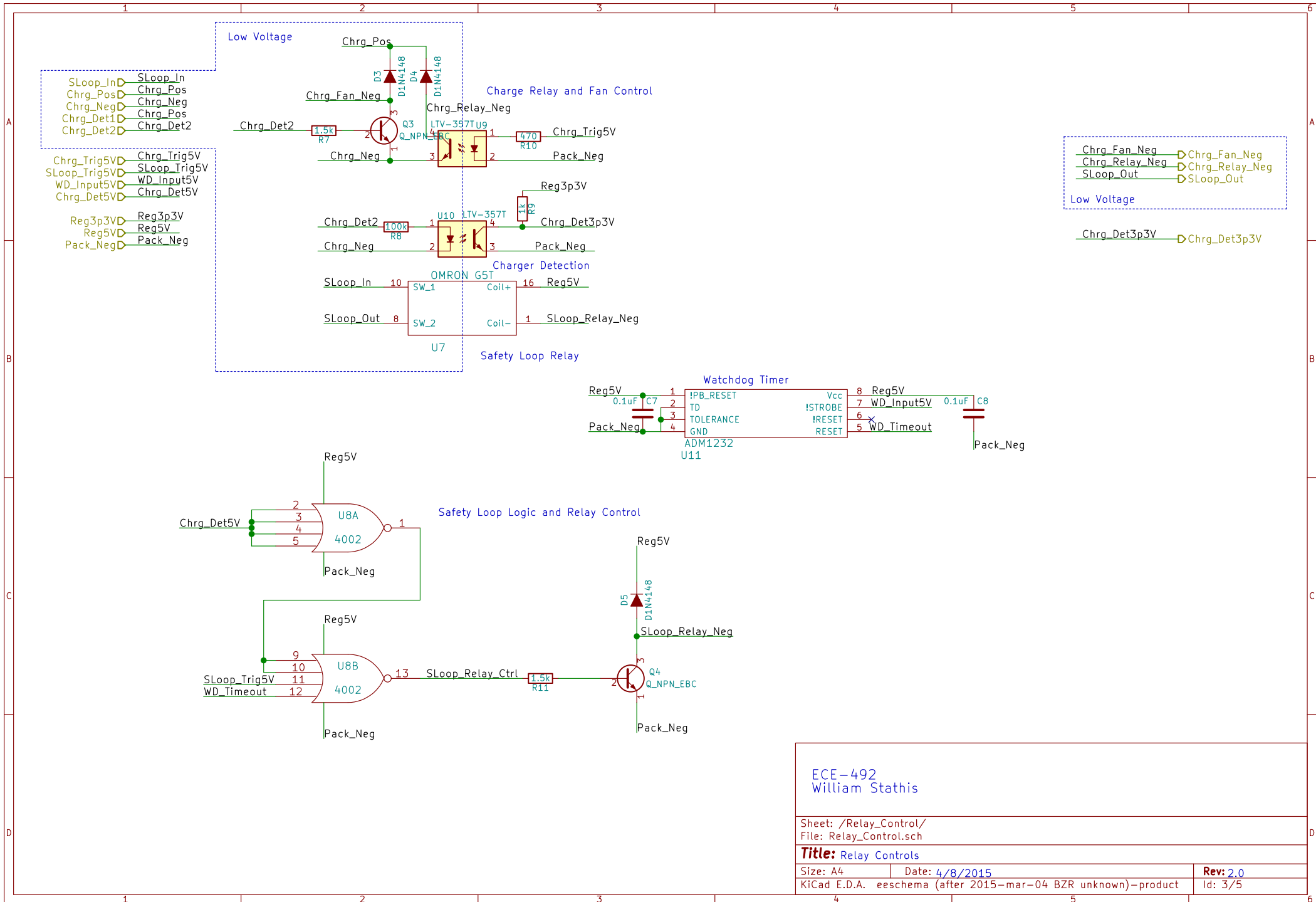


ECE-492 William Stathis	
Sheet: /Communications/ File: Communications.sch	
Title: PacMan BoB Communications	
Size: A4	Date: 4/8/2015
KiCad E.D.A. eeschema (after 2015-mar-04 BZR unknown)-product	Rev: 2.0 Id: 2/5



ECE-492
William Stathis

Sheet: /Relay_Control/
File: Relay_Control.sch

Title: Relay Controls

Size: A4 Date: 4/8/2015

KiCad E.D.A. eeschema (after 2015-mar-04 BZR unknown)-product

Rev: 2.0

Id: 3/5

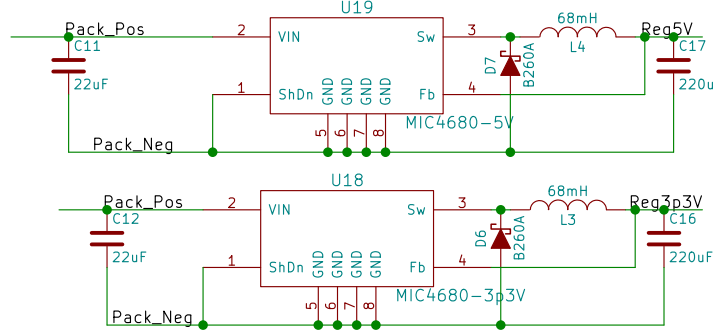
VTemp_Sensor1D VTemp_Sensor1
 VTemp_Sensor2D VTemp_Sensor2
 VTemp_Sensor3D VTemp_Sensor3
 VSensor4D VSensor4

 Pack_PosD Pack_Pos
 Pack_NegD Pack_Neg

 Shunt_PosD Shunt_Pos
 Shunt_NegD Shunt_Neg

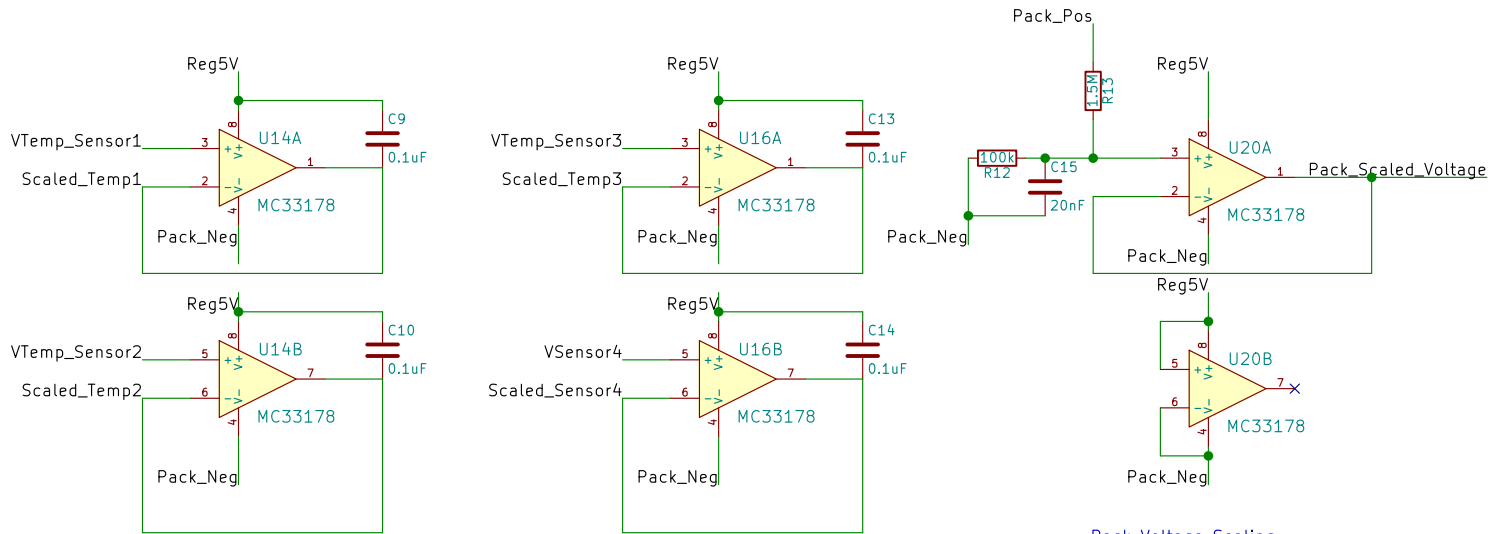
 I2C_ClkD I2C_Clk
 I2C_DataD I2C_Data

Voltage Regulators



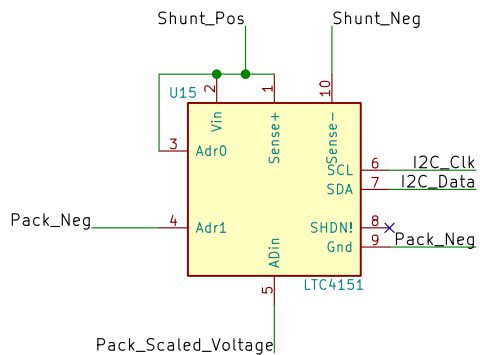
Reg5V —> Reg5V
 Reg3p3V —> Reg3p3V

 Scaled_Temp1 —> Scaled_Temp1
 Scaled_Temp2 —> Scaled_Temp2
 Scaled_Temp3 —> Scaled_Temp3
 Scaled_Sensor4 —> Scaled_Sensor4

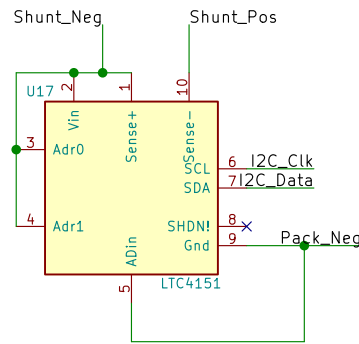


Pack Temperature Sensor Scaling Block

Pack Voltage Scaling



Discharge Current and Pack Voltage Sensor



Charge Current Sensor

ECE-492
William Stathis

Sheet: /Sensors_and_Voltage_Reg/
File: Sensors_and_Voltage_Reg.sch

Title: Sensors and Voltage Regulators

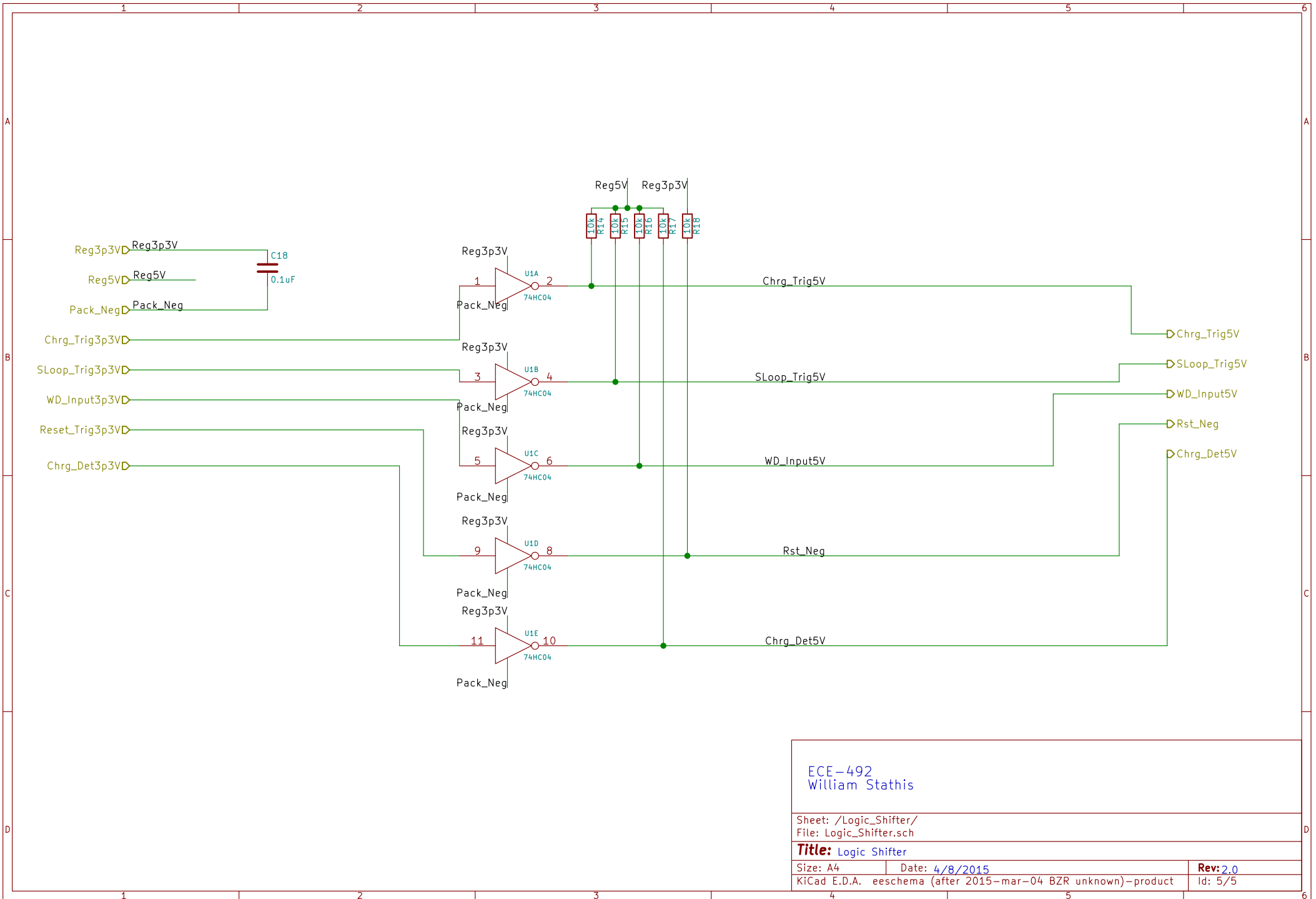
Size: A4

Date: 4/8/2015

Rev: 2.0

KiCad E.D.A. eschema (after 2015-mar-04 BZR unknown)-product

Id: 4/5



ECE-492
William Stathis

Sheet: /Logic_Shifter/
File: Logic_Shifter.sch

Title: Logic Shifter

Size: A4 Date: 4/8/2015

Rev: 2.0

KiCad E.D.A. eeschema (after 2015-mar-04 BZR unknown)-product

Id: 5/5